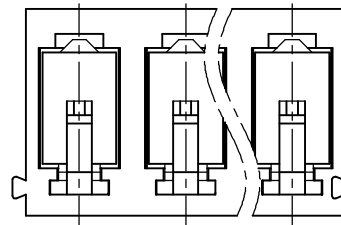
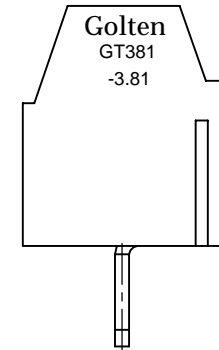
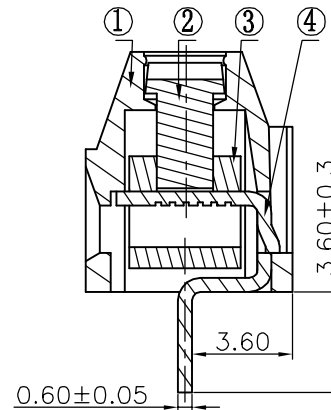
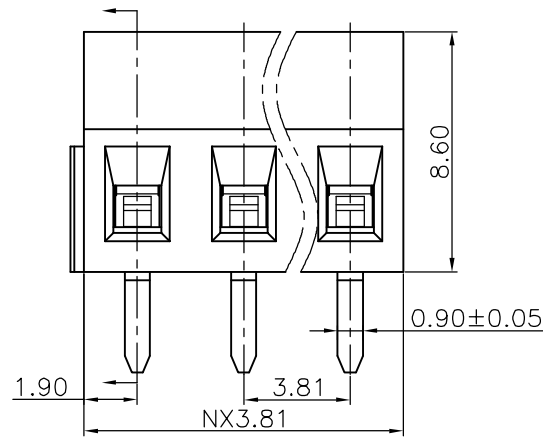
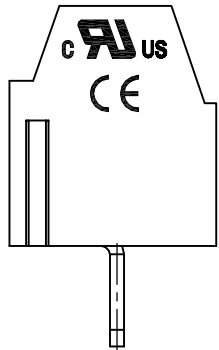


Notes:

1. Pitch: 3.81mm, Poles: 2-XXP
2. Rated voltage/current: UL 300V/10A
VDE 130V/10A
3. Operation temperatures: -40°C ~ +105°C
4. Withstanding Voltage: AC2000V/1Min
5. Insulation Resistance: 5000MΩ/DC1000V
6. Wire Range: 16~26AWG, 1.0mm²
7. Max. Torque Value: M2, 2.04kgf.cm
8. Undimensioned Tolerances:

Pitch range in mm			Nominal dimension range in mm				—
to 6	over 6 to 10	over 10 to 24	to 30	over 30 to 60	over 60 to 100	over 100 to 150	∩ ∇
±0.10	±0.15	±0.25	±0.2	±0.3	±0.5	±0.7	±1.0



4	GT381 Pin header		XX	Phosphor bronze	SnCe
3	GT381 Cage		XX	Brass	Ni plated
2	GT381 Screw		XX	Steel	Cr ³⁺ Zn

ITEM	NAME OF PART	NO. OF PART	Q'TY	MATERIAL	NOTES
1	GT381-3.81-Housing	1	PA66	UL94V-0	
TOLERANCES EXCEPT AS NOTED MM .0 ± ± .00 ± ± .000 ± ±		DFTO ZHUWM DATE 14/11/05" CHKD DATE MFO DATE APPVL DATE		Golten 宁波冠泰电子有限公司 NINGBO GOLTEN ELECTRONICS CO.,LTD.	
ANGLES ± 1' THIRD ANGLE PROJECTION		G.E : FINISH : SCALE : 1:1		NAME GT381-3.81-XXP-1Y-00A(H) DRAWING NO. /PART NO. SIZE A3 REV	
DO NOT SCALE DRAWING				SHEET 1 OF 1	

8

7

6

5

4

3

2

1

H

G

F

E

D

C

B

A