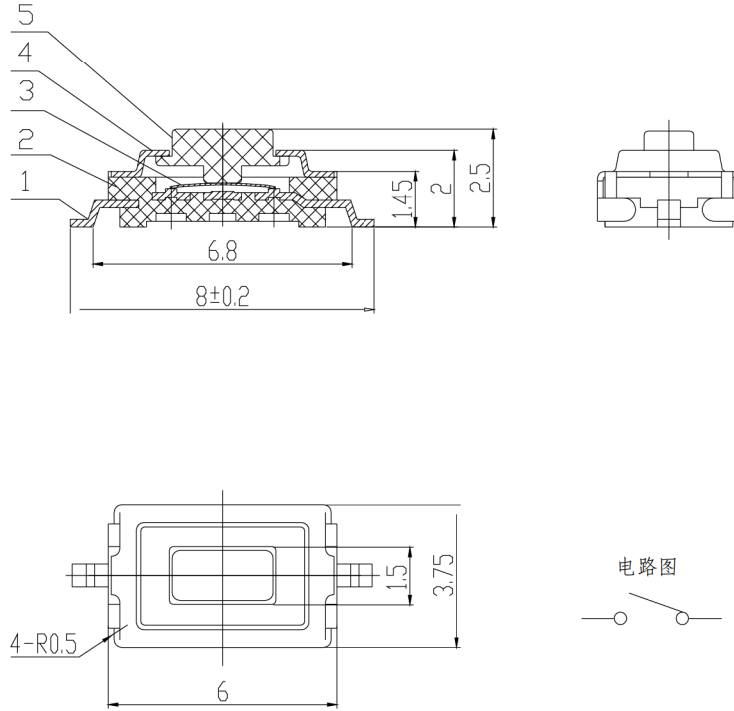


## APPROVAL SPECIFICATIONS

CUSTOMER	CUSTOMER'S P/N	GYE'S P/N	PRODUCT	REVISION
		KAN0441B	TACT SWITCH	B



General tolerance:  $\pm 0.1$ mm

NO.	NAME	MATERIAL	NATIONALITY	QTY.	FINISHING
1	TERMINAL	Phosphor bronze	China	1	Silver plating
2	CASE	FR52	USA	1	White
3	CONTACT	STS 301R	Korea	1	Contact side silver plating
4	COVER	SUS 301	China	1	
5	STEM	FR52	USA	1	Red

APPROVE BY	黄蜀东 09.10.25	CHECKED BY	关林 09.10.25	PRPARE BY	曹盖 09.10.25
------------	--------------	------------	-------------	-----------	-------------

## APPROVAL SPECIFICATIONS

CUSTOMER	CUSTOMER'S P/N	GYE'S P/N	PRODUCT	REVISION
		KAN0441B	TACT SWITCH	B

**8. 生产工场:** The country of origin

WENZHOU GANGYUAN ELECTRONICS CO.,LTD

NO.392 NING KANG EAST ROAD OF YUE QING CITY, ZHE JANG

**9. 包装:** Packing

产品规格	包装袋 PACKING BAG		内包装箱 INTER BOX		外包装箱 OUT BOX		净重 (Kg)	毛重 (Kg)
	规格(Cm)	数量(pcs)	规格(Cm)	袋数	规格(Cm)	盒数		
KAN0441B 025	14.5×14.5	1000	21.6×16.5×4.8	10	44.5×35×28	20	17.0	19.862

APPROVE BY	黄蜀东 09.10.15	CHECKED BY	关林 09.10.15	PRPARE BY	曹盖 09.10.15
------------	--------------	------------	-------------	-----------	-------------