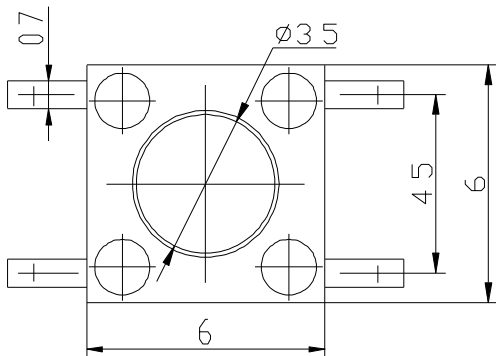
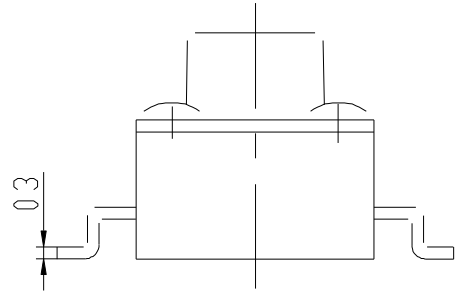
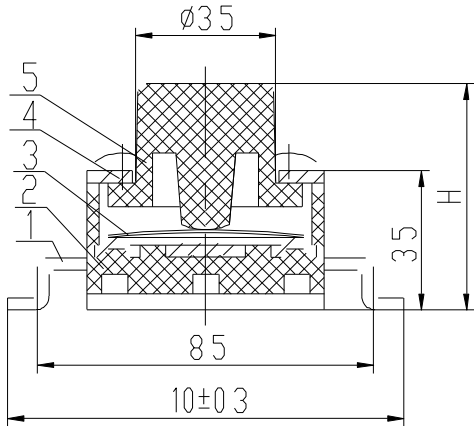
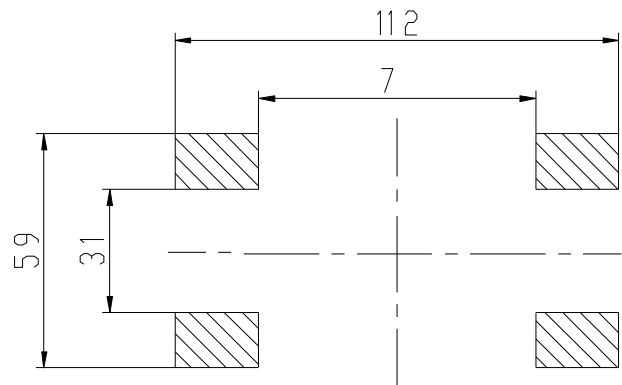


CUSTOMER	CUSTOMER'S P/N	GYE'S P/N	PRODUCT	REVISION
		KAN0641	TACT SWITCH	A



P.C.B LAND PATTERN



General tolerance : ±0.1mm

NO.	NAME	MATERIAL	NATIONALITY	QTY.	FINISHING
1	TERMINAL	Brass	China	1	Silver plating
2	CASE	FR52	USA	1	Black
3	CONTACT	Phosphor bronze	Korea	1	Contact side silver plating
4	COVER	SPCC-SD	China	1	CuSn plating
5	STEM	FR52	USA	1	

APPROVE BY	杨过 11.03.10	CHECKED BY	刘三军 11.03.10	PRPARE BY	曹盖 11.03.10
------------	-------------	------------	--------------	-----------	-------------