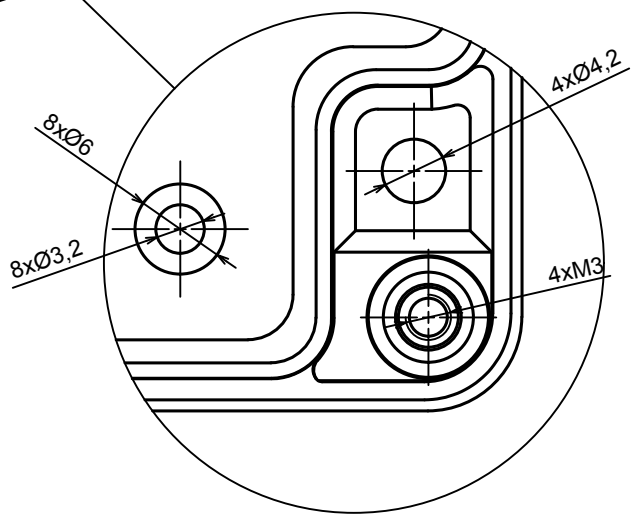


A |

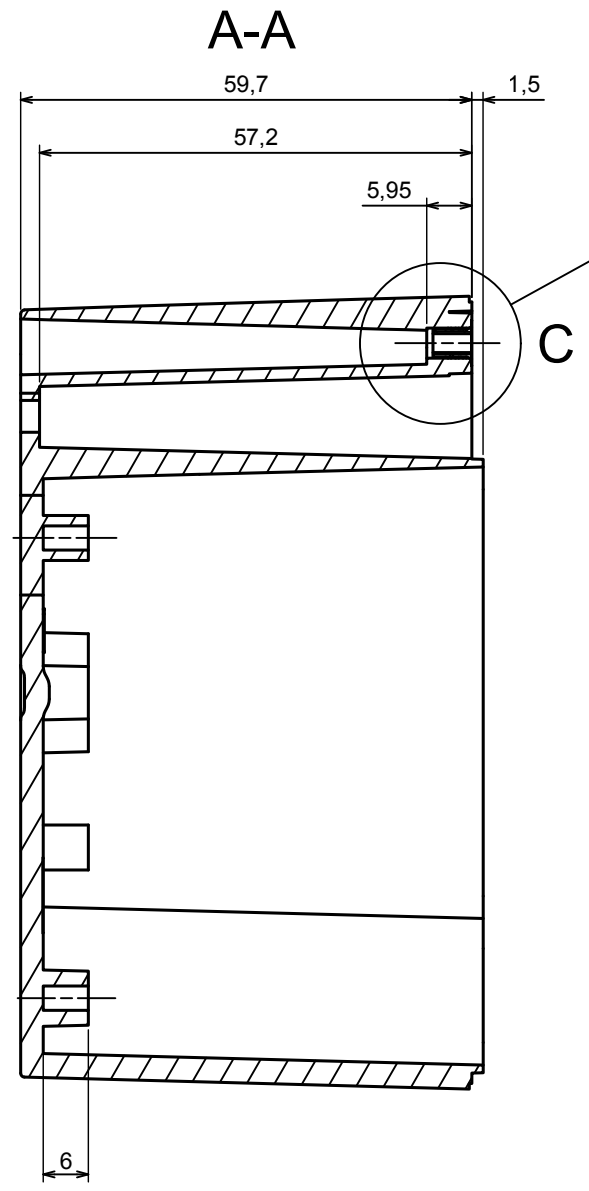
B

B (2:1)

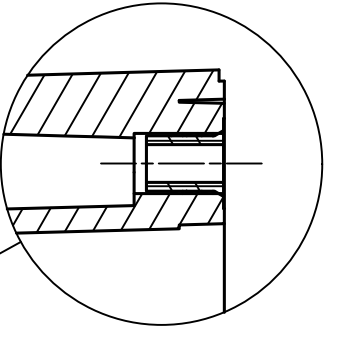
A |

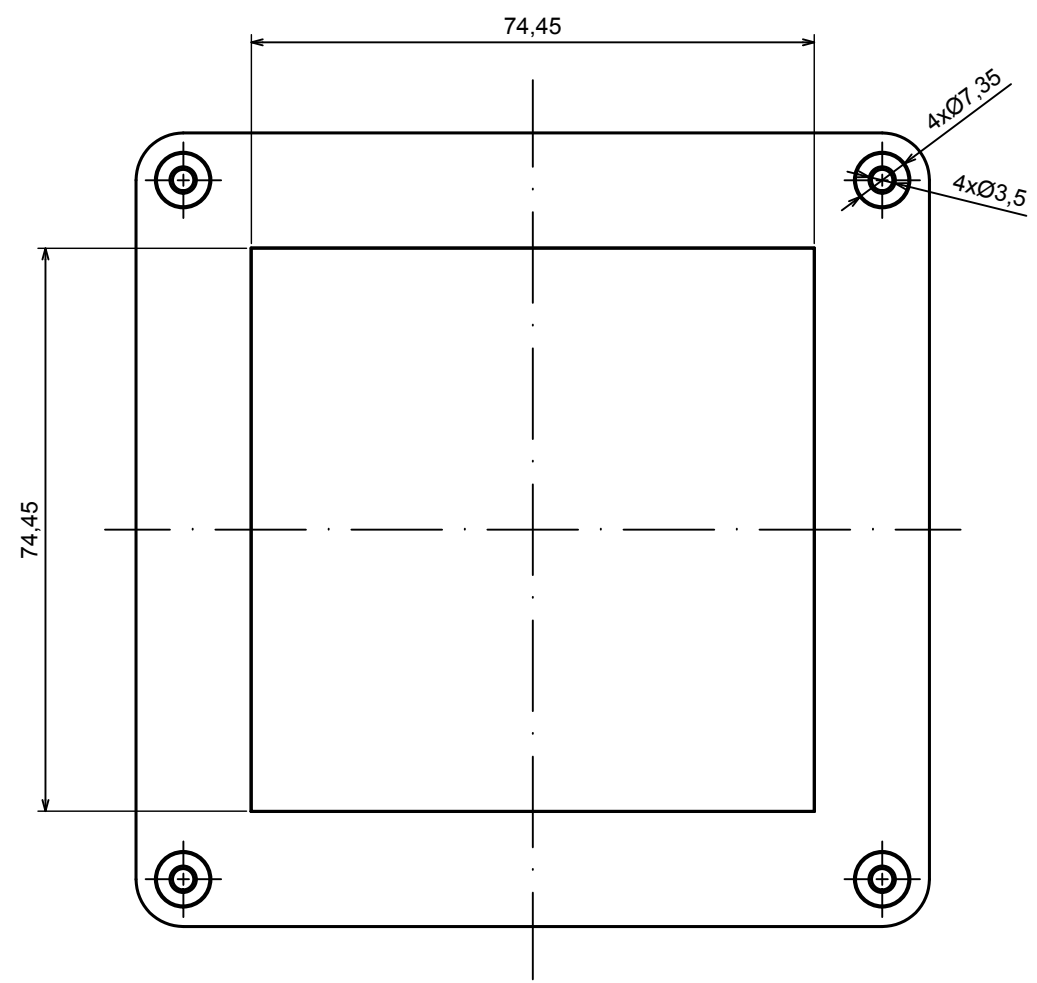
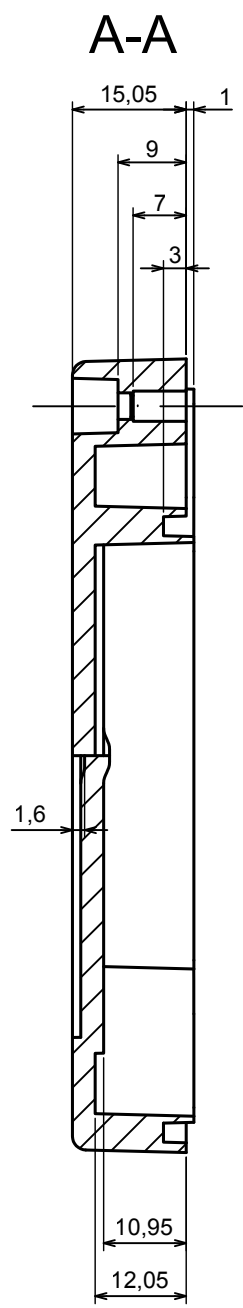
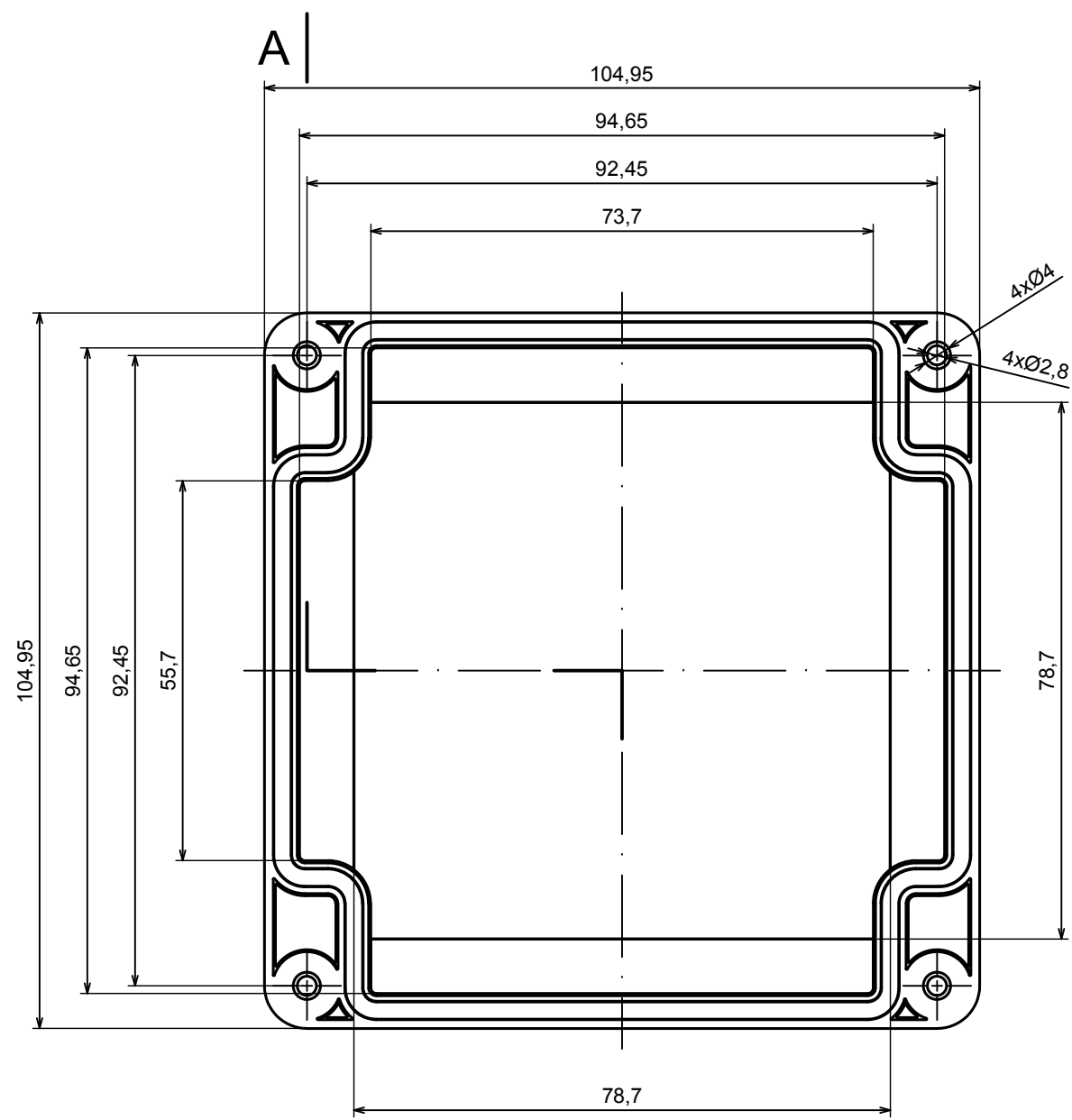


C (2:1)



C





A |