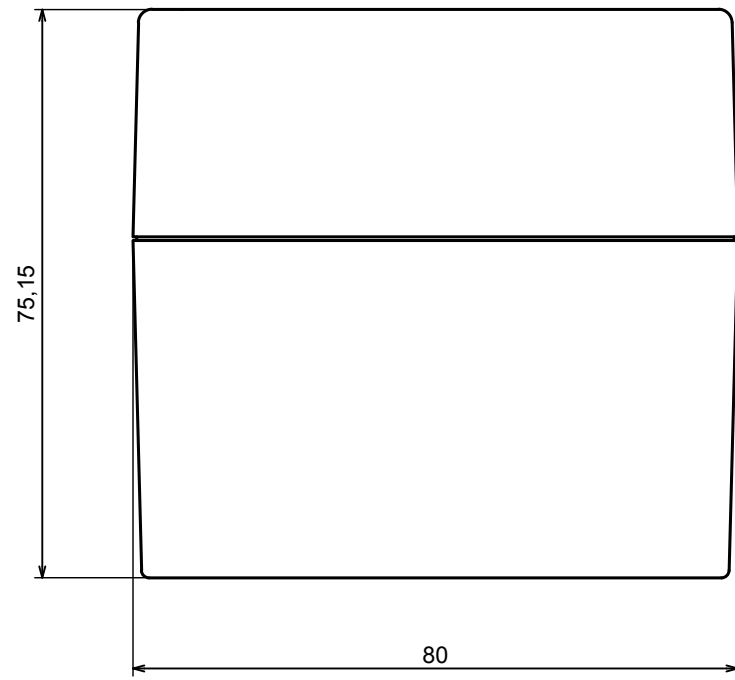
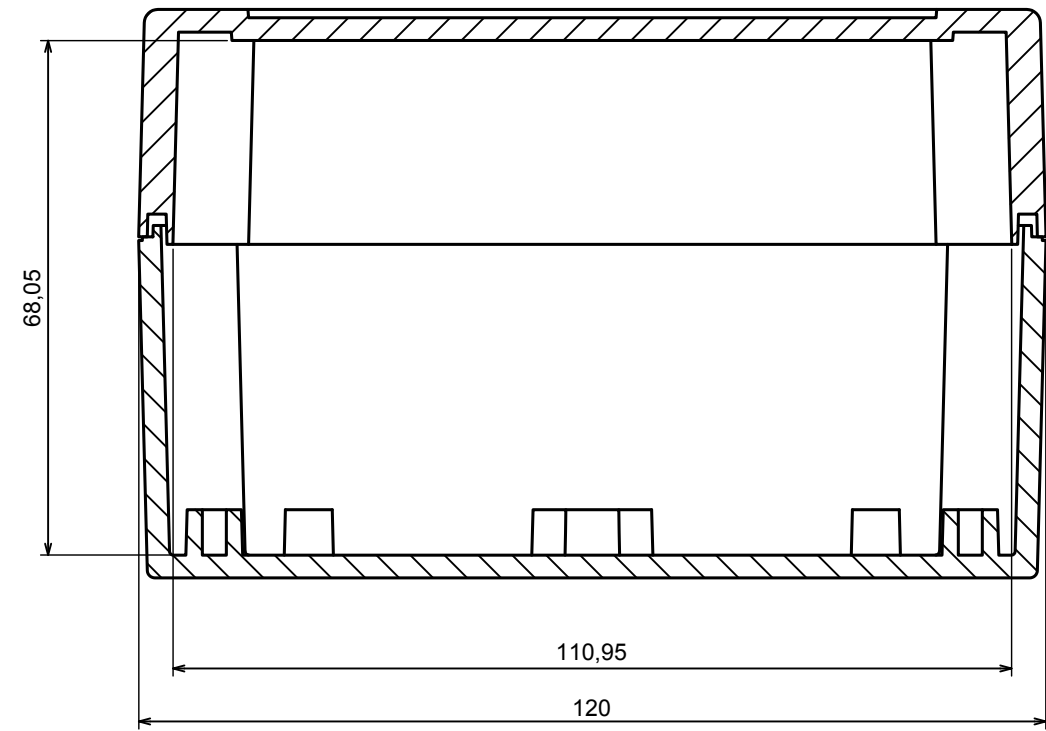


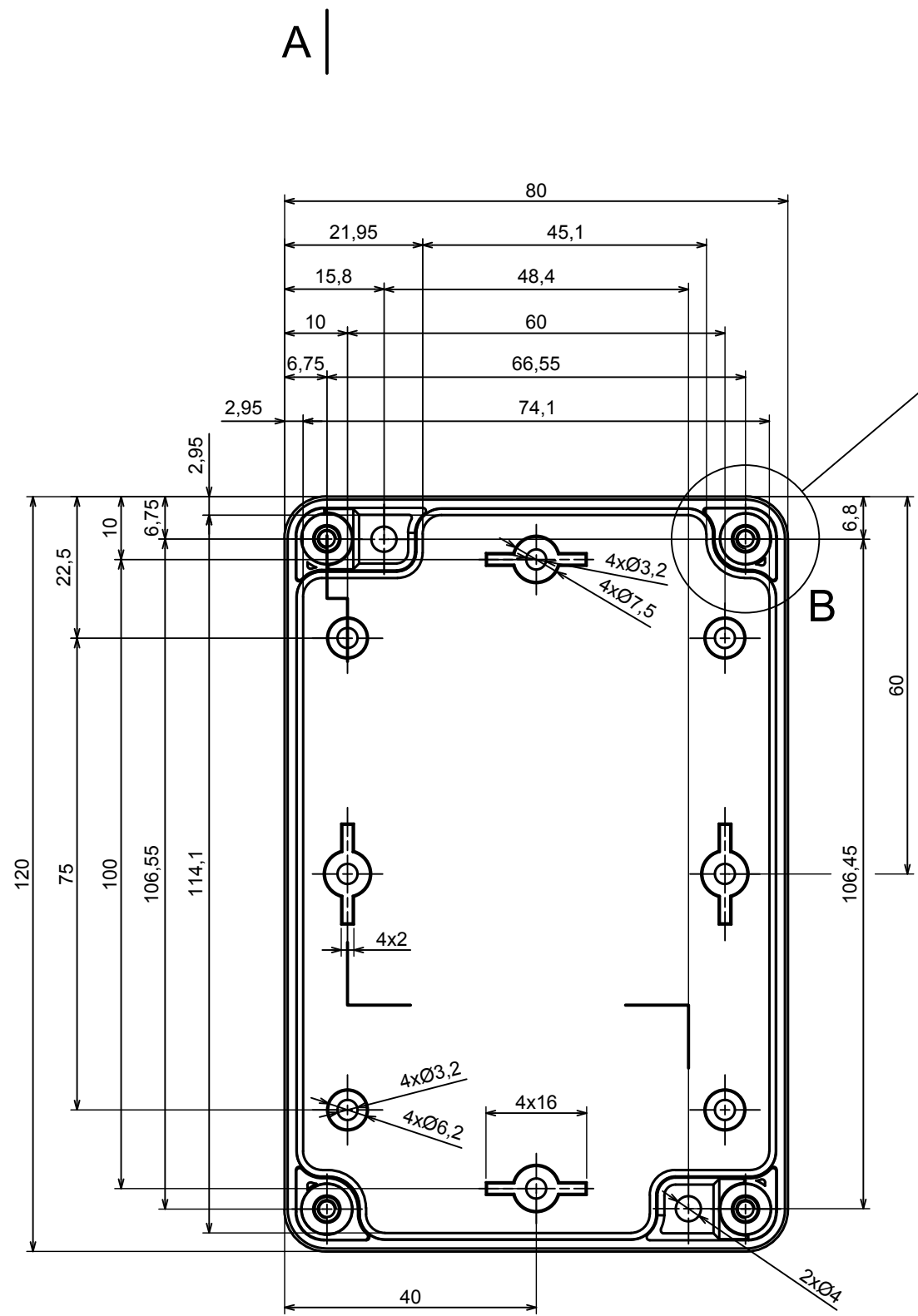
A |



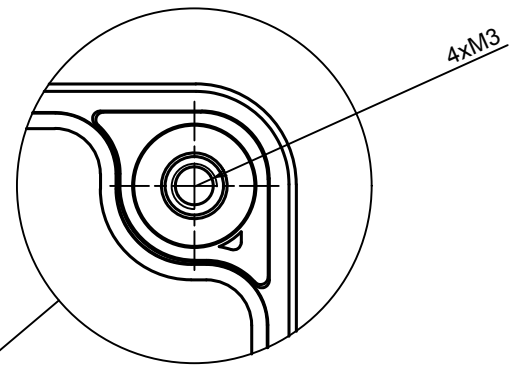
A |

A-A

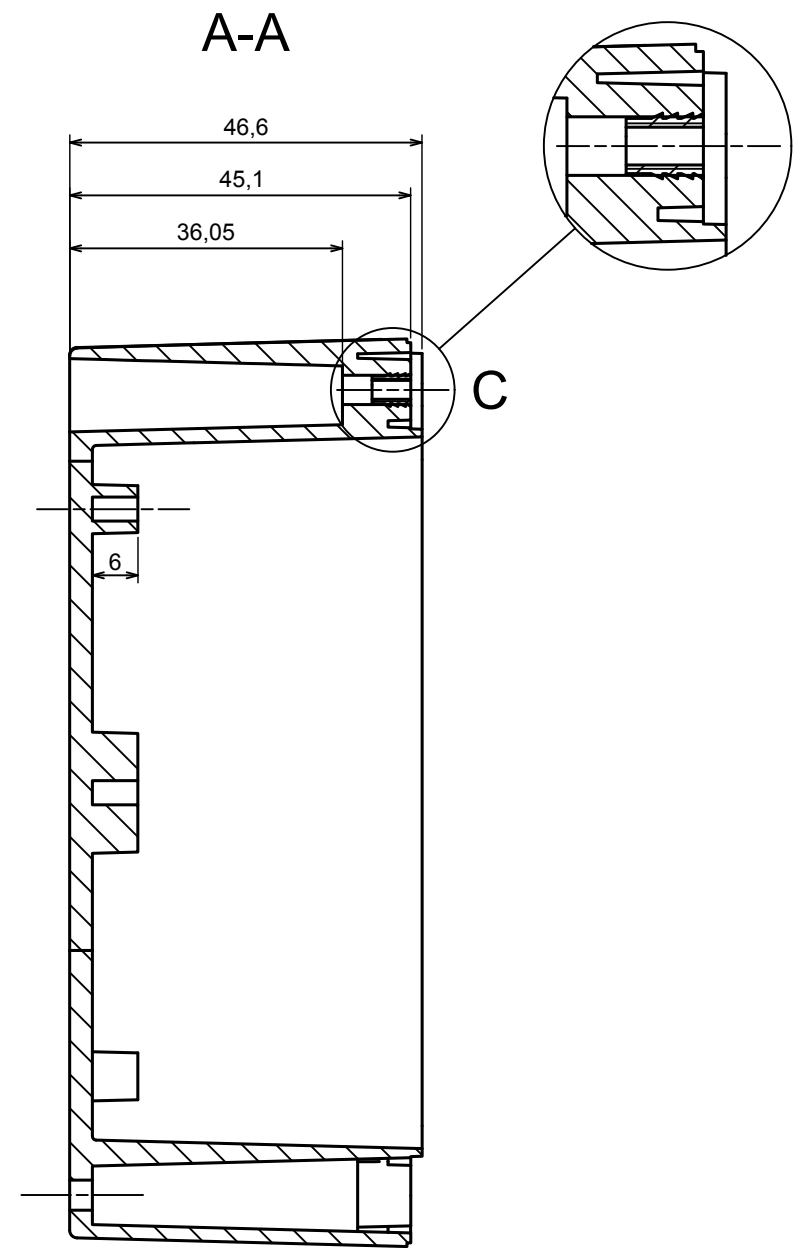




B (2:1)

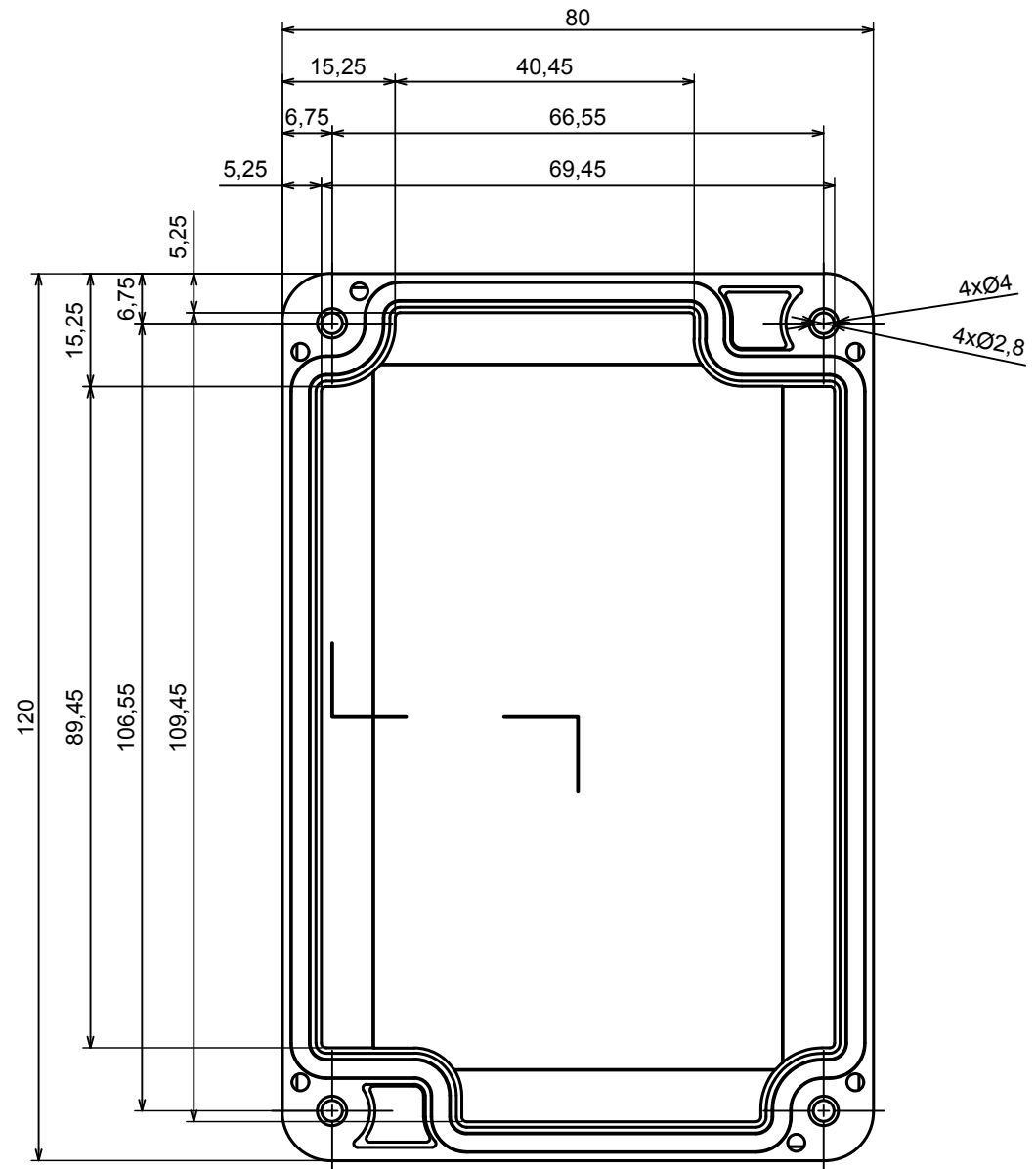


C (2:1)

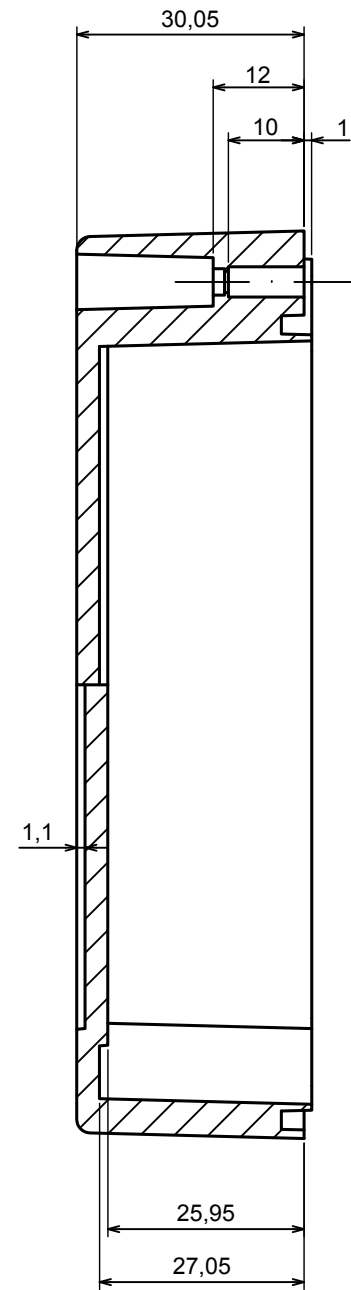


A |

A |



A-A



A |

