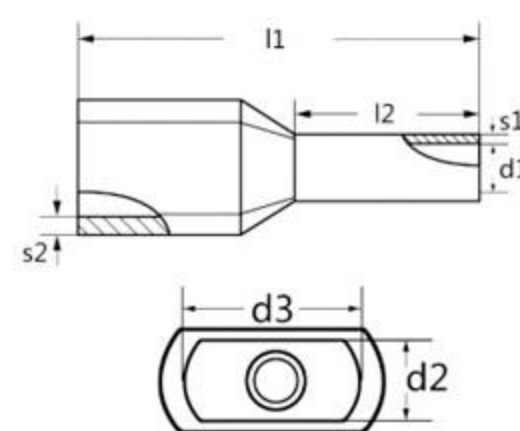


CORD END TERMINALS TWIN CABLES TYPE

- Material
- Insulation: Nylon
- Terminal Body: Copper
- Plating: Tin



ITEM NO.	DIMENSIONS							A.W.G mm ²	FRENCH COLOR	GERMANY COLOR	DIN COLOR
	l1	l2	s1	s2	d1	d2	d3				
TE0508	15.0	8.0	0.15	0.3	1.5	2.8	4.9	2×22 A.W.G 2×0.5mm ²	WHITE	ORANGE	WHITE
TE7508	15.0	8.0	0.15	0.3	1.8	2.9	5.2	2×20 A.W.G 2×0.75mm ²	BLUE	WHITE	GREY
TE7510	17.0	10.0									
TE1008	16.0	8.0	0.15	0.3	2.0	3.5	5.7	2×18 A.W.G 2×1.0mm ²	RED	YELLOW	RED
TE1010	18.0	10.0									
TE1508	15.5	8.0	0.15	0.4	2.3	3.9	6.5	2×16 A.W.G 2×1.5mm ²	BLACK	RED	BLACK
TE1512	17.5	12.0									
TE2510	18.0	10.0	0.2	0.4	2.9	4.6	8.0	2×14 A.W.G 2×2.5mm ²	GREY	BLUE	BLUE
TE2513	21.5	13.0									
TE4012	23.0	12.0	0.2	0.5	3.8	4.9	8.8	2×12 A.W.G 2×4mm ²	ORANGE	GREY	GREY
TE6014	26.0	14.0	0.2	0.5	4.9	6.3	9.3	2×10 A.W.G 2×6mm ²	GREEN	BLACK	YELLOW
TEE1014	26.0	14.0	0.2	0.5	6.5	7.9	12.8	2×8 A.W.G 2×10mm ²	BROWN	WHITE	RED
TEE1614	32.0	14.0	0.2	0.6	8.3	11.6	19.3	2×6 A.W.G 2×16mm ²	WHITE	GREEN	BLUE

