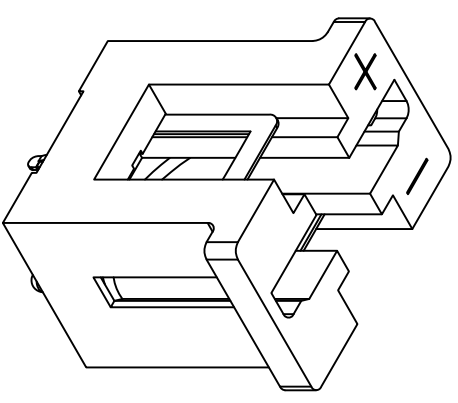
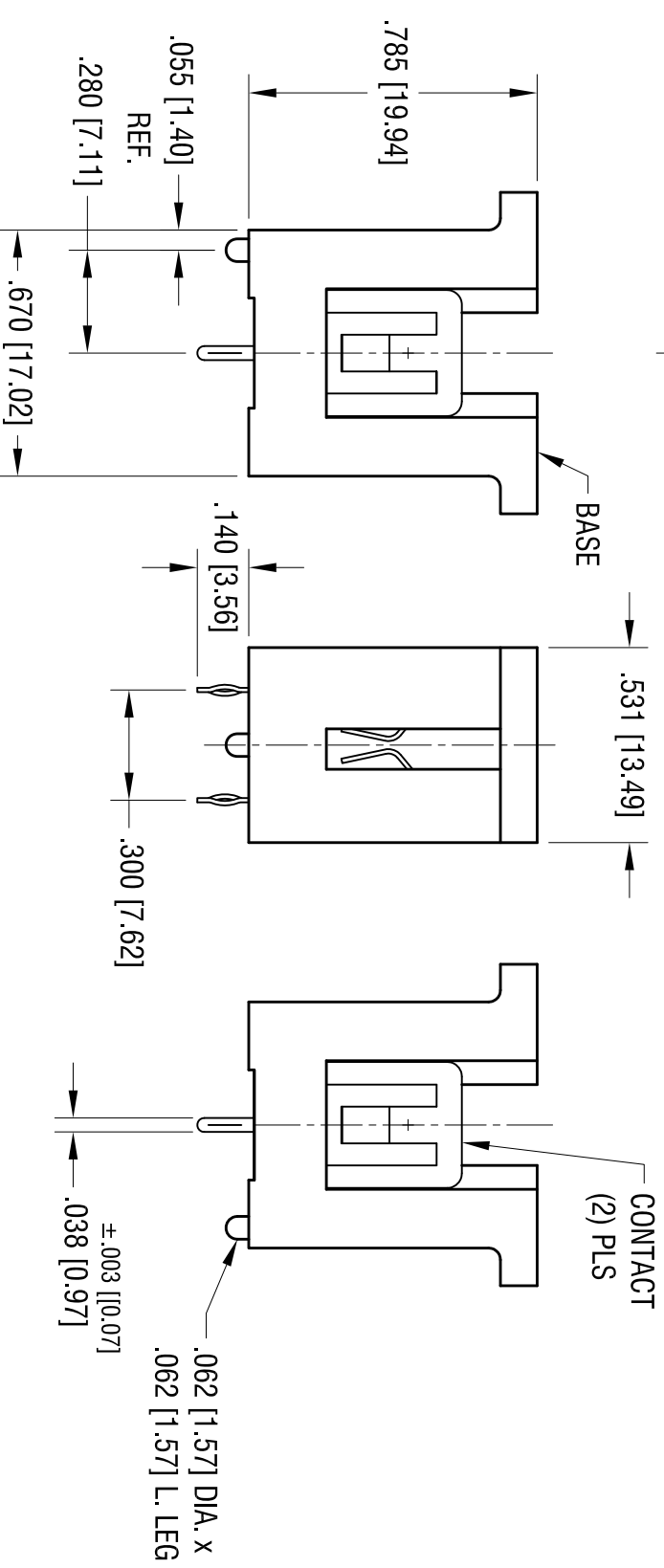
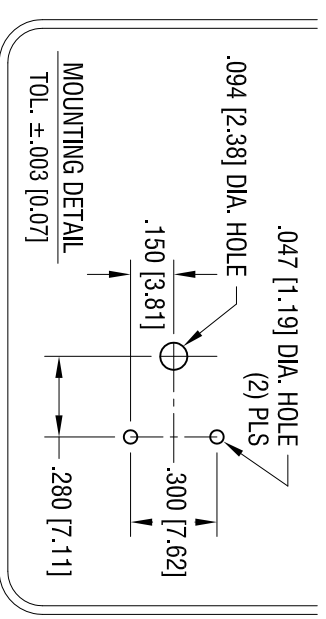
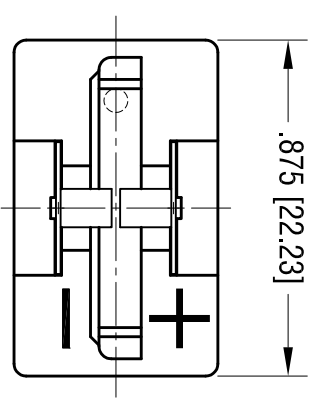


DATE	DESCRIPTION	REV.
6.25.10	CHANGE AS PER ECN 10-047	A



NOTE:
 1. BASE:
 MAT'L: PBT, UL 94V-0.
 2. CONTACT:
 MAT'L: .012 [0.30] THK STAINLESS STEEL.
 FINISH: TIN NICKEL PLATE.

THIS DOCUMENT IS THE PROPERTY OF KEYSTONE ELECTRONICS CORP. AND SHALL NOT BE REPRODUCED, DISTRIBUTED OR USED AS A BASIS FOR MANUFACTURE WITHOUT PRIOR WRITTEN PERMISSION FROM KEYSTONE ELECTRONICS CORP.

KEYSTONE ELECTRONICS CORP.			
www.keystec.com • ASTORIA, N.Y. 11105-2017 • Tel (718) 956-8900			
PART NAME 20mm VERTICAL COIN CELL HOLDER			
MATERIAL AS NOTED			
FINISH AS NOTED		DRN BY BOONE	DATE 4.2.98
TOLERANCES DECIMAL ± .010 [± 0.25] ANGULAR ± 1°		CODE C	DWG NO. 1067
		App'D LN	SCALE 2X