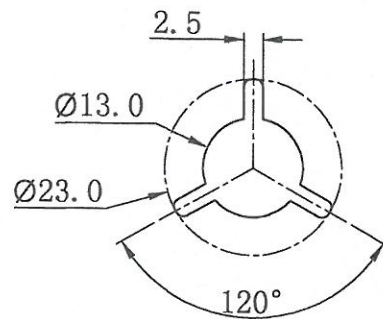
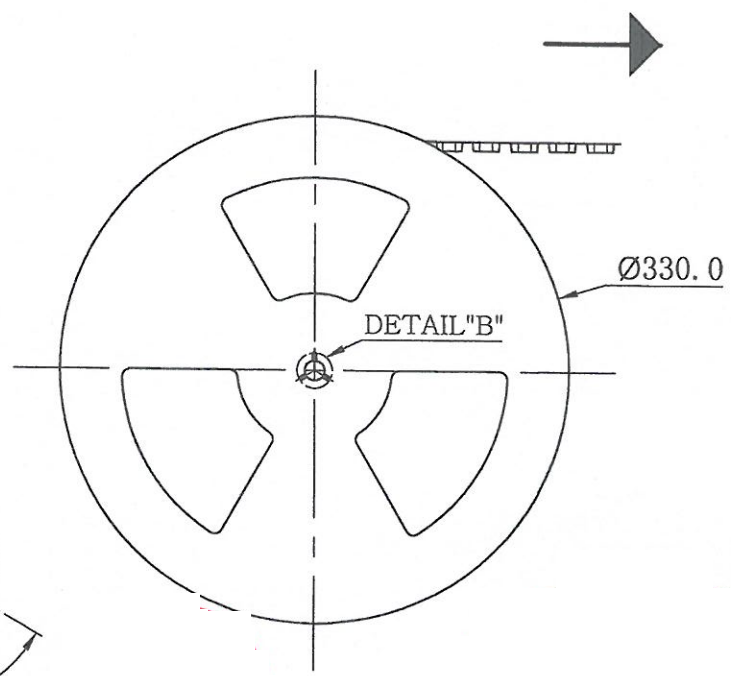


DETAIL "A"



DETAIL "B"



NOTES:

- (1) CH017-2032 500 pcs packed in a tapping reel
- (2) RoHS COMPLIANT

3		
2		
1		
NO.	MODIFICATION	DATE
General Tolerance Dim: 0.0 ± 0.30 0.00 ± 0.20 Angle: ± 3° 0.000 ± 0.10		

