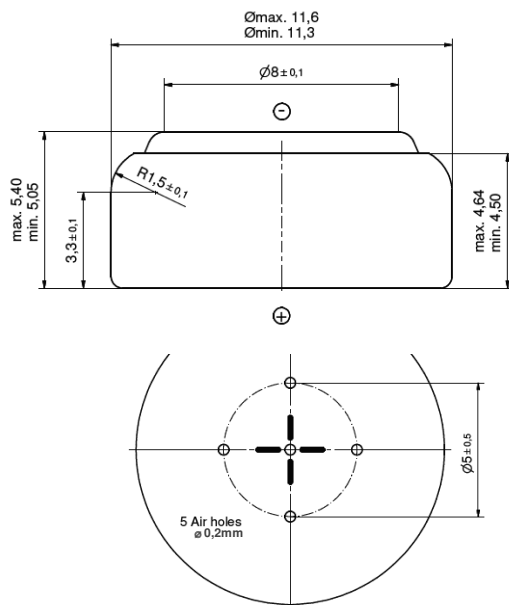


Data sheet p675 EVOLUTION



Specifications:

Chemical system:	Zinc / Air
Nominal voltage:	1,45 V
IEC Standard Test Capacity:	620 mAh*
IEC High Drain Test Capacity:	570 mAh**
Impedance:	max. 4 Ω @ 1kHz
Weight:	approx 1,83 g
Volume:	approx 0,55 ccm
Storage:	10-30°C / 20-80 % r.h.
Operating:	0-45°C / 25-70 % r.h.
Short Exposition:	-10-65°C / 5-95 % r.h.

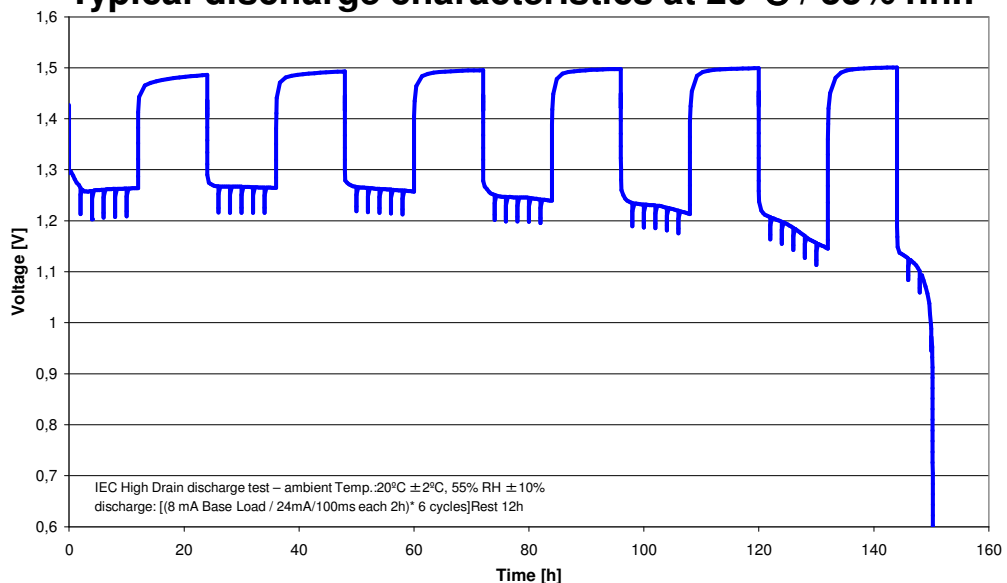
*IEC Hearing aid standard test to 1,05 V at 20°C / 55% r.h. according to IEC 60086-2:2015/DIN EN 60086-2:2016

**IEC High Drain Test to 1,05 V at 20°C / 55% r.h. according to IEC 60086-2:2015/DIN EN 60086-2:2016

Dimensions:

according to IEC 60086-2:2015/DIN EN 60086-2:2016
IEC: PR44

Typical discharge characteristics at 20°C / 55% r.h.:



VARTA Microbattery GmbH
VARTA – Platz 1
D 73479 Ellwangen
Tel.: +49 7961 921 0
www.varta-microbattery.com

The intended purpose of zinc/air cells is the use as energy source in hearing aids. Thus they are medical devices in the sense of various Medical Device Regulations. Guidelines for safe handling as well as other important safety information can be obtained from our Safety Data Sheet (download from www.powerone-batteries.com). This data is subject to change without prior notice. Performance information is typical. Contact VARTA for latest information. Date of issue: October 2020