

⊛ITEM NO: BPTG709

⊛DESCRIPTION: FUSE HOLDER
FOR: MEDIUM AUTO FUSE

⊛APPROVALS:

·CE NO: GLEMO040700865IT

·SGS NO:

⊛SPECIFICATIONS:

Material:

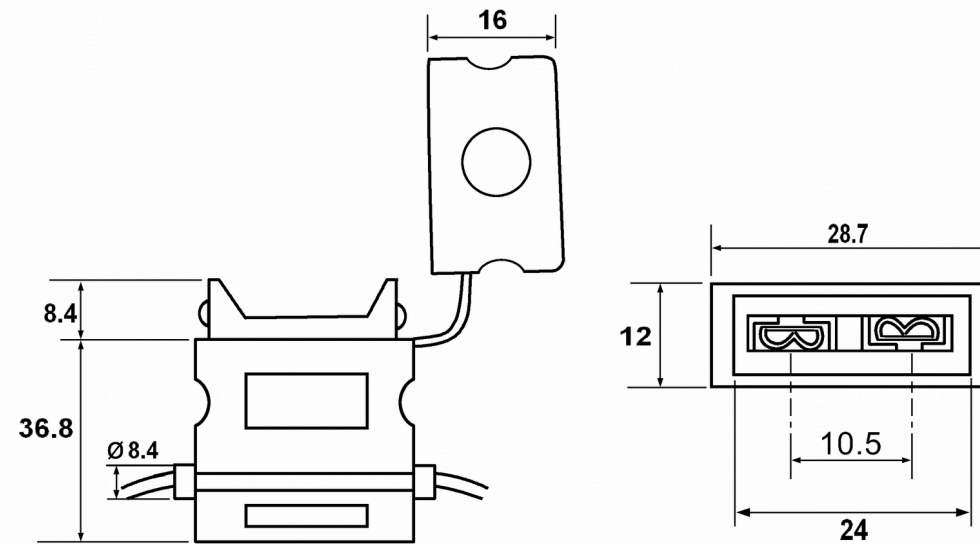
·PVC

·Nickel-plating

Max. rated value: 40A 32V

Limited temperature: 105

Wire: 1.5mm²(O.D.3.5MM²-
4.0MM²), 30cm circle wire .



ITEM NO.	DESCRIPTION	DOC.NO.	VERSION	DRAW	CHECK	APPROVE	DATE
BPTG709	MEDULM FUSE HOLDER	ZH-A-005					