

FEATURES

- Low reverse leakage
- High forward surge capability
- High temperature soldering guaranteed:
seconds at terminals
- Lead and body according with RoHS standard

Forward Current 1.0 A

Reverse Voltage 50 to 600 V

MECHANICAL DATA

- Case: Molded plastic body
- Terminals: Solder plated
- Polarity: Color band denotes cathode end
- Mounting Position: Any



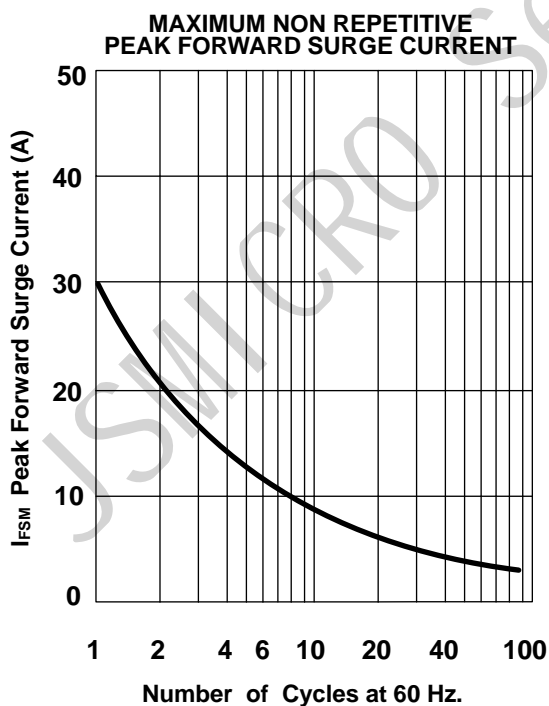
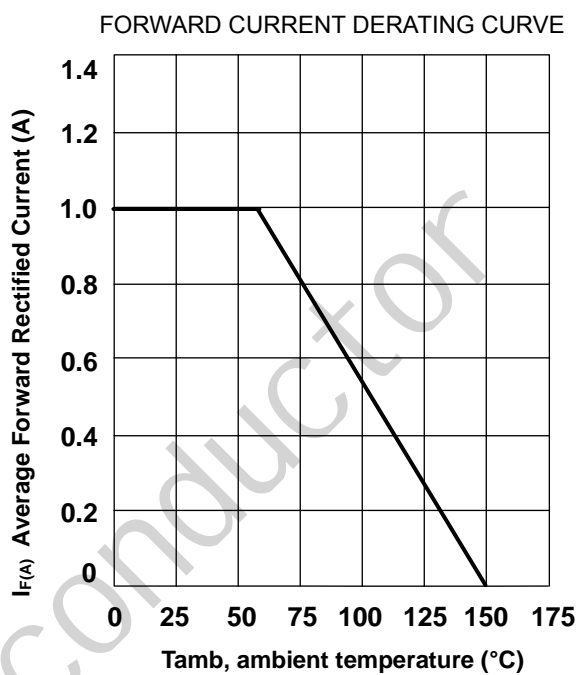
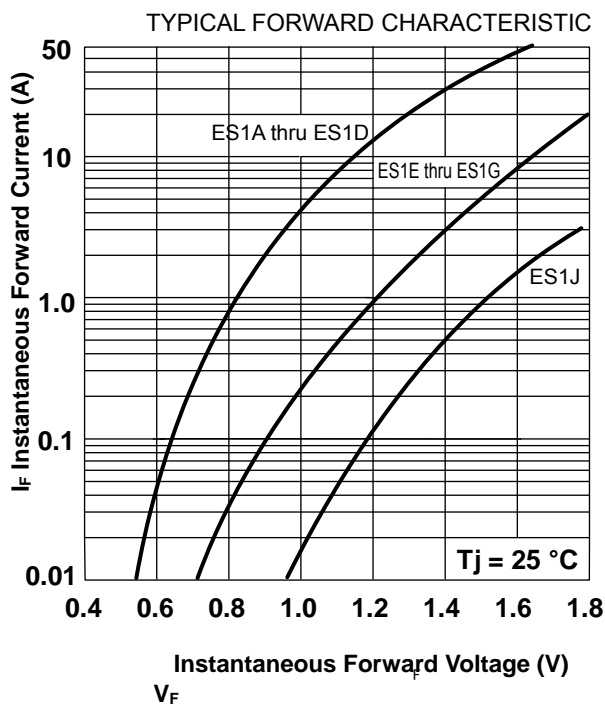
Maximum Ratings & Thermal Characteristics Ratings at 25°C ambient temperature unless otherwise specified.

	Symbols	ES1A	ES1B	ES1C	ES1D	ES1E	ES1G	ES1J	Unit
Maximum repetitive peak reverse voltage	V_{RRM}	50	100	150	200	300	400	600	V
Maximum RMS voltage	V_{RMS}	35	70	105	140	210	280	420	V
Maximum DC blocking voltage	V_{DC}	50	100	150	200	300	400	600	V
Maximum average forward rectified current	$I_{F(AV)}$	1.0							A
Peak forward surge current 8.3 ms single half sine-wave	I_{FSM}	30							A
Typical thermal resistance	$R_{\theta JA}$	85							°C/W
Operating junction and storage temperature range	T_J, T_{STG}	-55 --- +150							°C

Electrical Characteristics Ratings at 25°C ambient temperature unless otherwise specified.

	Symbols	ES1A	ES1B	ES1C	ES1D	ES1E	ES1G	ES1J	Unit	
Maximum forward voltage $I_F = 1.0A$	V_F	0.95				1.25		1.7	V	
Maximum reverse current $T_A = 25^\circ C$ $T_A = 100^\circ C$	I_R	5.0				100				μA
MAX. Reverse Recovery Time $I_F = 0.5A$ $I_R = 1.0A$ $I_{RR} = 0.25A$	t_{rr}	35								nS
Type junction capacitance $V_R = 4.0V, f = 1MHz$	C_j	15								pF

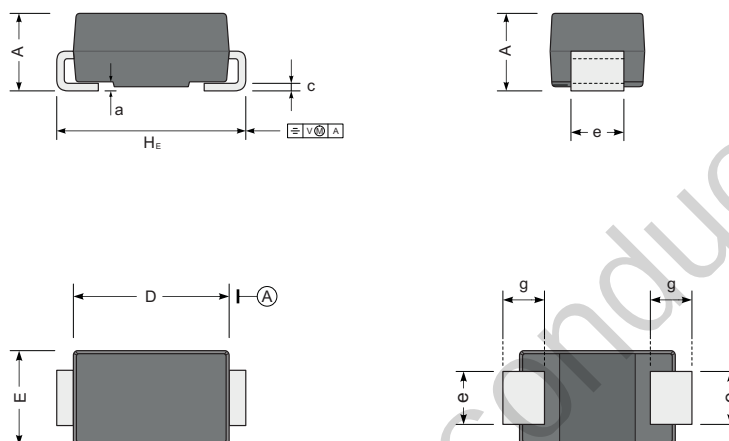
RATING AND CHARACTERISTIC CURVES



Package Information

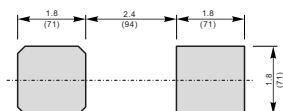
SMA

Plastic surface mounted package; 2 leads



UNIT		A	D	E	H _E	c	e	g	a
mm	max	2.2	4.5	2.7	5.2	0.31	1.6	1.5	0.3
	min	1.9	4.0	2.3	4.7	0.15	1.3	0.9	
mil	max	87	181	106	205	12	63	59	12
	min	75	157	91	185	6	51	35	

The recommended mounting pad size



Unit : $\frac{\text{mm}}{\text{(mil)}}$