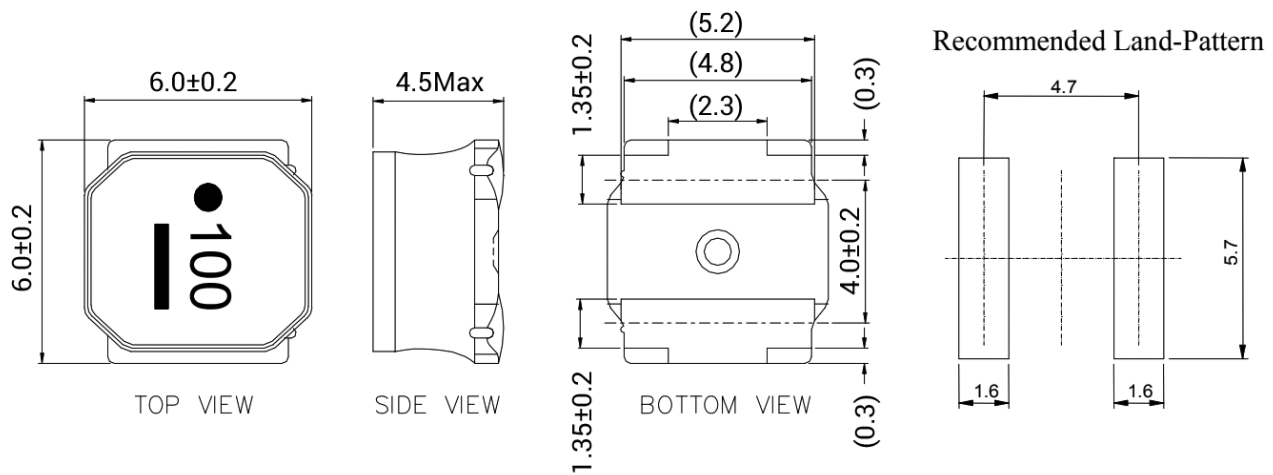


Dimensions in mm



SYMBOL MICROS	NOMINAL INDUCTANCE (μ H)	DCR (Ω) MAX	Isat(A) ($\Delta L/L_0 \geq 65\%$)
D DJNR6045-001.0	1.0	0.013	9.00
D DJNR6045-001.5	1.5	0.015	7.50
D DJNR6045-001.8	1.8	0.016	7.00
D DJNR6045-002.2	2.2	0.017	6.50
D DJNR6045-003.0	3.0	0.024	6.00
D DJNR6045-003.3	3.3	0.026	5.30
D DJNR6045-004.7	4.7	0.031	4.50
D DJNR6045-005.6	5.6	0.04	3.70
D DJNR6045-006.8	6.8	0.043	3.30
D DJNR6045-010.0	10	0.068	3.00
D DJNR6045-015.0	15	0.10	2.50
D DJNR6045-022.0	22	0.15	2.00
D DJNR6045-033.0	33	0.195	1.60
D DJNR6045-047.0	47	0.286	1.40
D DJNR6045-056.0	56	0.338	1.30
D DJNR6045-068.0	68	0.377	1.20
D DJNR6045-100.0	100	0.559	1.00
D DJNR6045-150.0	150	0.988	0.50

The test conditions: $L \leq 8.2 \mu\text{H}$ The test frequency 100KHz / 0.25V, ($N \pm 30\%$)

$L > 8.2 \mu\text{H}$ The test frequency 1KHz / 0.25V, ($M \pm 20\%$)

The test instrument: 502BC, CH1062