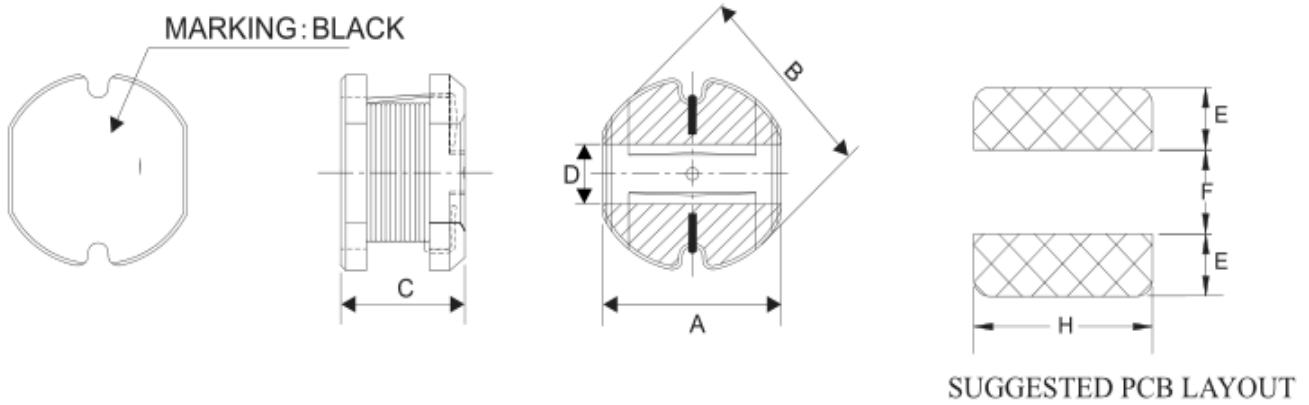


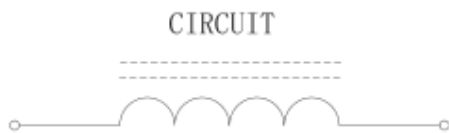
# D DLG0504-039.0

## CONFIGURATION & DIMENSIONS: Unit mm



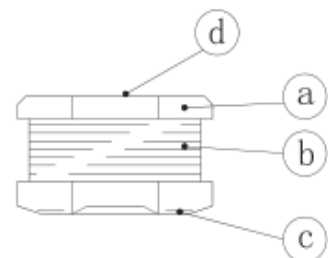
A	B	C	D(ref)	E(ref)	F(ref)	H(ref)
5.2±0.3	5.8±0.3	4.5±0.35	2	2.6	1.4	5.8

### SCHEMATIC DIAGRAM :



### MATERIALS :

- a . Core : Ferrite DR core
- b . Wire : Enamelled copper wire
- c . Terminal : Ag/Ni/Sn
- d . Remark : Products comply with RoHS' requirements



Part No.	Inductance ( $\mu$ H)	Test Freq. ( Hz )	RDC Max. ( $\Omega$ )	IDC (Max) (A)
D DLG0504-039.0	39 20%	100K/1V	0,32	0,8

\*Rated current: Value decided when current flows and temperature has risen 40°C , or when DC current Flows and the initial value fo inductance has fallen by10%, whichever is smaller.