

D DT0470.0/3A/23.5x10x5

SPECIFICATION FOR APPROVAL

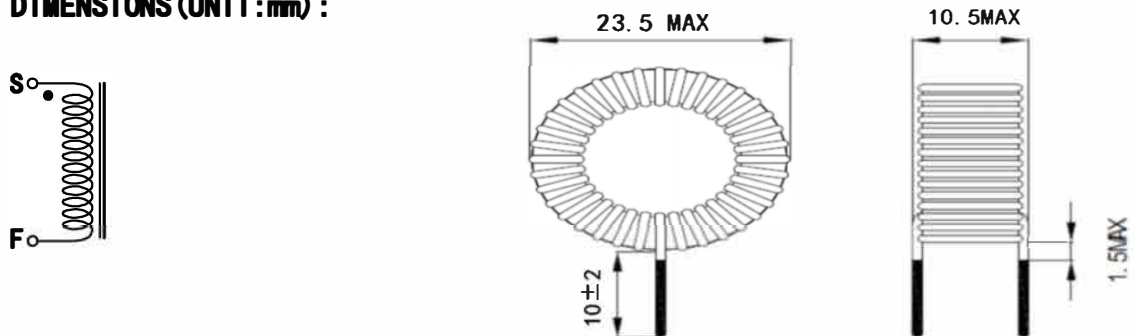
CUSTOMER NAME:

CUSTOMER NUMBER:

WE NUMBER:

PAINTING DATE: 2018-09-08

1、 DIMENSIONS (UNIT:mm) :



2、 ELECTRICAL CHARACTERISTICS:

L (S-F) : 470.0uH \pm 10%	RATED CURRENT: 3A MAX
DCR: 180m Ω MAX	INSULATION RESISTANCE: ———
WITHSTANDING VOLTAGE:	MEASURING INSTRUMENT: TH2810B LCR1KHz/1V

3、 MATERIAL LIST:

WIRE: N1 (S-F) : 2UEW ϕ 0.60mm x 99.0Ts ;	
CORE: T80-52	BOBBIN: ———
TUBE:	TAPE: ———
RESIN: ———	OTHER: ———