

# DTSN-26 NANOPERM COMMON MODE CHOKES



## APPLICATIONS:

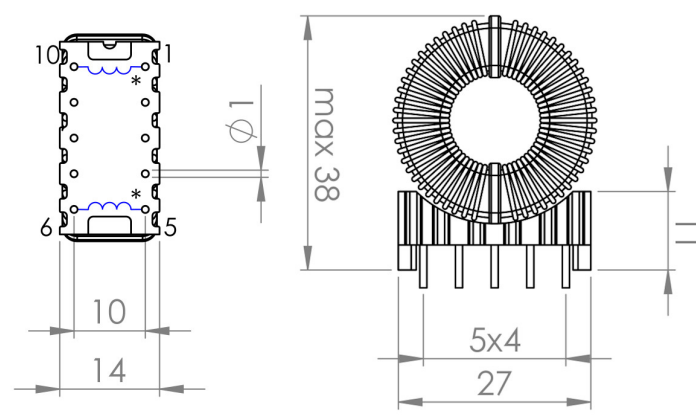
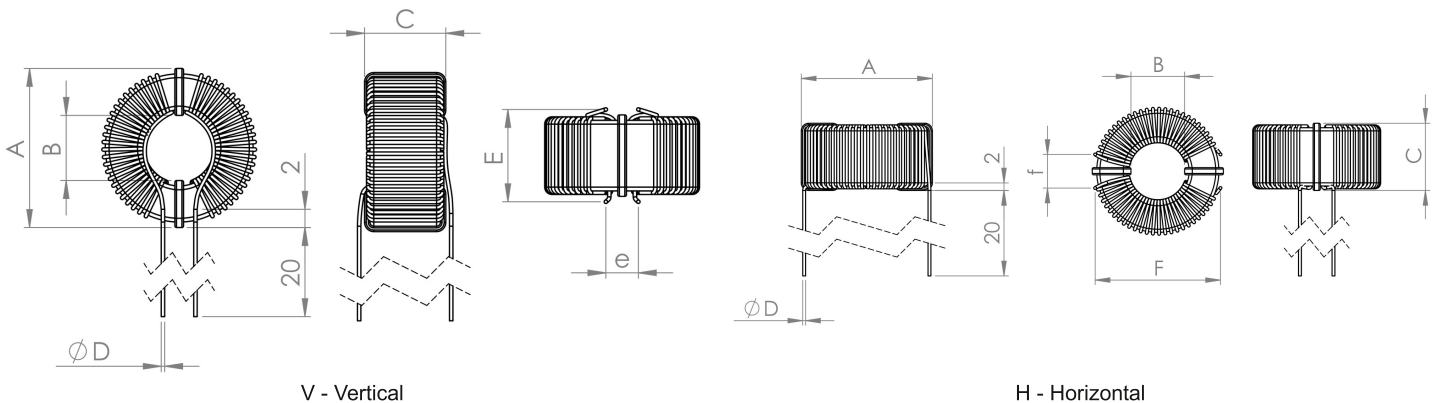
- SMPS transformers
- current transformers
- control transformers
- current compensated chokes
- chokes operating in saturation (thyristor and triac systems)

## ORDERING CODE:

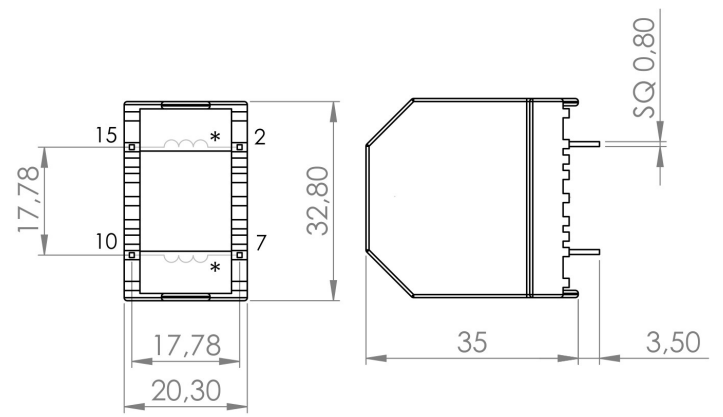
DTSN - 26 / 220 / 1,0 -V

mounting: V - vertical, H - horizontal, BV - base vertical, CV - case vertical, CH - case KM-5 type  
 rated current in Amps  
 inductance in mH@ $I_{DC} = 0A$   
 sendust core outer diameter  
 product symbol

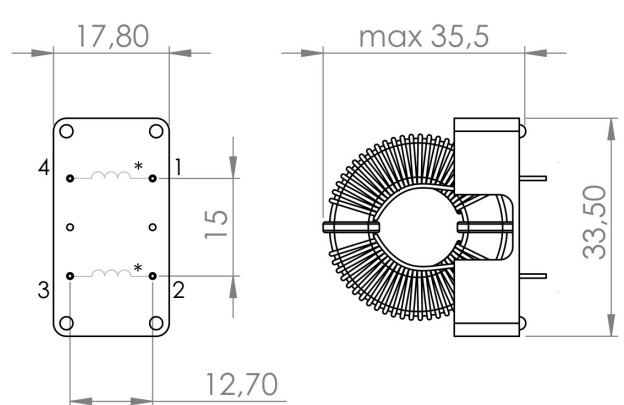
## DIMENSIONS:



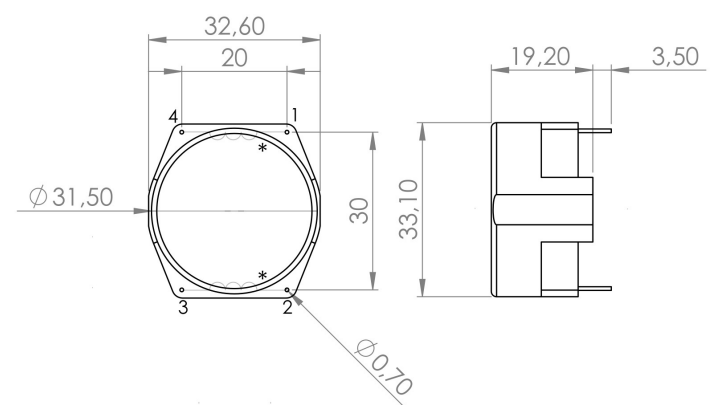
BV - Base Vertical - POD-27X14-10P



CV - Case Vertical - OBUD-TOR-28X15



KM5 - FATR-KM5



CH - Case Horizontal - OBUD-TOR-H-31X19

Part number	Type - core dimension ( $\pm 10\%$ )							Mounting version					
	A [mm]	C [mm]	D [mm]	E [mm]	e [mm]	F [mm]	f [mm]	V	H	BV	CV	CH	KM-5
DTSN-26/220/1,0	28,0	14,0	0,35	17,0	6,0	28,0	7,5	✓	✓	✓	✓	✓	✓
DTSN-26/150/1,5	28,5	15,0	0,45	17,0	6,0	28,0	7,5	✓	✓	✓	✓	✓	✓
DTSN-26/100/2,2	29,0	15,0	0,53	17,0	6,0	28,0	7,5	✓	✓	✓	✓	✓	✓
DTSN-26/68/3,3	30,0	15,5	0,65	17,0	6,0	28,0	7,5	✓	✓	✓	✓	✓	✓
DTSN-26/47/5,0	31,5	16,0	0,80	17,0	6,0	28,0	7,5	✓	✓	–	–	–	✓
DTSN-26/33/6,3	31,5	16,0	0,90	17,0	6,0	28,0	7,5	✓	✓	–	–	–	✓
DTSN-26/22/7,8	31,5	16,5	1,00	17,0	6,0	28,0	7,5	✓	✓	–	–	–	✓

### ELECTRICAL PROPERTIES:

Part number	Lmax [mH]	Imax [A]	RDC [ $\Omega$ ]
DTSN-26/220/1,0	2x220	1,0	0,382
DTSN-26/150/1,5	2x150	1,5	0,214
DTSN-26/100/2,2	2x100	2,2	0,137
DTSN-26/68/3,3	2x68	3,3	0,085
DTSN-26/47/5,0	2x47	5,0	0,056
DTSN-26/33/6,3	2x33	6,3	0,047
DTSN-26/22/7,8	2x22	7,8	0,043

### CHARACTERISTICS:

