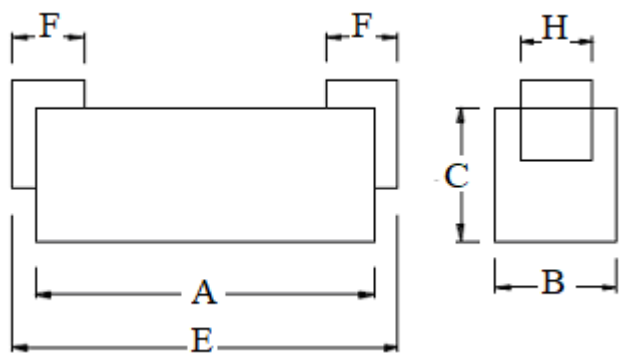


# SPECIFICATION FOR APPROVAL

(1) DIMENSION (UNIT: mm)



A	$4.0 \pm 0.15$	m/m
B	$3.1 \pm 0.10$	m/m
C	$2.6 \pm 0.10$	m/m
E	4.9 (MAX)	m/m
F	1.35 (REF)	m/m
H	1.25 (REF)	m/m

(2) ELECTRICAL REQUIREMENTS

Z	$30 \pm 20\%$	OHM	TEST FREQ	25 MHz
Z	$47 \pm 20\%$	OHM	TEST FREQ	100 MHz

TEST INSTRUMENTS

HP-4294A

MATERIAL (ui)

$750 \pm 30\%$