



**MQS**

TE Internal #: 5-962885-1

Receptacle Terminal, Tin (Sn), .63 mm [.025 in] Tab Width, .63 mm [.025 in] Tab Thickness, 24 – 22 AWG, .2 – .35 mm<sup>2</sup> Wire, Sealable

[View on TE.com >](#)

Terminals & Splices > Automotive Terminals > MQS, RECEPTACLE AND TAB



Terminal Type: **Receptacle**

Interface Plating: **Tin (Sn)**

Mating Tab Width: **.63 mm [.025 in]**

Mating Tab Thickness: **.63 mm [.025 in]**

Terminal Transmits: **0 – 24 A (Low Power)**

[All MQS, RECEPTACLE AND TAB \(98\)](#)

**Features**

**Industry Standards**

|   |       |
|---|-------|
| Compatible With Agency/Standards Products | LV214 |
|---|-------|

**Operation/Application**

|                                    |   |
|------------------------------------|---|
| Compatible With Wire Base Material | Copper  |
| Conforms to Automation Guideline   | Yes, KOMAX Automatic Component Insertion per Version 5.0 (March 2018), Yes, DIN 72036 Automation of Wiring Harness Production per Version June 2024 |

**Packaging Features**

|                    |      |
|--------------------|------|
| Packaging Method   | Reel |
| Packaging Quantity | 9000 |

**Usage Conditions**

|                             |                            |
|-----------------------------|----------------------------|
| Insulation Option           | Uninsulated                |
| Operating Temperature (Max) | 125 °C[212 °F]             |
| Operating Temperature Range | -40 – 140 °C[-40 – 284 °F] |

**Termination Features**

|                                    |       |
|------------------------------------|-------|
| Termination Method to Wire & Cable | Crimp |
| Product Terminates To              | Wire  |



### Product Type Features

|                         |               |
|-------------------------|---------------|
| Receptacle Style        | 180°          |
| Sealable                | Yes           |
| Primary Locking Feature | Locking Lance |

### Dimensions

|                                      |   |
|--------------------------------------|---|
| Compatible Insulation Diameter Range | 1.1 – 1.6 mm [.043 – .063 in]                                 |
| Wire Size                            | .2 – .35 mm <sup>2</sup>                                      |
| Wire Size Search                     | .3 mm <sup>2</sup> , .25 mm <sup>2</sup> , .2 mm <sup>2</sup> |

### Contact Features

|  |                  |
|--|------------------|
| Typical Current Rating                         | 7.5 A            |
| Crimp Type                                     | F-Crimp          |
| Contact Size                                   | .63mm            |
| Contact Fabrication                            | Stamped & Formed |
| Wire Contact Termination Area Plating Material | Tin              |
| Terminal Type                                  | Receptacle       |
| Interface Plating                              | Tin (Sn)         |
| Mating Tab Width                               | .63 mm [.025 in] |
| Mating Tab Thickness                           | .63 mm [.025 in] |

### Body Features

|                    |                        |
|--------------------|------------------------|
| Terminal Seal Type | Single Wire Seal (SWS) |
|--------------------|------------------------|

### Other

|                    |                      |
|--------------------|----------------------|
| Terminal Transmits | 0 – 24 A (Low Power) |
| EU RoHS Compliance | Compliant            |
| EU ELV Compliance  | Compliant            |

### Product Compliance

[For compliance documentation, visit the product page on TE.com>](#)

|   |  |
|---|--|
| EU RoHS Directive 2011/65/EU                  | Compliant                                    |
| EU ELV Directive 2000/53/EC                   | Compliant                                    |
| China RoHS 2 Directive MIIT Order No 32, 2016 | No Restricted Materials Above Threshold      |
| EU REACH Regulation (EC) No. 1907/2006        | Current ECHA Candidate List: JUNE 2024 (241) |



Candidate List Declared Against: JUNE 2024 (241)  
Does not contain REACH SVHC

|                           |   |
|---------------------------|---|
| Halogen Content           | Low Halogen - Br, Cl, F, I < 900 ppm per homogenous material. Also BFR/CFR/PVC Free |
| Solder Process Capability | Not reviewed for solder process capability  |

Product Compliance Disclaimer

This information is provided based on reasonable inquiry of our suppliers and represents our current actual knowledge based on the information they provided. This information is subject to change. The part numbers that TE has identified as EU RoHS compliant have a maximum concentration of 0.1% by weight in homogenous materials for lead, hexavalent chromium, mercury, PBB, PBDE, DBP, BBP, DEHP, DIBP, and 0.01% for cadmium, or qualify for an exemption to these limits as defined in the Annexes of Directive 2011/65/EU (RoHS2). Finished electrical and electronic equipment products will be CE marked as required by Directive 2011/65/EU. Components may not be CE marked. Additionally, the part numbers that TE has identified as EU ELV compliant have a maximum concentration of 0.1% by weight in homogenous materials for lead, hexavalent chromium, and mercury, and 0.01% for cadmium, or qualify for an exemption to these limits as defined in the Annexes of Directive 2000/53/EC (ELV). Regarding the REACH Regulation, the information TE provides on SVHC in articles for this part number is based on the latest European Chemicals Agency (ECHA) 'Guidance on requirements for substances in articles' posted at this URL: <https://echa.europa.eu/guidance-documents/guidance-on-reach>

## Compatible Parts



**KIT**

REPRESENTATION ONLY

TE Part # 7-2151302-7  
OCEAN\_2.0\_SPARE\_PART\_KIT-050F114O



TE Part # 5-2151104-2  
OCEAN\_2.0\_APPLICATOR-S-055F114O-RSA



TE Part # CAT-M8793-CH8172  
MQS, CONNECTOR HOUSING



TE Part # 1-967658-1  
8pos MQS .63 header 90deg



TE Part # 2305570-1  
Strip Terminal Cutter-Side Feed-No Crimp



TE Part # 9-1579018-2  
EXTRACTION TOOL



**KIT**

REPRESENTATION ONLY

TE Part # 7-2151104-7  
OCEAN\_2.0\_SPARE\_PART\_KIT-055F114O



TE Part # 1-967067-1  
MQS SGL WIRE SEAL




TE Part # 5-2151104-1  
OCEAN\_2.0\_APPLICATOR-S-055F114O-RSM



TE Part # 1-969489-3  
6POS MQS REC COD A



TE Part # 6-1579008-9  
LOCKING TOOL



TE Part # 8-1579007-4  
EXTRACTION TOOL



TE Part # 2386459-1  
EXTRACTION TOOL



TE Part # 2151104-2  
OCEAN\_2.0\_APPLICATOR-S-055F114O-RSA



TE Part # 967067-2  
MQS EINZELLEITDICHT



TE Part # 1-969489-4  
6POS MQS REC COD A



**KIT**  
REPRESENTATION ONLY

TE Part # 7-2151780-7  
OC-055F110O-CRIMPTOOLINGKIT



TE Part # 2151104-1  
OCEAN\_2.0\_APPLICATOR-S-055F114O-RSM



TE Part # 963142-2  
SWS,MQS,CVTY DIA,4.0,GRY

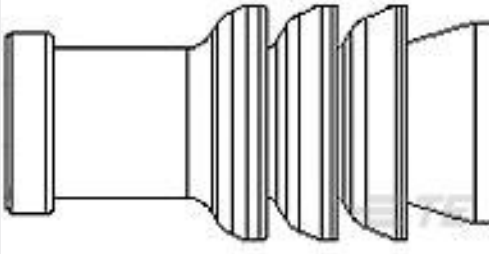


TE Part # 2134557-2  
8POS MQS REC

### Customers Also Bought



TE Part #2382718-1  
40POS,NANOMQS,REC HSG,UNSLD,COD A,STD



TE Part #967067-1  
MQS SGL WIRE SEAL



TE Part #2050052-1  
4POS 2.8MM SENSOR PLUG ASSY.



TE Part #CP4904-000  
ES2000-NO.1-C1-0-65MM-SH



TE Part #2382718-2  
40POS,NANOMQS,REC HSG,UNSLD,COD B,STD



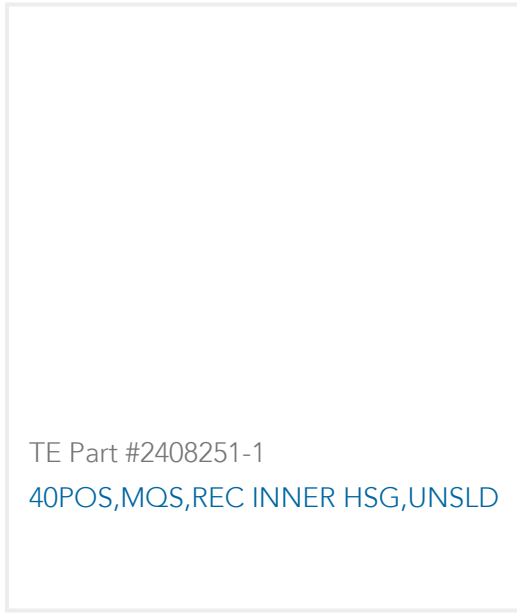
TE Part #CAT-M8793-CH8172  
MQS, CONNECTOR HOUSING



TE Part #1554723-1  
1.0 SEALED RECEPTACLE CONTACT



TE Part #1-2112780-9  
18POS, MIXED,REC HSG,ASSY,SEALED



## Documents

### CAD Files

#### Customer View Model

[ENG\\_CVM\\_CVM\\_5-962885-1\\_J.2d\\_dxf.zip](#)

English

#### 3D PDF

3D

#### Customer View Model

[ENG\\_CVM\\_CVM\\_5-962885-1\\_J.3d\\_igs.zip](#)

English

#### Customer View Model

[ENG\\_CVM\\_CVM\\_5-962885-1\\_J.3d\\_stp.zip](#)

English

By downloading the CAD file I accept and agree to the [Terms and Conditions](#) of use.

### Product Specifications

#### Application Specification

German

#### Application Specification

English

#### Application Specification

English