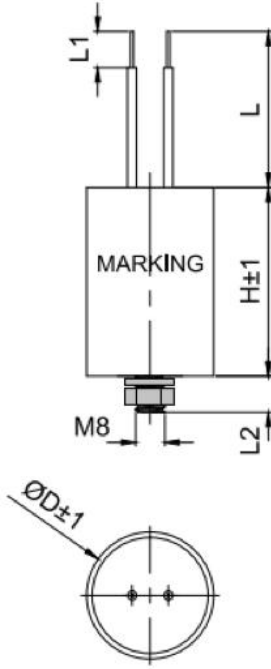



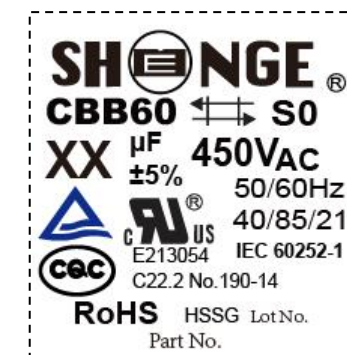
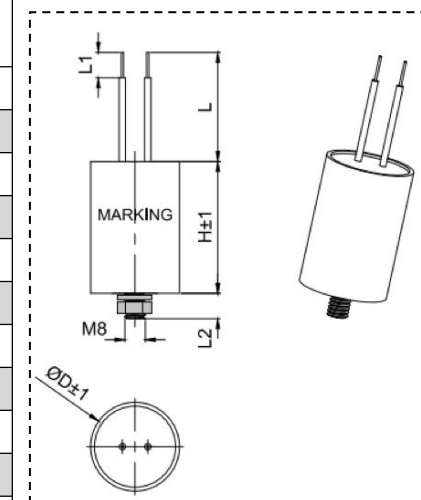


客户名称: Customer:		中怡达			客户确认 / Customer Confirm:	
产品品号 Part No.	产品类型 Model No.	额定电压及频率 Voltage & Frequency	额定容量 Capacitance	备注 Notes	Nuts and gaskets available.   <p>激光打印 Laser Printing:</p> <div style="border: 1px dashed black; padding: 5px; text-align: center;"> MARKING </div> <div style="border: 1px dashed black; padding: 5px;">  </div>	
见附页 Refer to attachment	CBB60	450V _{AC} ; 50/60Hz	见附页 Refer to attachment			
外形尺寸 (mm) Dimension	包装数量 Quantity /Ctn	毛重 Gross Weight	包装尺寸 (mm) Carton Size			
见附页 Refer to attachment	pcs	Kg	415 * 290 * 260			
推行标准 Standard Employ	GB / T3667.1-2016 ; IEC60252-1 ; UL810					
寿命等级 Life Expectancy	/	安全等级 Class of Protection	S0			
耐电压 Voltage Endurance Test	T - T 极间	2Un / 2 seconds				
	T - C 极壳	2.5 KV _{AC} / 2 seconds				
电容偏差 Capacitance Tolerance	±5%					
损耗角正切 Dissipation Factor(tan δ)	≤ 0.0070 (1K Hz)					
气候类别 Climatic Category	-40℃ ~ +85℃ / 21 天湿热试验					
电容器介质 Dielectric	金属化聚丙烯薄膜 / 自愈性 Metalized Polypropylene Film / Self-Healing					
外壳 Housing	UL94 V0 级阻燃 ABS 外壳 ABS Housing (UL94 V0)			拟制 / Draft:	CBB60 型金属化聚丙烯薄膜电容器 AC Motor Run Capacitor CBB60 Metalized Film Capacitor	
引出 Terminals	UL1015 20#/18#/16#黑线*L*L1 UL1015 20#/18#/16# Black Wire*L*L1			尹航 2024.01.05 技术员		
灌封 Filling	UL94 V0 级阻燃环氧树脂 Epoxy Resin (UL94 V0)			蒋金华 2024.01.05 技术主管	 申格电容 SHENGE Capacitor	


附页 Attachment

单位 Unit: mm






	额定电压 Voltage	额定容量 Cap.	品号 Part No.	直径 D Dia	壳高 H Height	导线长度 L Wire Length	剥头 L1 Strip length	线号 Wire No.	螺杆长 L2 Screw length	损耗 tan δ X10 ⁻⁴
1	450VAC	1 μF	04500111	28±1	55±1	200±10	10±1	20#	11±1	12
2	450VAC	2 μF	04500248	28±1	55±1	200±10	10±1	20#	11±1	15
3	450VAC	2.5 μF	0452X530	28±1	55±1	200±10	10±1	20#	11±1	15
4	450VAC	3 μF	04500373	28±1	55±1	180±10	10±1	20#	11±1	20
5	450VAC	3.5 μF	0453X514	28±1	55±1	200±10	10±1	20#	11±1	20
6	450VAC	4 μF	045004A0	28±1	55±1	180±5	10±1	20#	11±1	20
7	450VAC	5 μF	04500563	35±1	58±1	200±10	10±1	20#	11±1	20
8	450VAC	6 μF	04500693	35±1	58±1	200±10	10±1	20#	11±1	20
9	450VAC	8 μF	045008B3	35±1	58±1	200±10	10±1	20#	11±1	20
10	450VAC	10 μF	045010B2	35±1	58±1	100±5	10±1	20#	11±1	25
11	450VAC	12 μF	04501299	36±1	68±1	100±5	10±1	20#	11±1	25
12	450VAC	14 μF	04501456	40±1	68±1	150±5	10±1	20#	11±1	25
13	450VAC	16 μF	045016B5	40±1	68±1	200±10	10±1	20#	11±1	25
14	450VAC	18 μF	04501845	40±1	68±1	180±10	10±1	18#	11±1	25
15	450VAC	20 μF	045020A8	40±1	78±1	200±10	10±1	20#	14±1	25
16	450VAC	25 μF	045025A3	45±1	83±1	110±5	7±1	20#镱锡 tin-boring	12±1	35
17	450VAC	30 μF	045030A1	45±1	93±1	180±5	10±1	16#	11±1	35
18	450VAC	35 μF	04503593	45±1	93±1	200±10	10±1	18#	11±1	40
19	450VAC	40 μF	04504094	45±1	93±1	220±10	10±1	18#镱锡 tin-boring	11±1	50
20	450VAC	50 μF	04505066	50±1	93±1	200±10	7±1	16#镱锡 tin-boring	11±1	50
21	450VAC	60 μF	04506043	50±1	116±1	200±10	10±1	16#	11±1	50
22	450VAC	80 μF	04508025	55±1	120±1	200±10	10±1	16#	12±1	60
23	450VAC	100 μF	04510007	60±1	120±2	150±5	10±1	16#	12±2	70



 WARNING Operation Instruction

1.  WARNING Scope of application:AC motor start up and operation can also be used in power frequency 50/60Hz AC power system to improve power coefficient.



2 Conditions of use


- 2.1  WARNING Recommended to use under altitude 2000m
- 2.2  WARNING Residual voltage when voltage is applied:it shouldn't exceed 10% of nominal voltage
- 2.3  WARNING Defilement:best operating under mildly polluted atmosphere
- 2.4  WARNING Operating temperature between $-40^{\circ}\text{C}\sim+85^{\circ}\text{C}$
- 2.5  WARNING Maximum allowable voltage :don't go over 10% of the nominal voltage capacitors subject to lightning over voltage,should place the arrester as close to the capacitor as possible

2.6  WARNING **Installation and disassembly**

- 2.6.1 The installation of capacitors should facilitate the dissipation of heat generated by the loss of capacitors by convection and radiation.
- 2.6.2 The temperature of capacitor will increase due to radiation from the sun and hot surface,should prevent capacitors from radiation.
- 2.6.3 When installing and disassembling,the two poles of the capacitor should be discharged to avoid the electric shock between the human body and capacitor,keep away from flammable materials when discharging.
- 2.6.4 Best not to pull the capacitor out of the electrode terminals(wire,terminal,had pins etc)
- 2.6.5 Best not to touch condensers that have not been discharged during operating or after the device is shut down.do not disassemble the capacitor by yourself.
- 2.6.6 Pin capacitance,pay attention to control welding temperature and welding time when welding to PCB board,best not to disassembled and installed again.

3. Store

- 3.1  WARNING **Storage Temperature**
storage temperature in the range of $-40^{\circ}\text{C}\sim+85^{\circ}\text{C}$
- 3.2  WARNING **Storage Humidity**
average annual humidity $\leq 75\%$ R.H.
occasionally $\leq 85\%$ R.H.
relative humidity $\leq 95\%$ R.H. per year for no more than one month

- 3.3  WARNING **Period of Use**
It is recommended to use the machine within 1 year.
Not installed for more than 1 year,it is recommended to use after retesting.
Not used for more than 2 years,not recommended to use.
In order to ensure that the capacitor operates in its best condition,if the production date is more than 3 years or the running time exceeds 10000 hours,please replace the capacitor.

4.  Product Substance

Substance content verification result by RoHS Directive (EU)2015/863 amending Annex II to Directive 2011/65/EU.