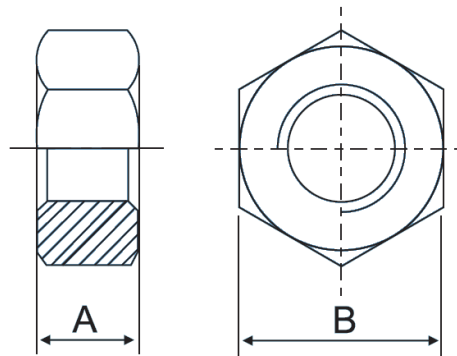


NP SERIES

SYMBOL	A	B	PACKING
NP-M2	2.0	4.0	1000 PCS
NP-M2.5	2.3	4.7	
NP-M3	2.5	5.4	
NP-M4	3.0	6.9	
NP-M5	4.5	7.8	
NP-M6	6.9	9.8	
NP-M8	6.5	12.9	
NP-M10	9.2	15.7	
NP-M12	11.0	12.7	
NP-M14	12.5	21.5	
NP-M16	14.3	23.5	
NP-M18	16.5	27.0	
NP-M20	17.8	28.9	



Material: Nylon66 (UL) (RoHS)
 Flame Class: 94V-2
 Color: Natural / Black

Unit: mm

