

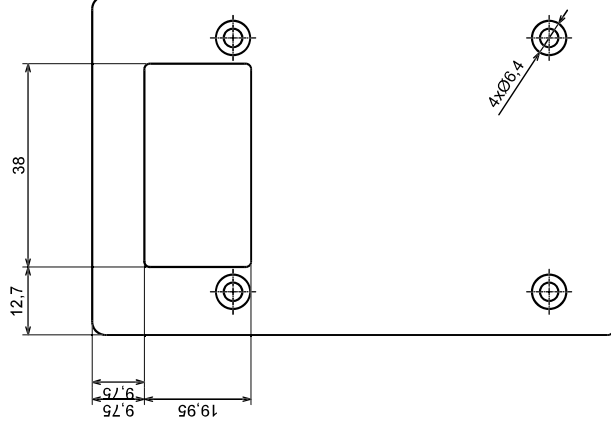
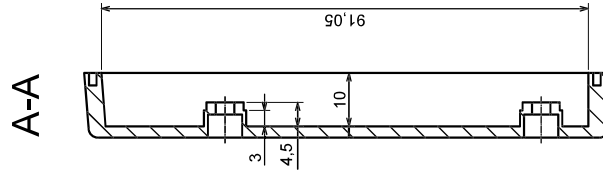
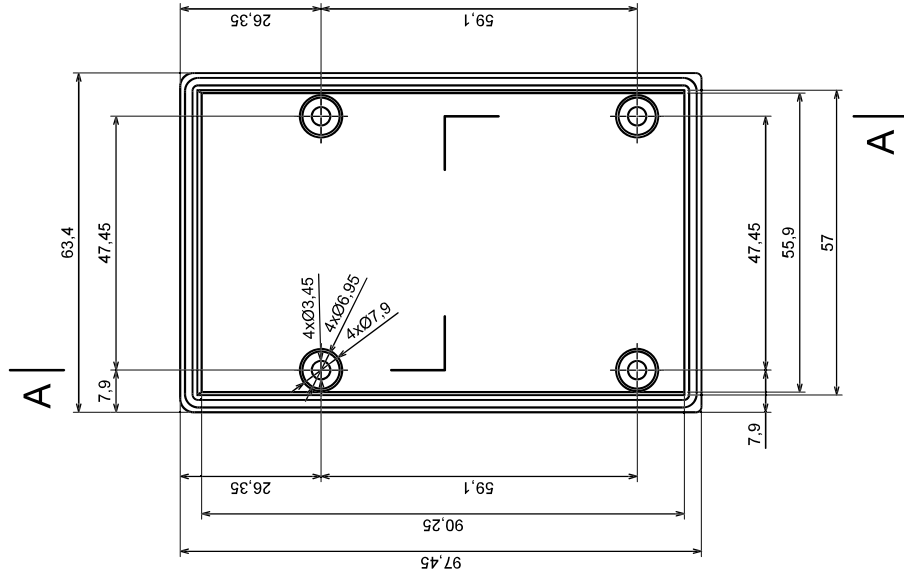
All rights reserved, Copyright Kradex 2016

Product model Enclosure Z119 - assembly

Format: A3 Material: PS, ABS

Scale 1:1 Tolerance: +/- 0.8





All rights reserved, Copyright Kradex 2016

Product model Enclosure Z119 - base

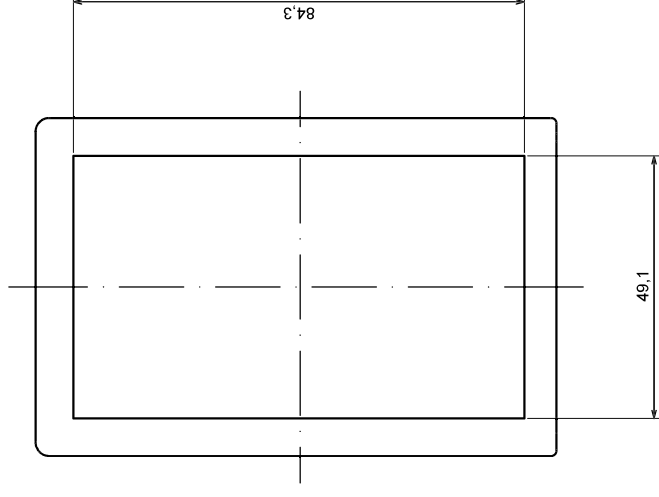
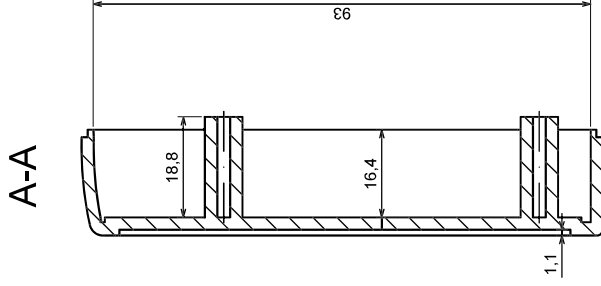
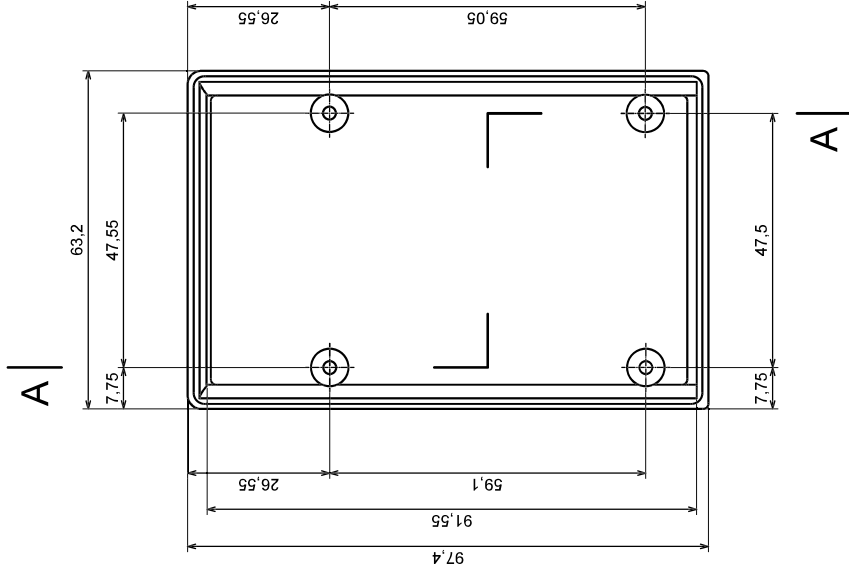
Format: A3

Material: PS, ABS

Scale 1:1

Tolerance: +/- 0.8





All rights reserved, Copyright Kradex 2016

Product model Enclosure Z119 - cover

Format: A3 Material: PS, ABS

Scale 1:1 Tolerance: +/- 0.8

