

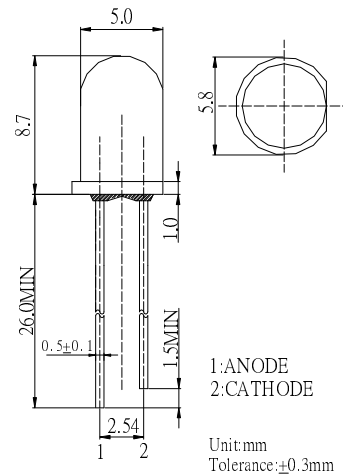
■Features

- High Luminous Intensity
- 5mm Round Standard Directivity
- Long Lifetime Operation
- Superior UV Resistance
- Color Diffused Type
- White Diffused Type for White LED

■Applications

- Toys & Games
- Audio
- Back Lighting
- Indications

■Outline Dimension



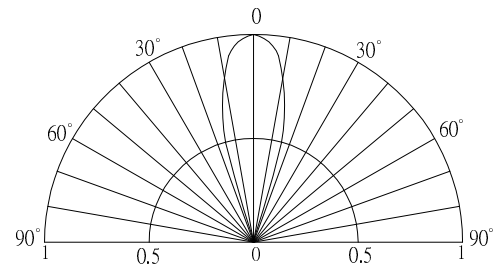
■Absolute Maximum Rating

(Ta=25°C)

Item	Symbo	Value		Unit
		W/B	R/Y/YG	
DC Forward Current	I _F	30	30	mA
Pulse Forward Current#	I _{FP}	100	100	mA
Reverse Voltage	V _R	5	5	V
Power Dissipation	P _D	108	78	mW
Operating Temperature	Topr	-40 ~ +85		°C
Storage Temperature	Tstg	-40~ +85		°C
Lead Soldering Temperature	Tsol	260°C/5sec		-

#Pulse width Max 0.1ms, Duty ratio max 1/10

■Directivity



■Electrical -Optical Characteristics

(Ta=25°C)

Part Number	Color		V _F (V)			I _R (μA)	I _v (mcd)*			λD (nm)*			2θ1/2(deg)
			Min.	Typ.	Max.	Max.	Min.	Typ.	Max.	Min.	Typ.	Max.	Typ.
			I _F =20mA			V _R =5V	I _F =20mA						
OSW5HA5A32A	White	W	-	3.1	3.6	10	1120	1560	-	CCT:8000-18000K			30
OSM5HA5A32A	Warm White	M	-	3.1	3.6	10	750	1120	-	CCT:2700-3200K			30
OSB5YU5A34A	Blue	B	-	3.1	3.6	10	220	330	-	465	470	475	30
OSG5TA5A34A	Pure Green	PG	-	3.1	3.6	10	1120	1560	-	520	525	530	30
OSG8HA5A34A	Yellow Green	YG	-	2.1	2.6	10	150	220	-	565	570	575	30
OSY5JA5A34A	Yellow	Y	-	2.1	2.6	10	220	330	-	585	590	595	30
OSR5JA5A34A	Red	R	-	2.1	2.6	10	220	330	-	620	625	630	30

*1 Tolerance of measurements of dominant wavelength is ±1nm *2 Tolerance of measurements of chromaticity coordinate is ±10%

*3 Tolerance of measurements of luminous intensity is ±15% *4 Tolerance of measurements of forward voltage is ±0.1V