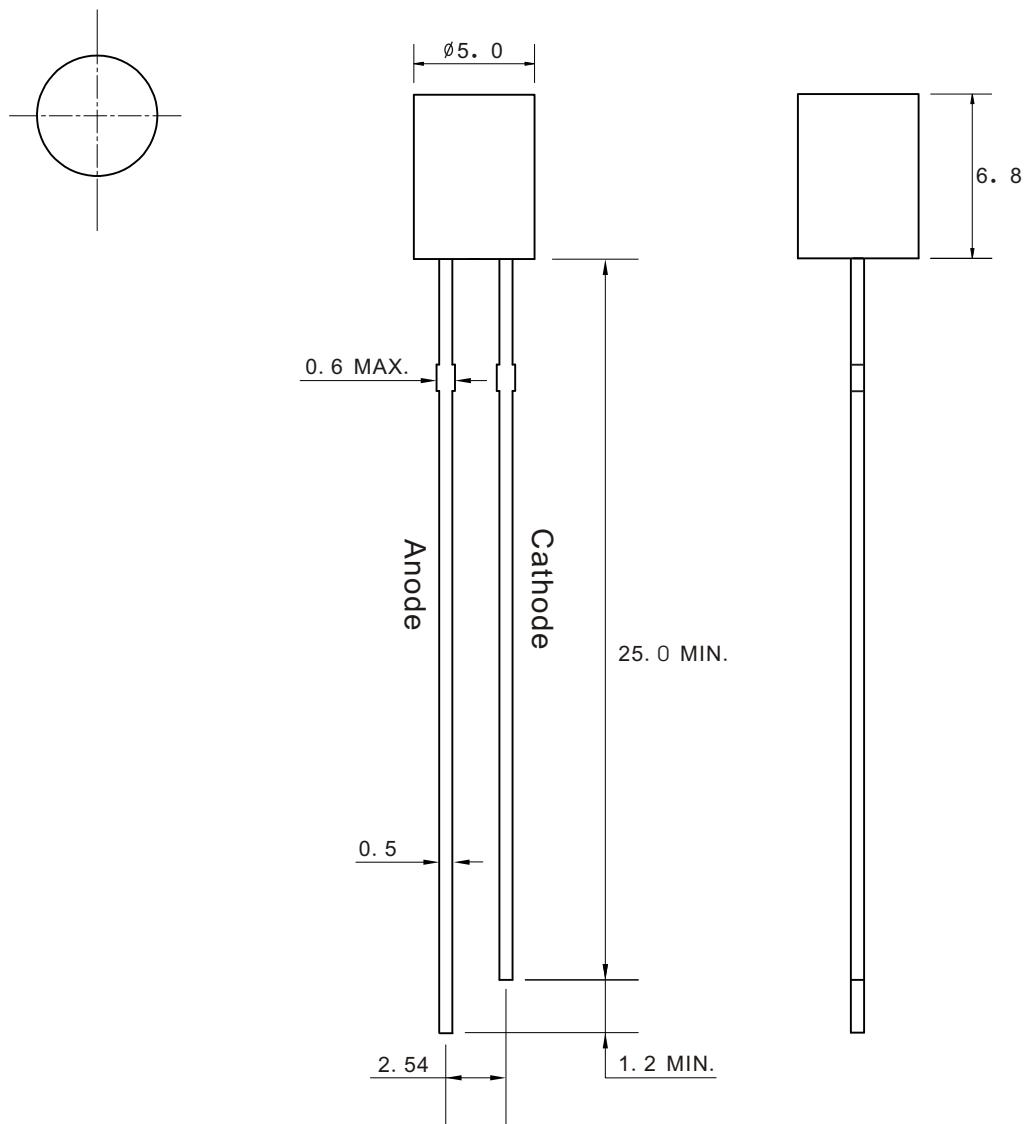


### KTL053CDI

#### Features

- \* 5.0mm x 6.8mm round LED lamp
- \* Low power requirement
- \* I. C. Compatible
- \* Easy assembly
- \* RoHs compliant
- \* Wide viewing angle
- \* Bicolour version available

Part No.	KTL053CDI	
Lens	Red Diffused	
Chip	Ram Material	AlGaInP
	Emitted colour	Red



Absolute Maximum Rating: (TA=25°C)

Parameter	Symbol	Maximum Rating	Unit
Peak Forward Current	IFp	60	mA
Forward Current	IF	30	mA
Reverse Voltage	VR	5	V
Power Dissipation	PD	66	mW
Operating Temperature	Topr	-40~+85	°C
Storage Temperature	Tstg	-40~+85	°C
Electrostatic Discharge	ESD		V
Soldering Temperature		260°C for 3 seconds	

Lead soldering Temperature (4mm from body) : 260°C for seconds

Optical-Electrical Characteristic: (TA=25°C)

Parameter	Symbol	Condition	Min.	Type	Max.	Unit
Forward Current	VF	IF=20mA	1.8	-	2.4	V
Reverse Current	IR	VR=5V		-	10	uA
Dominant Wavelength	$\lambda_d$	IF=20mA	620	625	630	nm
Peak Wavelength	$\lambda_p$	IF=20mA		-		nm
Luminous Intensity	Iv	IF=20mA	50	100	200	mcd
Viewing Angle	2 $\theta_{1/2}$	IF=20mA	-	100	-	Deg

Fig. 1

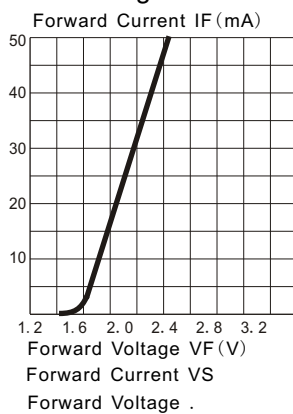


Fig. 2

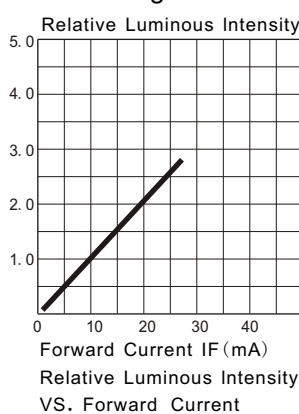


Fig. 3

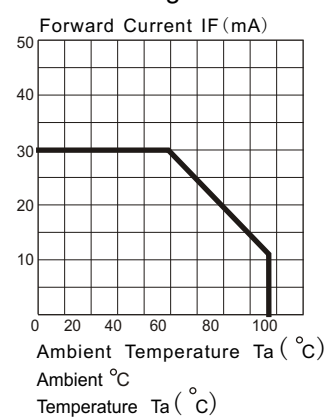


Fig. 4

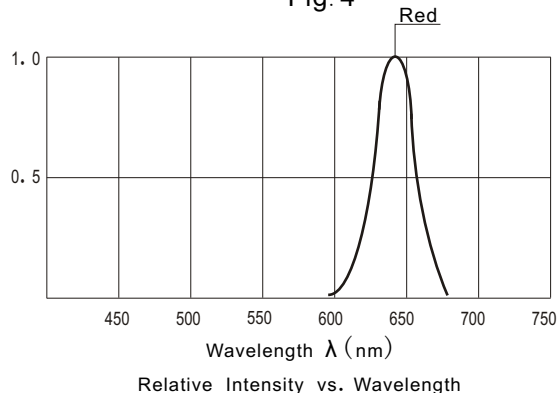


Fig. 5

