

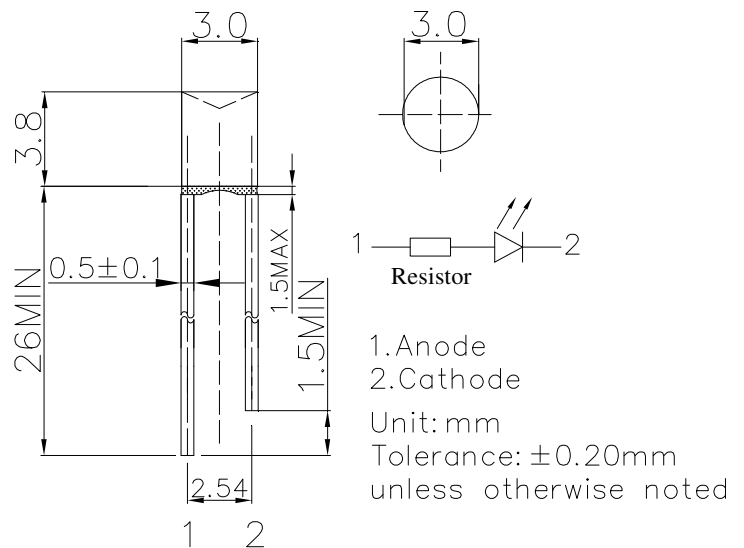
■ Features

- High Luminous LEDs
- 3mm Concave Top Standard Directivity
- UV Resistant Epoxy
- Integral Current Limiting Resistor
- TTL Compatible (Requires No External Current Limiter With 12 Volt Supply)
- Cost Effective (Saves Space and Resistor Cost)
- Water Clear Type

■ Applications

- Status Indicators
- Other Lighting

■ Outline Dimension

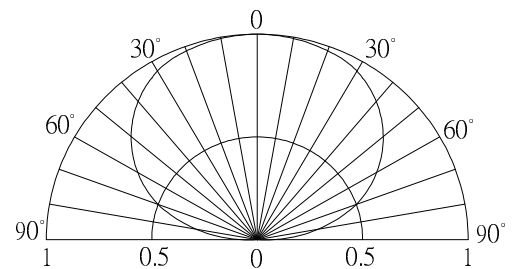


■ Absolute Maximum Rating

(Ta=25°C)

Item	Symbol	Value	Unit
DC Forward Voltage	V _F	15	V
Reverse Voltage	V _R	12	V
Power Dissipation	P _D	225	mW
Operating Temperature	Topr	-30 ~ +85	°C
Storage Temperature	Tstg	-30 ~ +85	°C
Lead Soldering Temperature	Tsol	260°C/5sec	-

■ Directivity



■ Electrical -Optical Characteristics

(Ta=25°C)

Part Number	Color		I _F (mA)			I _v (mcd)*			λD(nm)*			2θ1/2(deg)
			Min	Typ.	Max.	Min.	Typ.	Max.	Min.	Typ.	Max.	Typ.
			V _F =12V			V _F =12V						
OSW5DK3FE1B-12V	White	W	-	10	15	500	750	-	X=0.27, Y=0.28(8500-18000K)			140
OSM5DK3FE1B-12V	Warm White	M	-	10	15	500	750	-	X=0.44, Y=0.41(2700-3300K)			140
OSB5SA3FE1B-12V	Blue	B	-	10	15	150	220	-	465	470	475	140
OSG5DA3FE1B-12V	Pure Green	PG	-	10	15	500	750	-	520	525	530	140
OSY5JA3FE1B-12V	Yellow	Y	-	10	15	68	100	-	585	590	595	140
OSO5JA3FE1B-12V	Orange	O	-	10	15	68	100	-	600	605	610	140
OSR5JA3FE1B-12V	Red	R	-	10	15	68	100	-	620	625	630	140

*1 Tolerance of measurements of Domi. wavelength is ±1nm

*2 Tolerance of measurements of chromaticity coordinates is ±10%

*3 Tolerance of measurements of luminous intensity is ±15%

*4 Tolerance of measurements of forward voltage is ±0.1V