

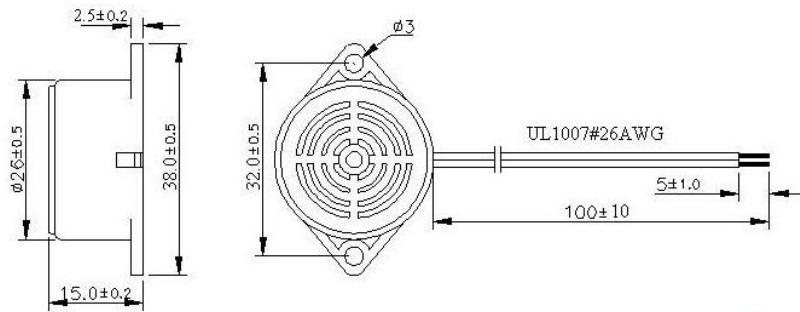
吉安亿丰电子有限公司

JI'AN YIFENG ELECTRONICS CO.,LTD

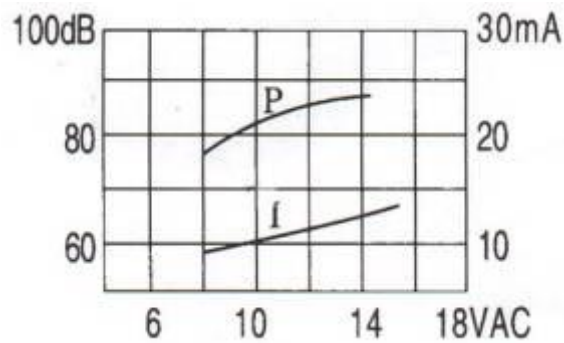
DIMENSIONS

Unit:mm

Tolerance:±0.5



Unit : mm



SPECIFICATIONS

Model No	EFM2624L
Rated Voltage	24VDC
Operating Voltage	18~28VDC
Max. Rated Current	25mA at 24VDC
Min.Sound Pressure Level	75dB at 24VDC/20cm
Resonant Frequency	400 ± 100 Hz
Operating Temperature	-20°C~+60°C
Weight	10g

◆ Value applying rated voltage