

SPECIFICATION FOR APPROVAL

承 认 书

Customer : 闪诺电子

Description : BUZZER

Vender's Part No. : KS-273T38A

Customer No. : _____

Date : 2025-12-19

CUSTOMER'S APPROVED SIGNATURE		

Approved By	Checked By	Made By
colin	Chen JO	李 荣

承认后请回签一份! 谢谢!

Please sign back after admitted a! Thank you very much!

A、SCOPE 范围

This specification applies piezoelectric diaphragm,KS-273T38A

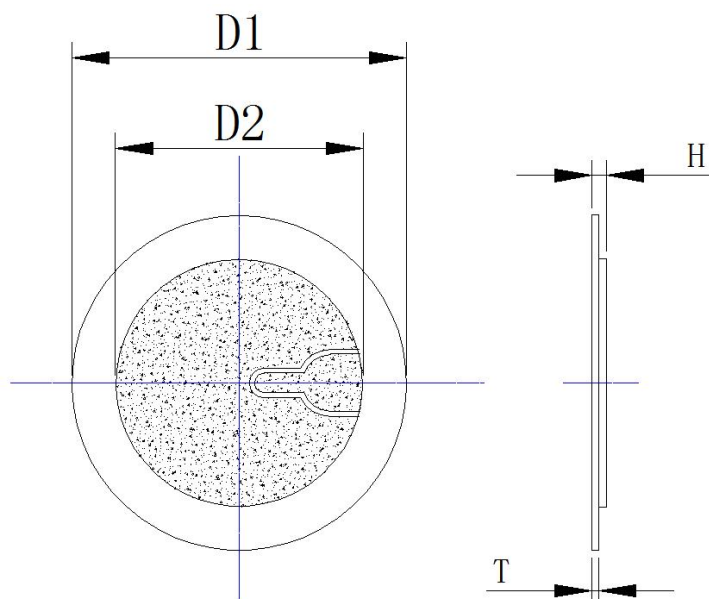
此规格适用于压电式蜂鸣片,KS-273T38A

B、SPECIFICATION 规格

No.	Item	Unit	Specification	Condition
1	Max.input voltage 最大输入电压	Vp-p	1.5-30Vp-pmax	
2	Resonant frequency 共振频率	khz	3.8±0.5	The resonant frequency is suitable only for piezo element without wire. 共振频率适用于蜂鸣片不加焊线时测量
3	Resonant impedance 共振阻抗	ohm	Max300Ω	The resonant resistance is suitable onlu for piezo element without wire 共振阻抗适用于蜂鸣片不加焊线时测量
4	Electrostatic capacity 静电容量	pf	20000±30%	At 120Hz/1V
5	Operating temp 操作温度	°C	-20°C~60°C	
6	Storage temp 储存温度	°C	-30°C~70°C	
7	Dimension 尺寸	mm	Φ27	See appearance drawing 请参照外观尺寸图
8	Substrate Mateecial 基片材质		Brass	

C、 APPEARANCE DRAWING 外观尺寸图

Model NO : KS-273T38A UNIT:MM



D1	D2	T	H
27±0.1	20±0.5	0.2±0.05	0.42±0.05

D、 MECHANICAL CHARACTERISTICS 机械特性

1、 Appearance quality: Smooth clean, Not obvious mechanical damage;

外观质量: 平整清洁、无明显的机械损伤;

2、 Silver level strength: Welds the 0.15*7 stranded conductor, Withstands vertical direction 2.5N, Horizontal direction 20N pulling force, Silver level not obvious mechanical damage;

银层焊接强度: 焊接 0.15*7 多股导线, 承受垂直方向 2.5N, 水平方向 20N 的拉力后, 银层无明显的机械损伤;

3、 Cohesional strength: After potsherd diameter curving, does not have the porcelain piece to fall off, but permission chap.

粘结强度: 按陶瓷片直径弯曲后, 无瓷片脱落, 但允许龟裂。