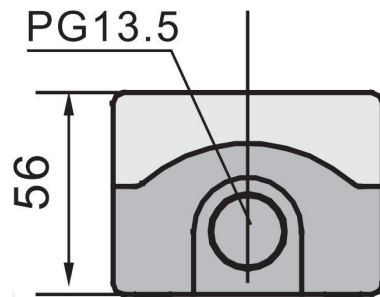
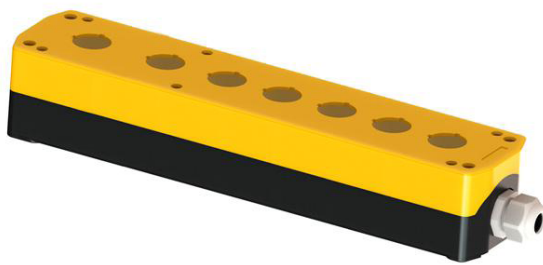


Button Box

● Technical data

Product Name:	Push button switch box
Holes:	1~7
Material:	ABS
Color:	Yellow and black
Ambient temperature:	-25~70°C
Rated insulation voltage:	UI=500V
Pollution class:	III
Degree of protection:	IP65
Altitude above sea level:	<2,000m
Standard:	IEC60947-5-1, EN60947-5-1

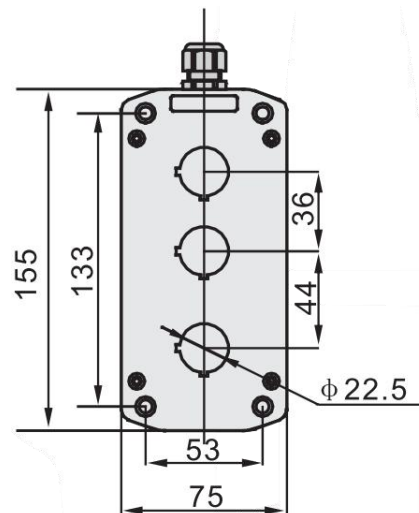
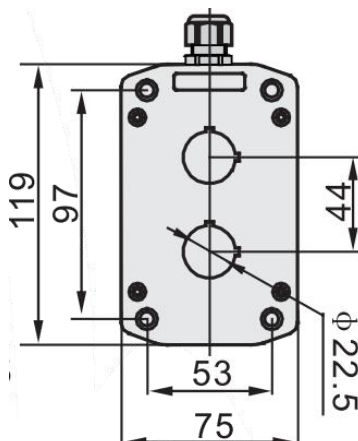
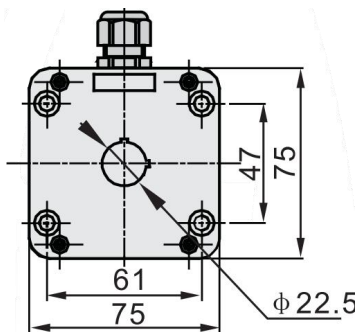
● Drawings



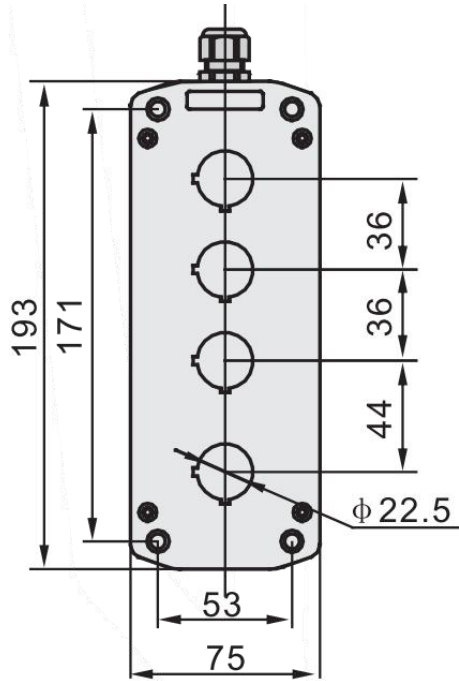
PRZ LAY5-JBPN1

PRZ LAY5-JBPN2

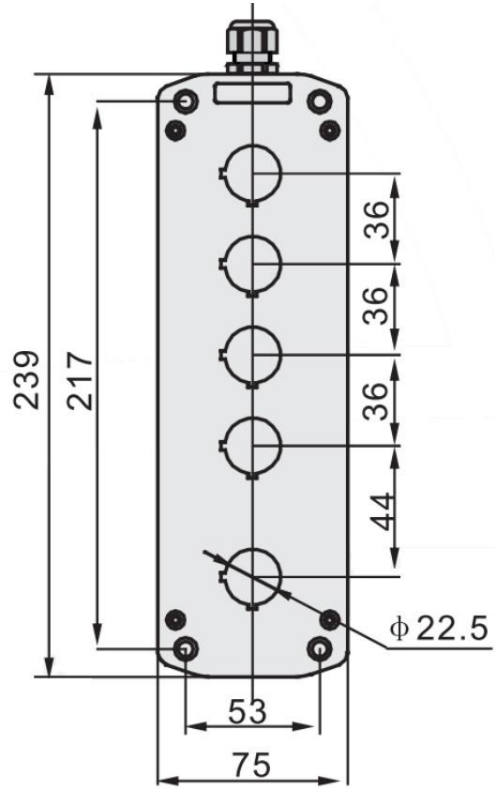
PRZ LAY5-JBPN3



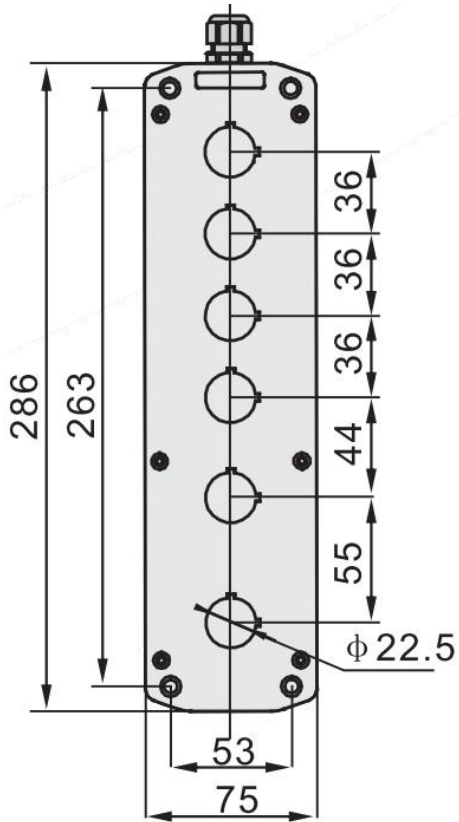
PRZ LAY5-JBPN4



PRZ LAY5-JBPN5



PRZ LAY5-JBPN6



PRZ LAY5-JBPN7

