

PRZ Mirs101AE111A

Miniature Rocker Switch

Specification

Rating :10A 125VAC; 6A 250VAC

Contact R :35mΩ max

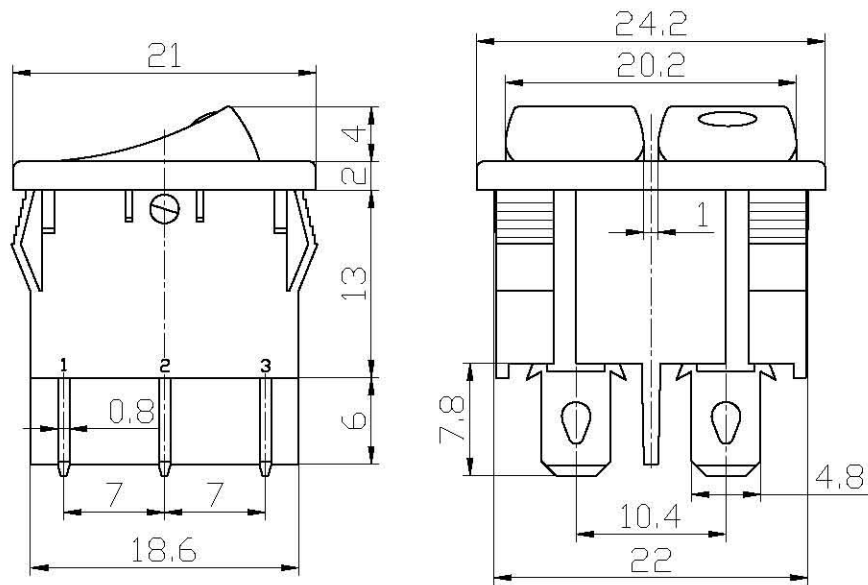
Insulation R :500V DC 100MΩ min

Dielectric Strength :1 Minute 1500V AC

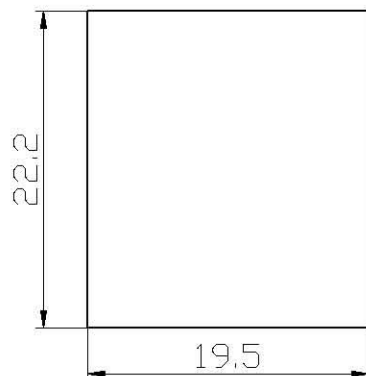
Operating Temperature :-25°C~+85°C

Electrical Life :10, 000 Cycles

Outline Drawing



Mounting



Circuitry

