

## Micro switch

### ◆ 安全可靠的中型开关 Safe, reliable basic switch

- 结构紧凑, 具有微小触点间隙, 快速动作、高灵敏和微小动作行程特点。  
Nice appearance, tight configuration. Characteristic: small contact gap, quick action, high sensitivity and small operating travel
- 长寿命, 高可靠: Long life, high reliability.
- 接线端子种类齐全: A variety of contact terminals
- 多种温度等级: A variety of temperature degree
- 动作力范围宽:  
A variety of models with low operating force to high operating force are available
- 采用热固性或热塑性塑料: Adopt thermosetting plastic or thermoplastic
- 配备各种形式动臂: A variety of levers
- 广泛应用于各种家用电器、电子设备、自动化设备、通讯设备、汽车电子、仪器仪表、电动工具等领域。  
Widely used in home appliance, electronic equipment, automatic machine, communication equipment, car electron, apparatus and instrument electric motion tool etc.

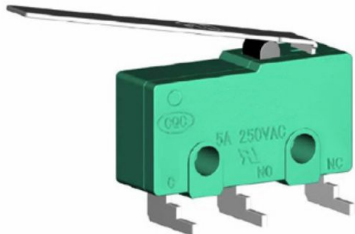
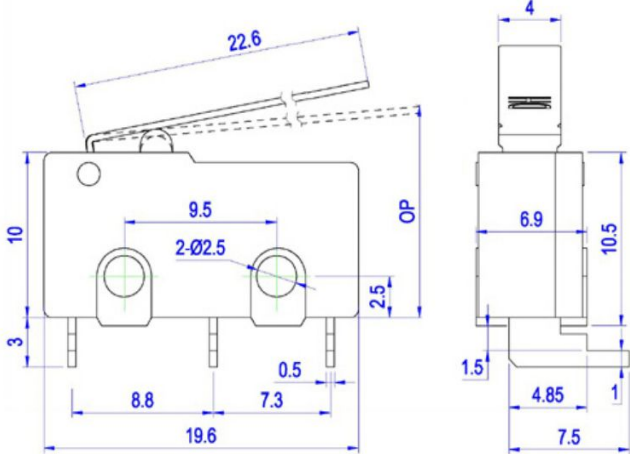
### ◆ 技术特性 Specifications

项目 Item		特性值 Value
工作速度 Operating speed		0.1mm~1m/s(与驱动方式有关) (Related with actuator forms)
工作频率 Operating frequency		机械60次/min Mechanical 60 cycles/min; 电气25次/min Electrical 25 cycles/min;
绝缘电阻 Insulation resistance		$\geq 100M\Omega$ (500VDC)
接触电阻 Contact resistance		$\leq 30M\Omega$ (初始值) (Initial value)
耐电压 Test voltage	同极不相接端子间 Between terminals of the same polarity	AC1000V, 50/60Hz, 1min
	带电子金属零件与地(外壳)之间、接线端与不带电金属件之间 Between current-carrying metal parts and ground(case), and between each terminal and non-current-carrying metal parts	AC3750V, 50/60Hz, 1min
抗振动 Vibration resistance		10~55Hz, 1.5mm双振幅 Double amplitude
抗冲击 Shock resistance		破坏: 动作力 > 0.5N: 1000m/s <sup>2</sup> (约100G) max 动作力 ≤ 0.5N: 400m/s <sup>2</sup> (约40G) max 故障: 动作力 > 0.5N: 200m/s <sup>2</sup> (约20G) max 动作力 ≤ 0.5N: 100m/s <sup>2</sup> (约10G) max Destruction: OF > 0.5N: 1000m/s <sup>2</sup> (approx. 100G) max OF ≤ 0.5N: 400m/s <sup>2</sup> (approx. 40G) max Malfunction: OF > 0.5N: 200m/s <sup>2</sup> (approx. 20G) max OF ≤ 0.5N: 100m/s <sup>2</sup> (approx. 10G) max
寿命 Life		机械 ≥ 1,000,000次; Mechanical ≥ 1,000,000 cycles 电气 ≥ 50,000次; Electrical ≥ 50,000 cycles

## 规格参数 Datasheet

Housing:	Nylon 66	Lever:	Iron with nickle plate
Terminal	Brass with sliver plated	House color:	Green or Black or Red
Contact Configuration:	SPDT	Switch Operation:	OFF – momentary ON
Rating:	5A 125VAC	Operating Temperature:	-25°C~+85°C
Contact Resistance:	≤30mΩ	Ambient Temperature Used:	<85% RH
Insulation Resistance:	≥100mΩ (500VDC)	Electrical Life:	≥ 10,000 Cycles
Dielectric strength:	1500VAC 1 minute	Mechanical Life:	≥ 100,000 Cycles
Terminal quantity	6 PINS	Mounting hole	12mm

## 外形尺寸和动作特性 Dimensions and operating characteristics

<p>SS0503-CR</p>		
------------------	---	---