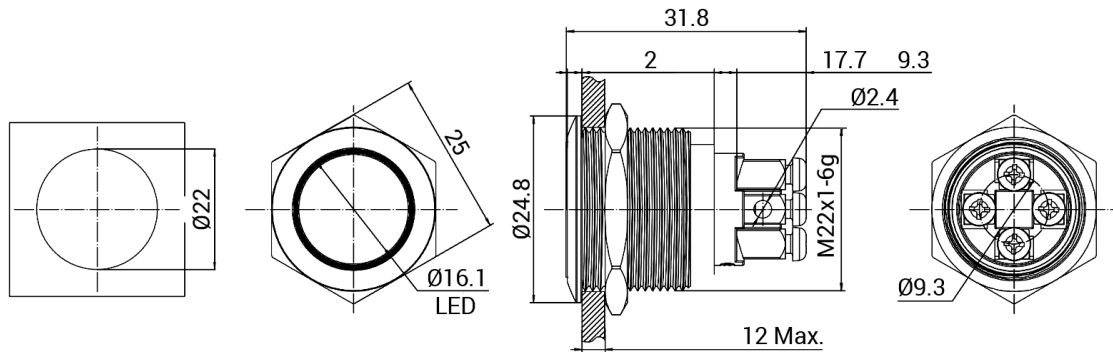


PRZ W22F11EW12/S screw.

- $\varnothing 22$ mm diameter
- Switch rating: 5A/250VAC
- Contact Configuration: 1NO1NC
- Operation type: Momentary/Alternate
- The crust material: Stainless steel
- Dot illuminated
- IP Degree: IP40/IP67



Dimensions in mm



Specification:		
The front shape		Flat round
Terminal type		Screw
Switching		No.2
Max. Switch Rating		Ith: 5A Ui:250VAC
Contact resistance		$\leq 50\text{m}\Omega$
Insulating resistance		$\geq 1000\text{M}\Omega$
Dielectric strength		2000VAC
Operating temperature		$-20^{\circ}\text{C}\sim+55^{\circ}\text{C}$
Mechanical life		1 000 000 cycles
Electrical life		50 000 cycles
Panel thickness		1~8mm
Torque		5-14Nm
Operation pressure		About 5.5N
Operation distance		About 2.5mm
IP Degree		IP65
Material	Contact	Silver alloy
	Button	Stainless Steel
	Body	Stainless Steel
	Base	PA
	RoHS	Made to order
LED Speed	Type	Ring illuminated (LED)
	Rated voltage	3V/6V/12V/24V/36V/110V/220V
	Color	Red, Green, Yellow, Orange, Blue, White
	Life	40 000 hours