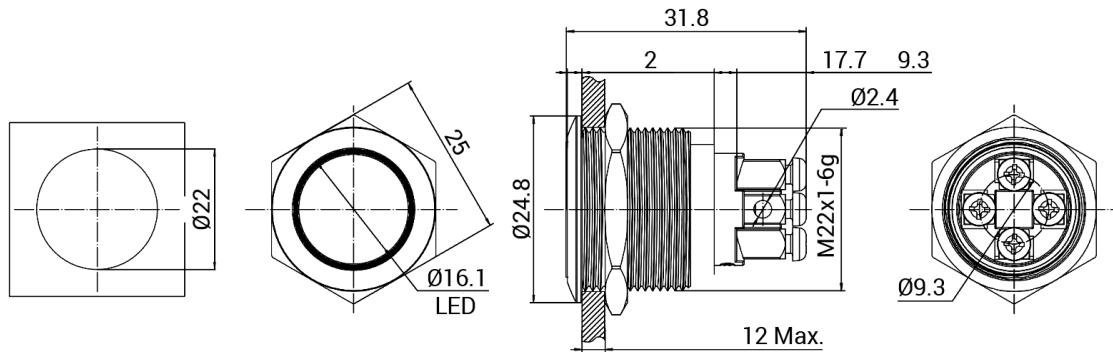


PRZ W22F11EW12/S screw.

- $\varnothing 22$ mm diameter
- Switch rating: 5A/250VAC
- Contact Configuration: 1NO
- Operation type: Momentary/Alternate
- The crust material: Stainless steel
- Dot illuminated
- IP Degree: IP40/IP67



Dimensions in mm



Specification:

The front shape	Flat round	
Terminal type	Screw	
Switching	No.2	
Max. Switch Rating	Ith: 5A Ui:250VAC	
Contact resistance	$\leq 50\text{m}\Omega$	
Insulating resistance	$\geq 1000\text{M}\Omega$	
Dielectric strength	2000VAC	
Operating temperature	$-20^{\circ}\text{C}\sim +55^{\circ}\text{C}$	
Mechanical life	1 000 000 cycles	
Electrical life	50 000 cycles	
Panel thickness	1~8mm	
Torque	5-14Nm	
Operation pressure	About 5.5N	
Operation distance	About 2.5mm	
IP Degree	IP65	
Material	Contact	Silver alloy
	Button	Stainless Steel
	Body	Stainless Steel
	Base	PA
	RoHS	Made to order
LED Speed	Type	Ring illuminated (LED)
	Rated voltage	3V/6V/12V/24V/36V/110V/220V
	Color	Red, Green, Yellow, Orange, Blue, White
	Life	40 000 hours