

# CRYSTAL UNIT

## 32.768KHZ

# YST310S X321532768KGD2SI



### Applications

- RTC.

### Features

- Dimensions: 3.20 x 1.50 x 0.75 mm.
- High precision and high frequency stability.
- Standard Frequency: 32.768KHz
- Excellent heat resistance and environmental characteristics.

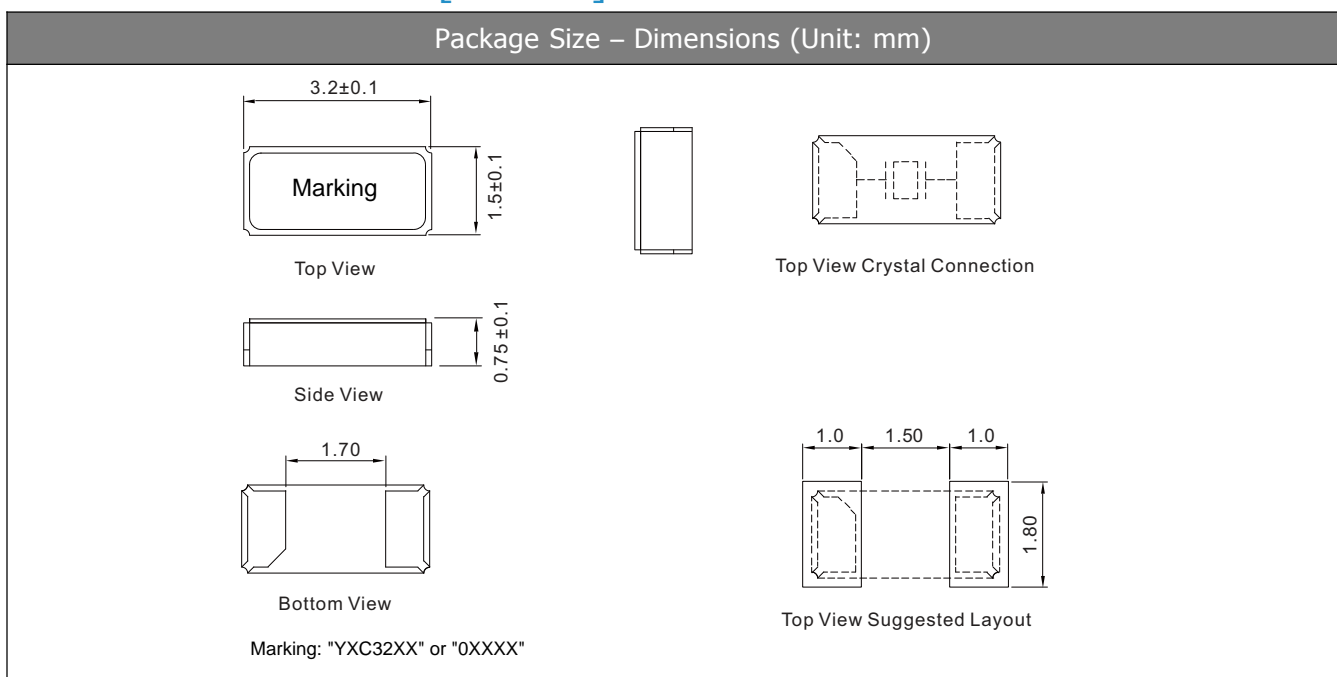
## Specifications

Standard Frequency	32.768 KHz
Load Capacitance	12.5pF
Frequency Tolerance (at 25 °C)	±20ppm
Parabolic Coefficient	$(-0.03 \pm 0.01) \times 10^{-6} / ^\circ\text{C}^2$
Operating Temperature	-40~+85 °C
Storage Temperature	-55~+125 °C
Shunt Capacitance	1.2 pF Max.
Motional Capacitance	4.4fF
Level of Drive	1.0µWMax
Aging (at 25 °C)	±3ppm/year Max.

## Equivalent Series Resistance(ESR)

YST310S
70K Ω Max.

## Dimensions and Patterns [unit:mm]



# CRYSTAL UNIT

32.768KHZ

**YST310S**

X321532768KGD2SI



## Reflow Soldering Profile

Pre Heating Temperature

Tp1 ~ Tp2 = + 170 °C

Heating Temperature

TMI = + 220 °C

Peak Temperature

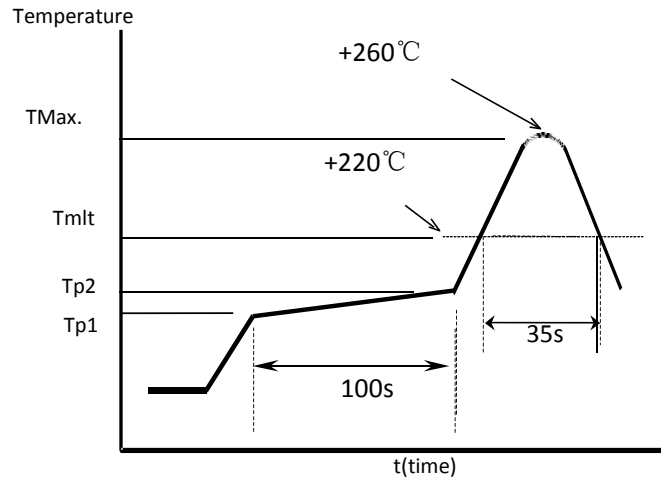
TMax. = + 260 °C

Point of measuring

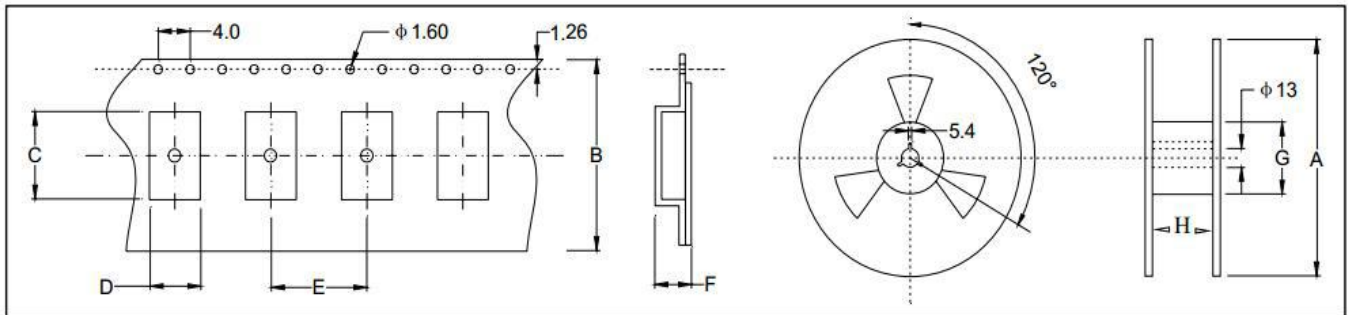
In case of Solder ability

Terminal.

In case of Resistance to soldering heat  
Surface.



## Taping Specification(Unit: mm)



Size	A	B	C	D	E	F	G	H
SMD-3215	180±2.0	12.0±0.3	3.45±0.1	1.75±0.1	4.0±0.1	1.05±0.1	61.0±1.0	12.0±1.0

3000 pcs per reel