

CRYSTAL UNIT

YSX321SL



X32258MSB4SI

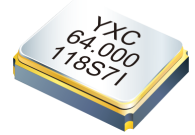
Applications

- SmartWearable IOT Communication.

Features

- Dimensions: 3.20 x 2.50 x 0.70 mm.
- Standard Frequency: 8 MHz

- High precision and high frequency stability.
- Extremely good for reducing EMI effect.



Specifications

Standard Frequency	8MHz
Vibration Mode	AT Fundamental
Load Capacitance	20pF
Frequency Tolerance (at 25 °C)	±10ppm
Frequency Versus Temperature Characteristics	±20ppm
Operating Temperature	-40~+85°C
Storage Temperature	-55~+125°C
Shunt Capacitance	7 pF Max.
Level of Drive	1~200µWMax. (100uW typical)
Aging (at 25 °C)	±3ppm/year Max.

Equivalent Series Resistance(ESR)

Fundamental	
8 ~ 11.2892MHz	150 Ω Max.
12 ~ 16 MHz	80 Ω Max.
17 ~ 64 MHz	50 Ω Max.

Dimensions and Patterns [unit:mm]

Package Size – Dimensions (Unit: mm)

The technical drawings show the following dimensions and features:

- Top View:** Overall width is 3.20±0.1 mm and height is 2.50±0.1 mm. The package is square with rounded corners. Marking is located in the center.
- Side View:** The package thickness is 0.7±0.1 mm.
- Bottom View:** Shows the four pins. The distance between pins 1 and 2 is 1.2 mm, and the pin width is 0.7 mm.
- Top View Crystal Connection:** Shows the internal connection points for pins 1, 2, 3, and 4, with GND connections.
- Top View Suggested Layout:** Shows the recommended pad layout for the pins. The distance between pads 1 and 2 is 1.4 mm, between 2 and 3 is 0.8 mm, and between 3 and 4 is 1.4 mm. The pad width is 1.2 mm, and the distance from the pad center to the package edge is 0.5 mm.

CRYSTAL UNIT

YSX321SL



X32258MSB4SI

Reflow Soldering Profile

Pre Heating Temperature

 Tp1 ~ Tp2 = + 170 °C

Heating Temperature

 TMlt = + 220 °C

Peek Temperature

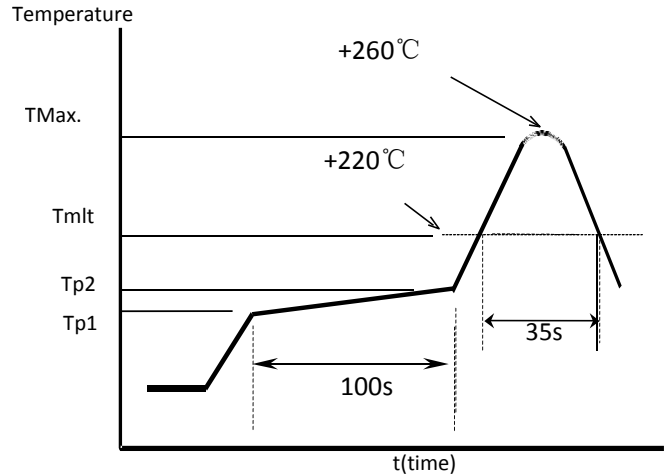
 TMax. = + 260 °C

Point of measuring

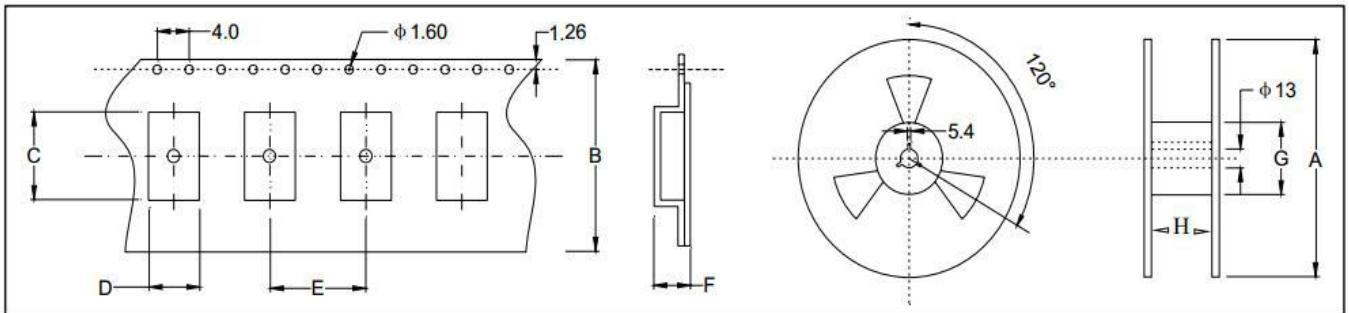
 In case of Solder ability

Terminal.

 In case of Resistance to soldering heat
 Surface.



Taping Specification(Unit: mm)



Size	A	B	C	D	E	F	G	H
SMD-3225	180±2.0	8.0±0.3	3.50±0.1	2.50±0.1	4.0±0.1	1.40±0.1	61.0±1.0	8.0±1.0

3000 pcs per reel