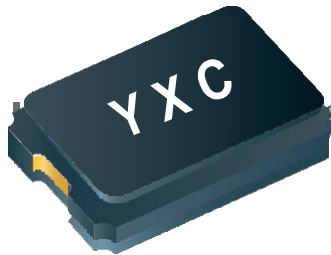


### Features



- External dimensions: 5.0 x 3.2 x 1.2 mm.
- Frequency range: 8MHz ~ 54MHz.
- 2 pads SMD glass sealed crystal units.
- High reliable environmental performance.
- Tight tolerance and stability parts are available.
- Designed for automatic mounting and reflow soldering.
- Reasonable cost and good delivery performance.
- Contains Pb in sealing glass exempted by RoHS directive.
- The best choice of portable PC, PDA, DSC, and USB interface card.

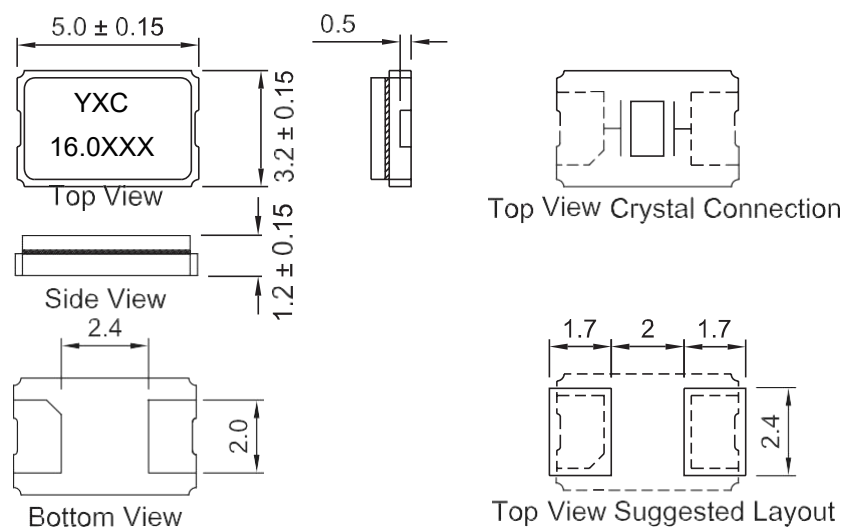
### Electrical Specifications

Part Number	X50328MSB2GI
Nominal Frequency Range	8 MHz
Vibration Mode	AT Fundamental
Load Capacitance	20 pF
Frequency Tolerance (at 25 °C)	± 10 ppm
Frequency Versus Temperature Characteristics	± 20 ppm
Operating Temperature	- 40 ~ + 85 °C
Storage Temperature	- 40 ~ + 105 °C
Shunt Capacitance	7 pF Max.
Level Of Drive	1~100 μW Max. (10 uW typical)
Frequency Aging (at 25 °C)	± 3 ppm / year Max.
Insulation Resistance	More Than 500MΩ at DC 100V

### Equivalent Series Resistance(ESR)

Fundamental	
8 ~ 12 MHz	60 Ω ~ 80 Ω
12 ~ 25 MHz	40 Ω ~ 60 Ω
25 ~ 54 MHz	30 Ω ~ 40 Ω

### Dimensions



Units: mm

给您一颗快乐的“芯”！

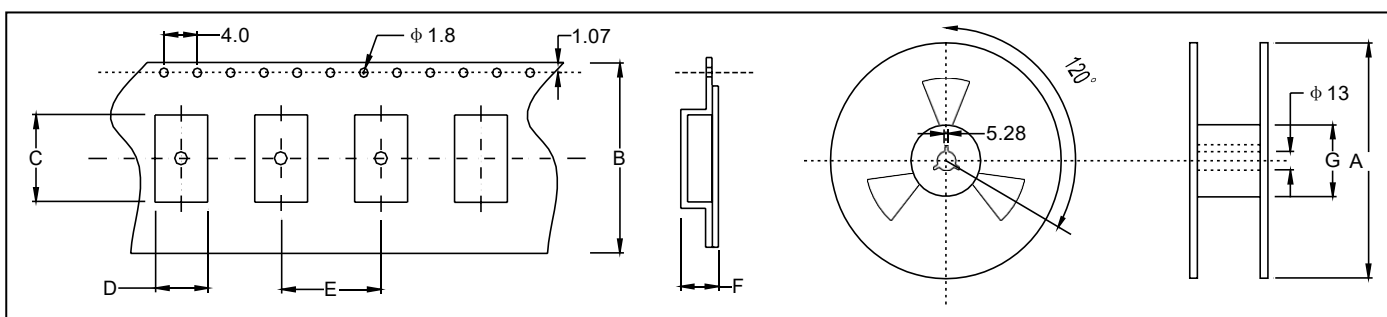
# YSX530GA X50328MSB2GI

★ PART NUMBER GUIDE 部件号示例 e.g. X50328MSB2GI

YSX530G A =5.0×3.2 SMD SEAMTYPE

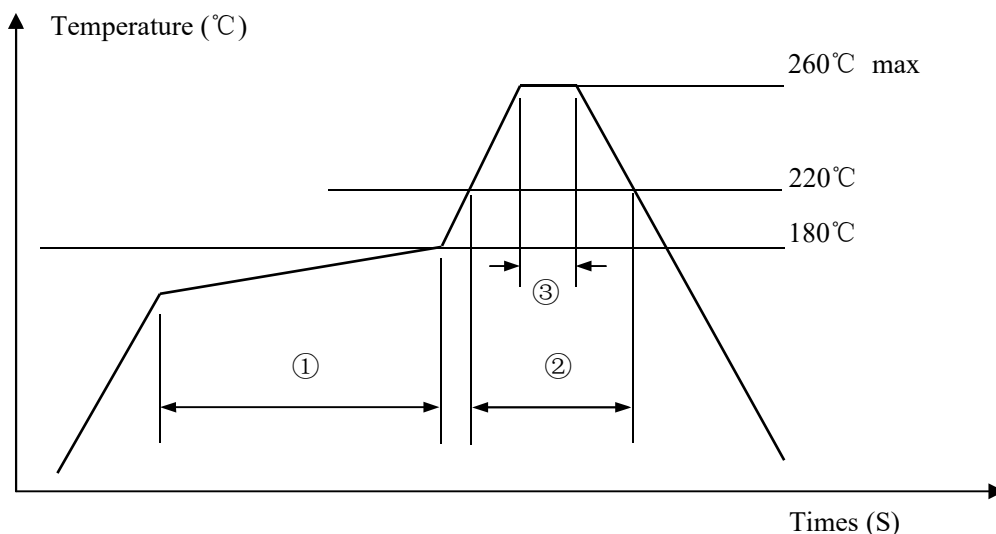
Quartz Crystal Resonator	Dimensions	Frequency (Hz)	Load Capacitance (Pf)	Frequency Stability Overall (ppm)	Pin	Material	Operating Temp. Range
Passive Crystal	5032	8MHz	20pf	10ppm	2	Ceramic	-40~+85 °C

★ TAPING SPECIFICATION (Unit: mm) 编带规格



	A	B	C	D	E	F	G
SMD5032	178±2.0	12.0±0.3	5.80±0.10	4.05±0.10	7.95±0.1	1.70 ±0.10	57.15±1.0
1000 pcs per reel							

★ REFLOW SOLDERING PROFILE 回流焊特性



Pb free reflow A	①	Preheat	160~180 °C	120sec. max
	②	Primary heat	220 °C	60sec. max
	③	Peak	260 °C	10sec. max.