

# CRYSTAL UNIT

# YSX530GA Glass Sealed

## X503225MSB2GI



### Applications

### Features

- Industrial Control Consumers.

- Dimensions: 5.00 x 3.20 x 1.20 mm.  
- Standard Frequency: 25MHz

- 2 pads SMD glass sealed crystal units.  
- Contains Pb in sealing glass exempted by RoHS directive.

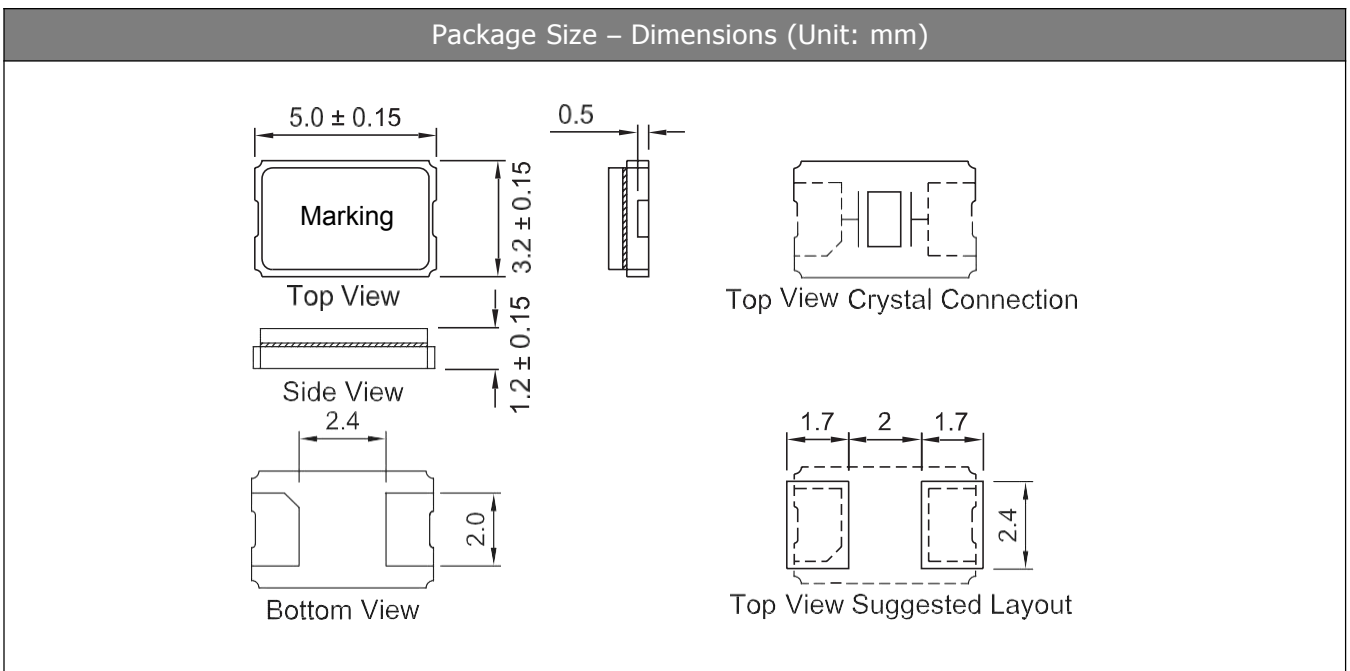
## Specifications

Standard Frequency	25 MHz
Vibration Mode	AT Fundamental
Load Capacitance	20pF
Frequency Tolerance (at 25 °C)	±10ppm
Frequency Versus Temperature Characteristics	±20ppm
Operating Temperature	-40~+85°C
Storage Temperature	-55~+125°C
Shunt Capacitance	5 pF Max.
Level of Drive	1~300µW Max. (100uW typical)
Aging (at 25 °C)	±3ppm/year Max.

## Equivalent Series Resistance(ESR)

Fundamental	
8 ~ 16MHz	80 Ω Max.
16 ~ 25 MHz	40~60 Ω Max.
25 ~ 54 MHz	30~40 Ω Max.

## Dimensions and Patterns [unit:mm]



# CRYSTAL UNIT

## YSX530GA



Glass Sealed

X503225MSB2GI

### Reflow Soldering Profile

Pre Heating Temperature

Tp1 ~ Tp2 = + 170 °C

Heating Temperature

TMit = + 220 °C

Peek Temperature

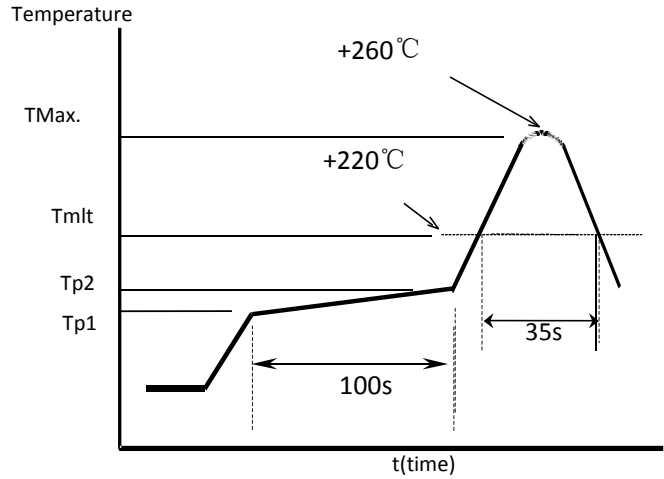
TMax. = + 260 °C

Point of measuring

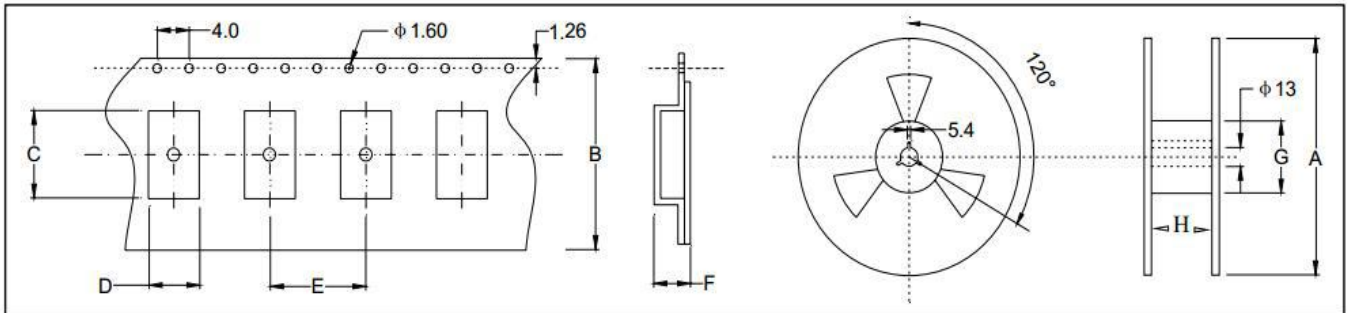
In case of Solder ability

Terminal.

In case of Resistance to soldering heat Surface.



### Taping Specification(Unit: mm)



Size	A	B	C	D	E	F	G	H
SMD-5032	180±2.0	12.0±0.3	6.35±0.1	3.85±0.1	8.00±0.3	1.80±0.1	61.0±1.0	12.0±1.0

1000 pcs per reel