

P/N: WTL7M12425
SEAM SEALED CERAMIC 7.0 X 5.0MM SMD



Customer	WTL
	Approved by: XoXo Lee
	Checked by: Susan He
	Issued by: Sheryl Xia

SPECIFICATION

维拓国际有限公司

WTL International Limited

Tel: 86-755-8267 7582 Fax: 86-755-82679302

www.wtlcrystals.com email: wtl@wtlcrystals.com

P/N: WTL7M12425
SEAM SEALED CERAMIC 7.0 X 5.0MM SMD



FEATURE

- Ultra thin, thickness 1.0mm
- Leadless type
- High precision characteristic covering up to high frequency range
- Automatic mounting
- Embossed taping specification
- Reflow soldering

APPLICATIONS

- Ideally suited designed for disc drives, NB, PCs and hand-held electronic products

ELECTRICAL SPECIFICATIONS

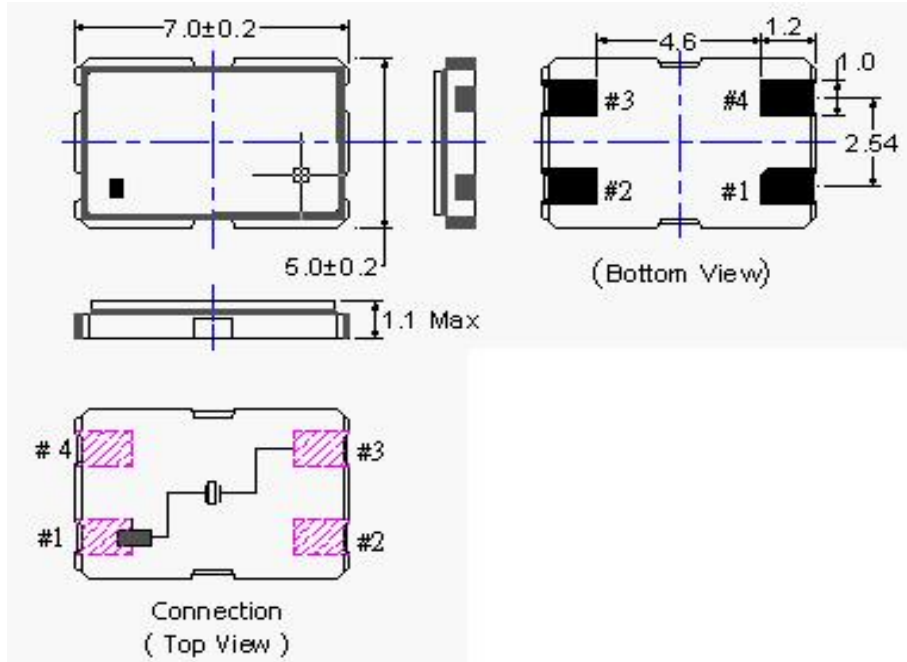
Output Frequency Range	25.000 MHz
Mode	Fundamental
Frequency Tolerance (at 25°C)	±30ppm
Frequency Stability Over Operating Temperature Characteristics	±30ppm
Storage Temperature Range	-55 °C to +125 °C
Operable Temperature Range	-20°C to +70°C
Shunt Capacitance (C ₀)	5.0 pF Max
Driver Level (Typical)	10µW~100µW
Load Capacitance(C _L)	20pF
Equivalent Series Resistance ESR ()	60 ohm max
Aging @25°C 1 st year (Max)	±5ppm/year
Shock Resistance	Drop test of 3 times on 2mm stainless plate from 75cm height

REMARK: SPECIFICATIONS SUBJECT TO CHANGE WITHOUT PRIOR NOTICE. PLEASE CONFIRM WITH OUR SALES ENGINEER.

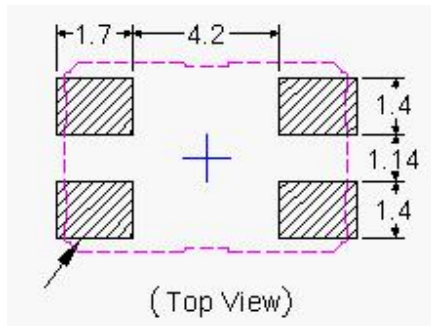
P/N: WTL7M12425
SEAM SEALED CERAMIC 7.0 X 5.0MM SMD



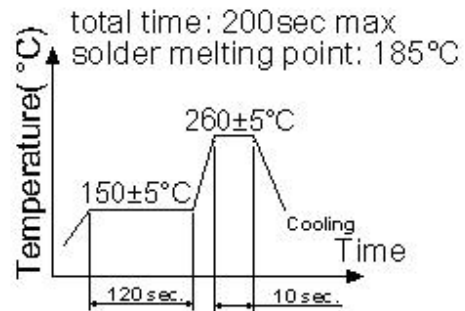
Dimension



Reference Land Pattern



Reflow Condition



PACKING:

