

P/N: WTL5M11009
SEAM SEALED CERAMIC 5 X 3.2mm SMD



Customer	WTL
	Approved by: XoXo Lee
	Checked by: Susan He
	Issued by: Sheryl Xia

SPECIFICATION

维拓国际有限公司

WTL International Limited

Tel: 86-755-8267 7582 Fax: 86-755-8267 9302

www.wtlcrystals.com email: wtl@wtlcrystals.com

P/N: WTL5M11009

SEAM SEALED CERAMIC 5 X 3.2mm SMD



FEATURE

- Ultra thin, thickness 1.0mm
- Leadless type
- High precision characteristic covering up to high frequency range
- Automatic mounting
- Embossed taping specification
- Suitable for Reflow soldering

APPLICATIONS

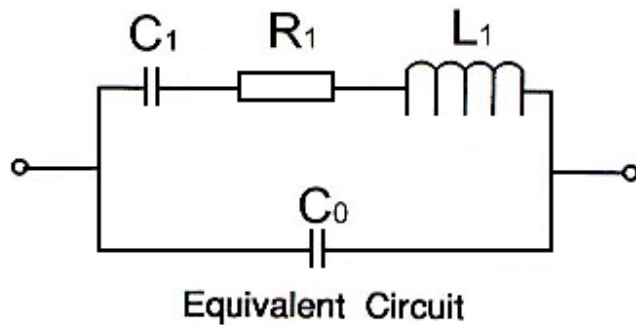
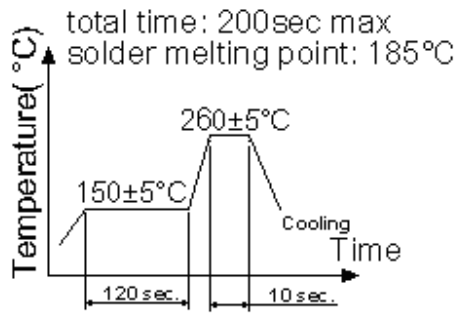
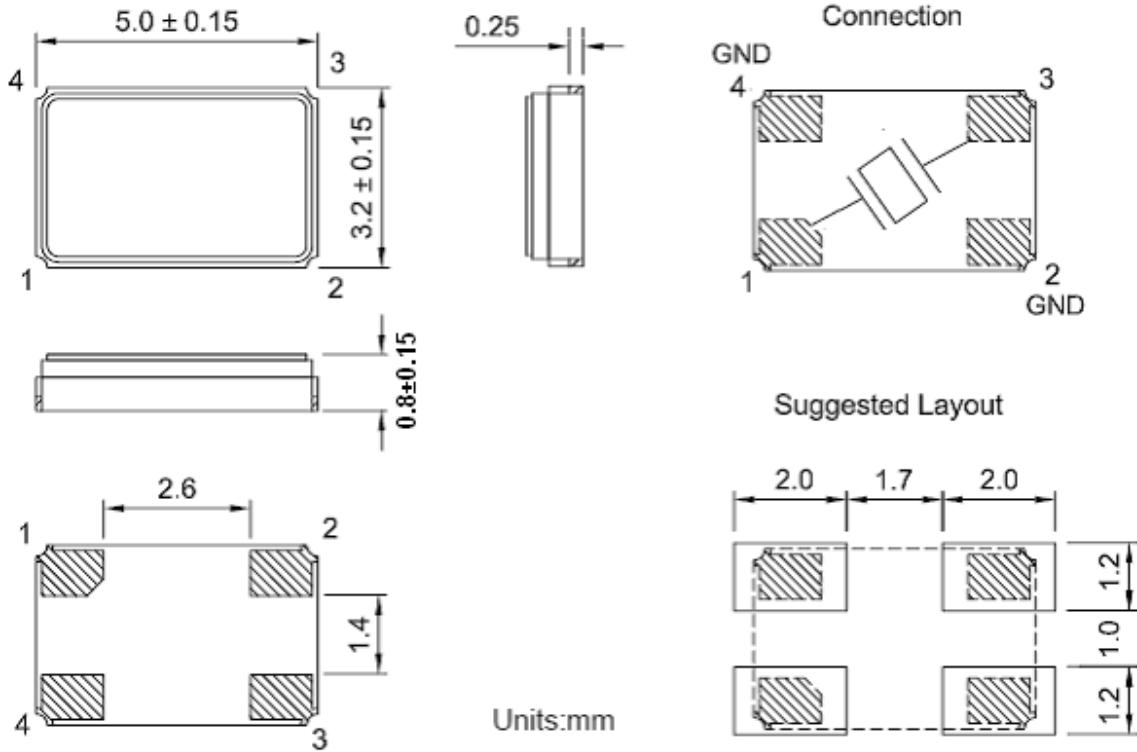
- Ideally suited designed for disc drives, NB, PCs and hand-held electronic products

ELECTRICAL SPECIFICATIONS

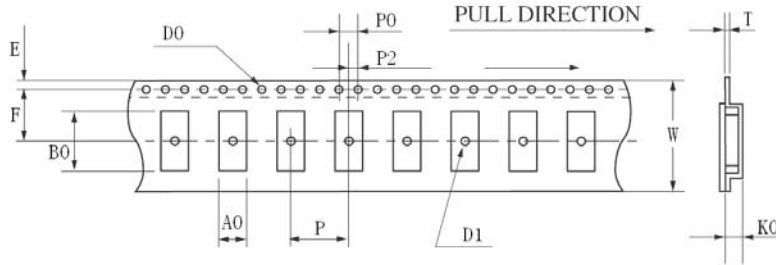
Output Frequency Range	32.000MHz
Mode	Fundamental
Frequency Tolerance (at 25°C)	±30ppm
Frequency Stability Over Operating Temperature Characteristics	±30ppm
Storage Temperature Range	-55 °C to +125 °C
Operable Temperature Range	-20 °C to + 70 °C
Shunt Capacitance (C ₀)	5.0 pF Max
Driver Level (Typical)	10μW~100μW
Load Capacitance(C _L)	20pF
Equivalent Series Resistance ESR	45Ω Max
Aging @25°C 1 st year (Max)	±5ppm/year
Shock Resistance	Drop test of 3 times on 2mm stainless plate from 75cm height

REMARK: SPECIFICATIONS SUBJECT TO CHANGE WITHOUT PRIOR NOTICE. PLEASE CONFIRM WITH OUR SALES ENGINEER.

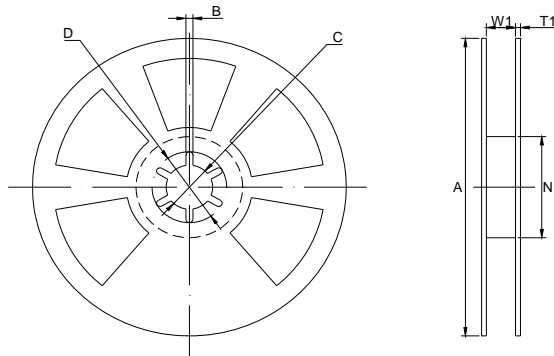
Dimension & Reflow Condition



P/N: WTL5M11009
SEAM SEALED CERAMIC 5 X 3.2mm SMD
PACKING



	HC-49SMD	8045	7050	6035	5032	4025	3225
W	24.00±0.30	16.00±0.05	16.00±0.05	12.00±0.05	12.00±0.05	12.00±0.05	12.00±0.05
E	1.75±0.10	1.75±0.10	1.75±0.10	1.75±0.10	1.75±0.10	1.75±0.10	1.75±0.10
F	11.5±0.10	7.5±0.10	7.5±0.10	5.5±0.10	5.5±0.10	5.5±0.10	5.5±0.10
T	0.40±0.05	0.35±0.05	0.35±0.05	0.35±0.05	0.35±0.05	0.35±0.05	0.30±0.05
P	12.00±0.10	8.00±0.10	8.00±0.10	8.00±0.10	8.00±0.10	8.00±0.10	4.00±0.10
P0	4.00±0.10	4.00±0.10	4.00±0.10	4.00±0.10	4.00±0.10	4.00±0.10	4.00±0.10
P2	2.00±0.10	2.00±0.10	2.00±0.10	2.00±0.10	2.00±0.10	2.00±0.10	2.00±0.10
D0	φ 1.50±0.10	φ 1.50±0.10	φ 1.50±0.10	φ 1.50±0.10	φ 1.50±0.10	φ 1.50±0.10	φ 1.50±0.10
D1	φ 1.50MIN	φ 1.50MIN	φ 1.50MIN	φ 1.50MIN	φ 1.50MIN	φ 1.50MIN	φ 1.50MIN
A0	4.60±0.10	4.85±0.10	5.40±0.10	3.90±0.10	3.60±0.10	2.80±0.10	2.85±0.10
K0	4.40±0.10	1.90±0.10	1.80±0.10	1.50±0.10	1.10±0.10	0.90±0.10	0.85±0.10
B0	14.20±0.15	8.60±0.15	7.40±0.10	6.40±0.10	5.40±0.10	4.30±0.10	3.55±0.10



	HC-49SMD	8045	7050	6035	5032	4025	3225
A	φ 330±1.0	φ 178±2.0	φ 178±2.0	φ 178±2.0	φ 178±2.0	φ 178±2.0	φ 178±2.0
B	2.30±0.20	2.00±0.50	2.00±0.50	2.00±0.50	2.00±0.50	2.00±0.50	2.00±0.50
C	φ 13.5±0.20	φ 13.2±0.20	φ 13.2±0.20	φ 13.2±0.20	φ 13.2±0.20	φ 13.2±0.20	φ 13.2±0.20
D	φ 21.5±0.20	φ 20.0 min	φ 20.0 min	φ 20.0 min	φ 20.0 min	φ 20.0 min	φ 20.0 min
N	φ 100.0±0.5	φ 60.5±1.0	φ 60.5±1.0	φ 60.5±1.0	φ 60.5±1.0	φ 60.5±1.0	φ 60.5±1.0
W1	24.5±0.20	16.5±0.20	16.5±0.20	12.5±0.20	12.5±0.20	12.5±0.20	12.5±0.20
T1	2.30±0.20	1.80±0.20	1.80±0.20	1.80±0.20	1.80±0.20	1.80±0.20	1.80±0.20