



Customer	WTL
	Approved by: XoXo Lee
	Checked by: Susan He
	Issued by: Sheryl Xia

SPECIFICATION

维拓国际有限公司

WTL International Limited

Tel: 86-755-8267 7582 Fax: 86-755-82679302

www.wtlcrystals.com email: wtl@wtlcrystals.com

WTL P/N:WTL5L21216
SEAM SEALED OSCILLATOR 5.0X3.2MM SMD



FEATURE

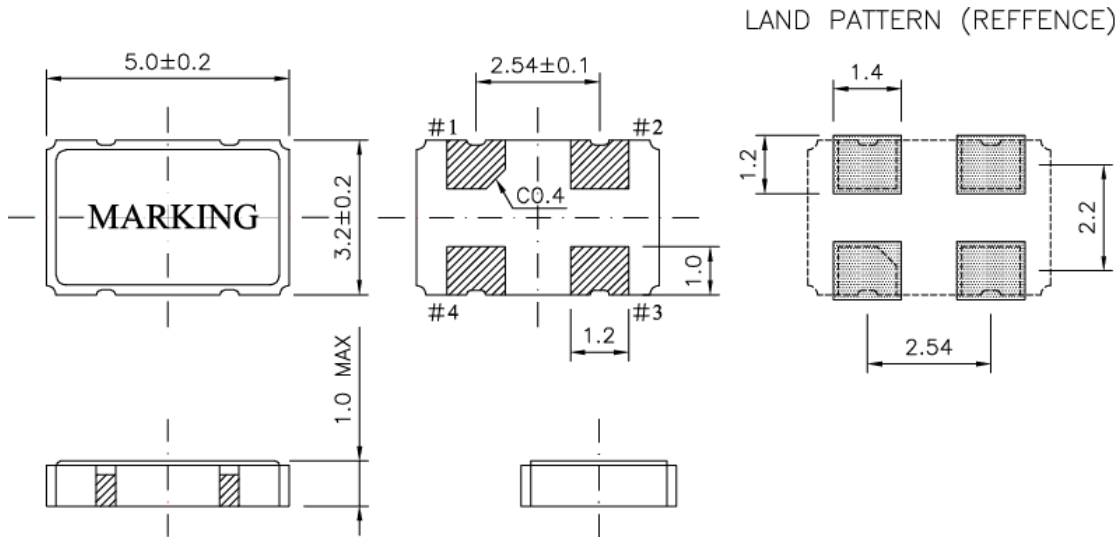
- Broad frequency range from 1.544Mhz to 125MHz
- Compact and thin ceramic package with metalized surface mounting and automatically loaded
- Reflow solder is possible
- Lower noise and current with reduced power consumption
- Built-in C-MOS IC with tri-state function
- 5V and 3.3V supply model available
- Ideally suited designed for use in PCs, NB, PCMCIA Cards, Palmtop Computer, Portable Applications



ELECTRICAL SPECIFICATIONS

Parameters	Condition\Model	Value
Fan Out Type		HCMOS
Supply Voltage		3.3V
Frequency Range		10.00MHz
Operating Temperature		-40+85°C
Input Current	Frequency Range	25mA max
Frequency Stability	All Conditions	±50ppm
Symmetry	AT 1/2 Vdd	45/55%
Output Voltage	Vol(max)	0.5V
	VoH(min)	4.5V
Rise/Fall Time	AT 0.1Vdd~0.9Vdd	10ns max
Drive Ability	CMOS load max	15pF
Start-up Time	Load RANGE	10ms max(15pF)
E/D Function	#1 OPEN	PIN #3 ACTIVE
	#1 >=2.2V	PIN #3 ACTIVE
	#1 <=0.8V	PIN #3 INACTIVE
PAD Connection	PIN#1 E/D	PIN#3 OUT
	PIN#2 GND	PIN#4 Vdd

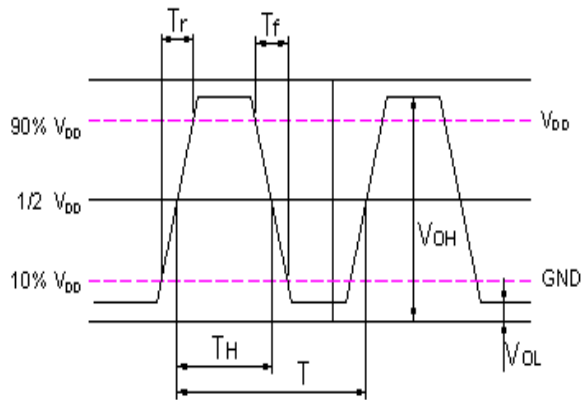
MARKING AND DIMENSIONS



PIN NO CONNECTION

- # 1 N.C.(INH)
- # 2 GND
- # 3 OUTPUT
- # 4 +VCC

WAVEFORM CONDITIONS



REFLOW CONDITION

