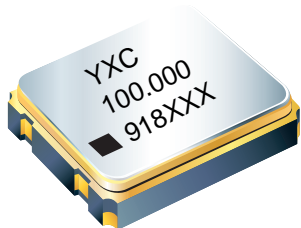




给您一颗快乐的“芯”！

YSO130HR



Features

- Package Size: 3.2*2.5 5.0*3.2 7.0*5.0mm
- Frequency range: 1MHz~100MHz.
- Ultra Small SMD seam sealed clock crystal oscillator units.
- Applications: WLAN,Bluetooth,RTC, DSL and other IT product.
- Tri-state function available

Electrical Specifications

Item / Type	YSO130HR
Output Frequency Range	1MHz~100MHz
Output Type	CMOS
Supply Voltage	5V, or specify
Oscillation Mode	Fundamental
Frequency Tolerance (at 25)	±10ppm, ±20ppm, or specify
Output Load	15 pF, or specify
Operating Temperature Range	-40~+85 °C , or specify
Frequency Versus Temperature Characteristics	± 20ppm, ± 30ppm, ± 50ppm, or specify
Storage Temperature Range	- 55 ~ + 125 °C
Voltage Vol (Max.) / Vol (Min.)	90%Vdd min./10%Vdd max
Symmetry	45~55%
Rise (Tr) / Fall (Tf) Time	4ns Max.
Start-up Time	3 ms Max.
Supply Current	See Below
Frequency Aging (at 25 °C)	± 3 ppm / year Max.

Dimensions

PAD	#1	#2	#3	#4
FUNCTION	Enable / Disable	GND	OUTPUT	VDD

Notes:

1. To maintain stable operation provide a 0.01uF to 0.1uF by-pass capacitor at a location as near as possible to the power source terminal of the crystal product(between Vcc-GND)

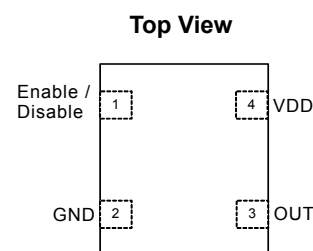


Figure 1. Pin Assignments

Package Size -- Dimensions(Unit:mm)	Recommended layout Pattern (Unit:mm)
<p>3.2x2.5x1.00mm</p>	



YSO130HR

给您一颗快乐的“芯”！



Package Size -- Dimensions(Unit:mm)	Recommended layout Pattern (Unit:mm)
<p>5.0x3.2x1.20mm</p>	
<p>7.0x5.0x1.30mm</p>	

★ INPUT CURRENT 工作电流

Vdc=5V		15pF only	
Frequency	Size	5V	
		7050/5032	3225
1~36MHZ		8mA max	8mA max
36~70MHZ		20mA max	20mA max
70~100MHZ		55mA max	25mA max

★ PART NUMBER GUIDE 部件号示例 e.g. OH322528.888MFBA4SL YSO130HR=3.2×2.5 SMD SEAM TYPE

Quartz Crystal Oscillator	Type Code	Package Size	Frequency (Hz)	Supply Voltage (V)	Frequency Stability Overall (ppm)	Output	Pin	Material	Operating Temp. Frequency Temp
O	H	3225 5032 7050	28.888M	F	B	A	4	S	L

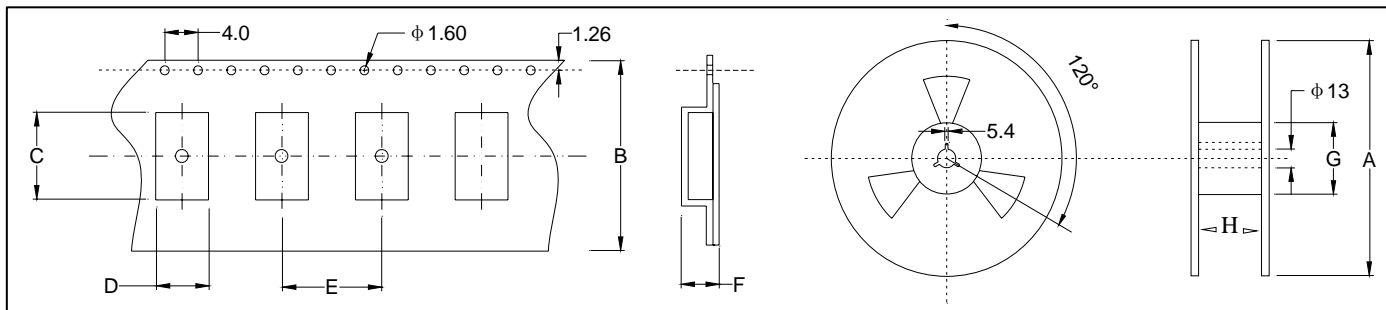


YSO130HR

给您一颗快乐的“芯”！

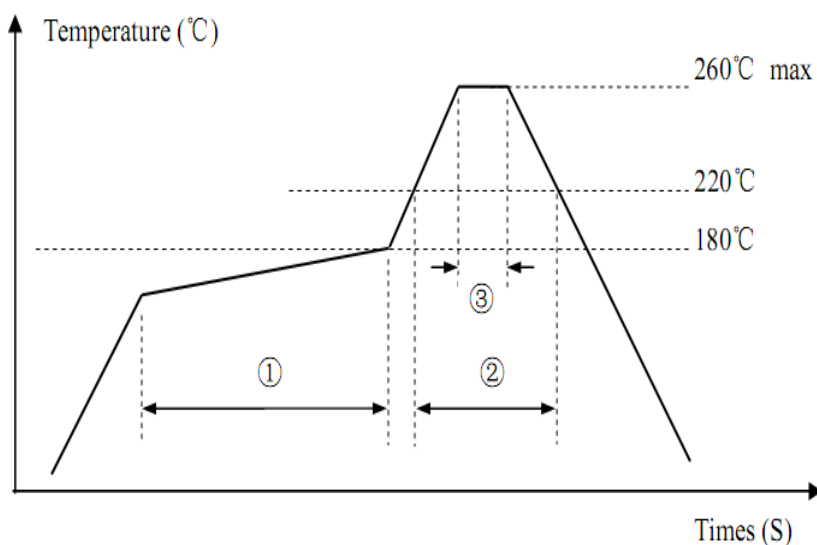


★ TAPING SPECIFICATION (Unit: mm) 编带规格



Size	A	B	C	D	E	F	G	H
OSC-SMD7050 1000 pcs	180±2.0	16.0±0.3	7.50±0.10	5.50±0.10	8.00±0.1	2.00±0.1	61.0±1.0	16.0±1.0
OSC-SMD5032 1000 pcs	180±2.0	12.0±0.3	5.40±0.10	3.60±0.10	8.00±0.3	1.70±0.1	61.0±1.0	12.0±1.0
OSC-SMD3225 3000 pcs	180±2.0	8.0±0.3	3.40±0.10	2.70±0.10	4.00±0.1	1.50±0.1	61.0±1.0	8.0±1.0

★ REFLOW SOLDERING PROFILE 回流焊特性



Pb free reflow A	①	Preheat	160~180°C	120sec. max
	②	Primary heat	220°C	60sec. max
	③	Peak	260°C	10sec. max.

★ Test Circuit 测试电路

