

P/N: WTL3L12728

SEAM SEALED OSCILLATOR 3.2*2.5mm SMD



Customer	WTL
	Approved by: XoXo Lee
	Checked by: Susan He
	Issued by: Sheryl Xia

SPECIFICATION

维拓国际有限公司

WTL International Limited

Tel: 86-755-8267 7582

Fax: 86-755-82679302

www.wtlcrystals.com

email: wtl@wtlcrystals.com

<http://www.wtlcrystals.com> Tel: 86-755-82677582 Fax: 86-755-82679302

SMD CRYSTAL OSCILLATOR



1. ELECTRICAL CHARACTERISTICS

Standard atmospheric conditions

Unless otherwise specified , the standard range of atmospheric conditions for making

measurement and tests are as follow :

Ambient temperature : $25 \pm 5^{\circ}\text{C}$

Relative humidity : 40%~70%

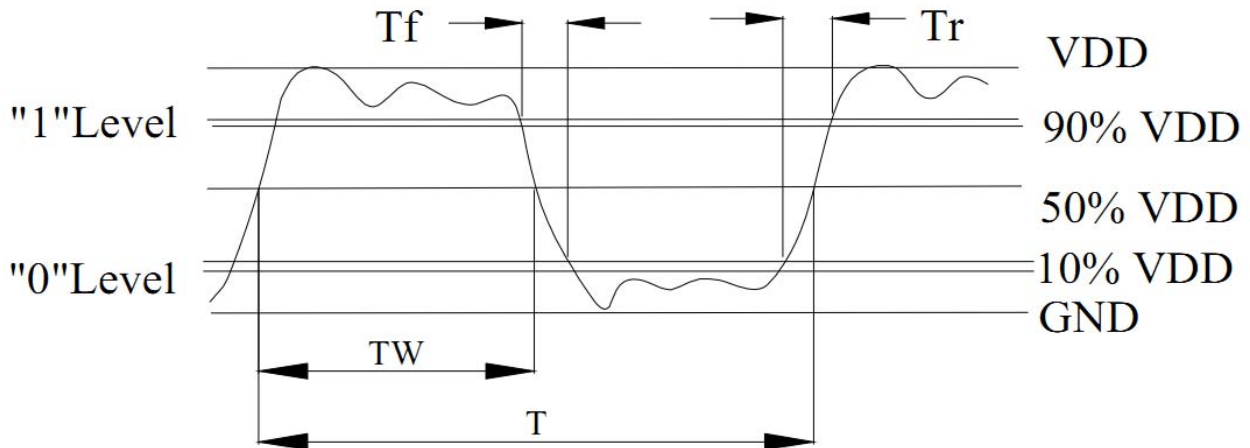
If there is any doubt about the results , measurement shall be made within the following limits : Ambient temperature : $25 \pm 3^{\circ}\text{C}$

Relative humidity : 40%~70%

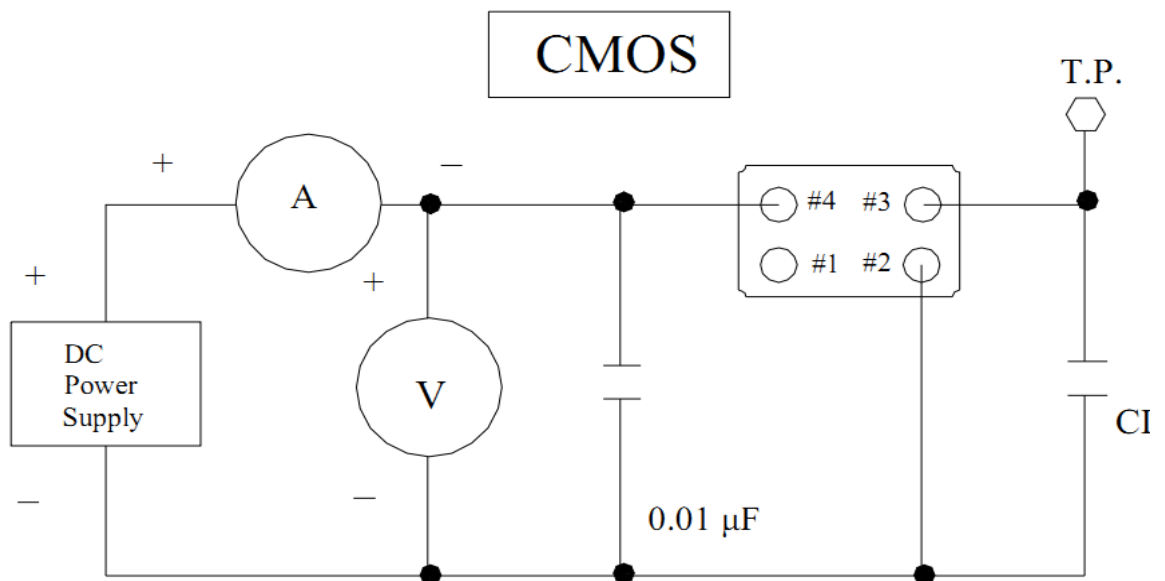
Cutting Model : AT CUT

Parameters	Condition\Model	Value
Fan Out Type		CMOS
Supply Voltage		3.3V
Frequency Range		26.000MHz
Operating Temperature		-20+70°C
Input Current		25mA max
Frequency Stability All condition		± 50 ppm
Symmetry	AT 1/2 Vdd	45/55%
Output Voltage	Vol(max)	0.33V
	VoH(min)	2.97V
Rise/Fall Time	AT 0.1Vdd~0.9Vdd	10ns max
Drive Ability	CMOS load max	15pF
Start-up Time	Load RANGE	10ms max(15pF)
E/D Function	#1 OPEN	PIN #3 ACTIVE
	#1 $\geq 2.2\text{V}$	PIN #3 ACTIVE
	#1 $\leq 0.8\text{V}$	PIN #3 INACTIVE
PAD Connection	PIN#1 E/D	PIN#3 OUT
	PIN#2 GND	PIN#4 Vdd

2. C - MOS LOAD OUTPUT WAVEFORM



3. C - MOS LOAD TEST CIRCUIT



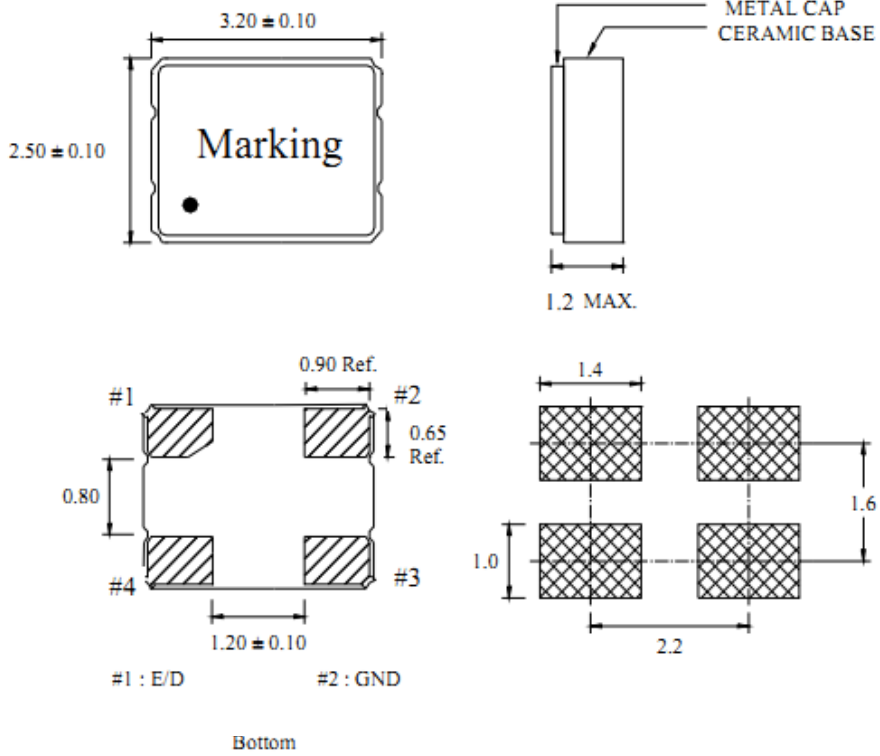
***Because SMA series has no by pass capacitor.
So,we recommend our customer to use capacitor 0.01 μF
in join Vcc and GND.

P/N: WTL3L12728

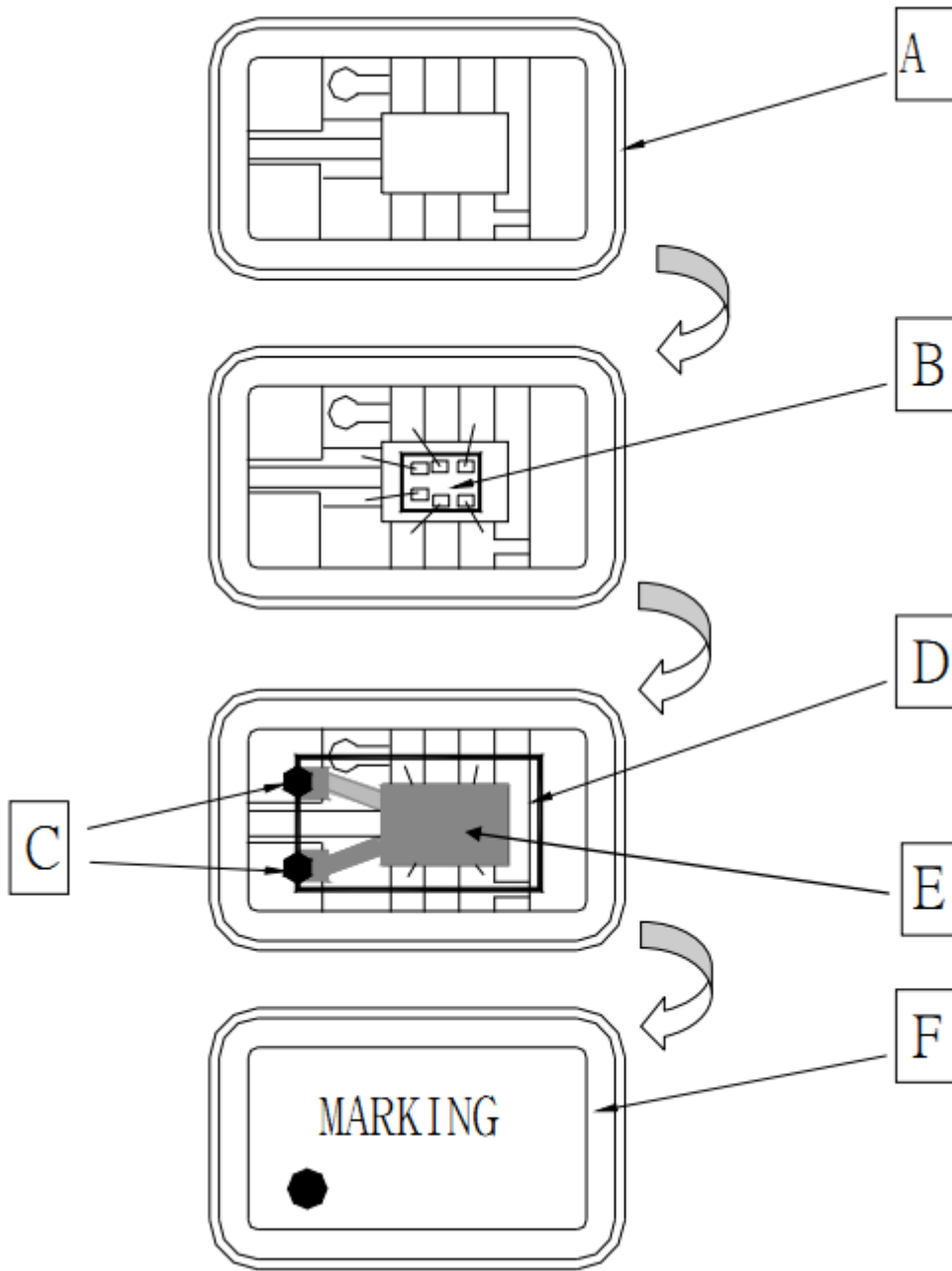


SEAM SEALED OSCILLATOR 3.2*2.5mm SMD

4. DIMENSION:



5. STRUCTURE ILLUSTRATION



COMPONENTS		MATERIALS	COMPONENTS		MATERIALS
A	Base (Package)	Ceramic (Al ₂ O ₃)+Kovar (Fe/Co/Ni)	D	Crystal blank	SiO ₂
B	IC chip	-	E	Electrode	Cr / Ag
C	Conductive adhesive	Ag / Silicon resin	F	Lid	Fe/Co/Ni

P/N: WTL3L12728

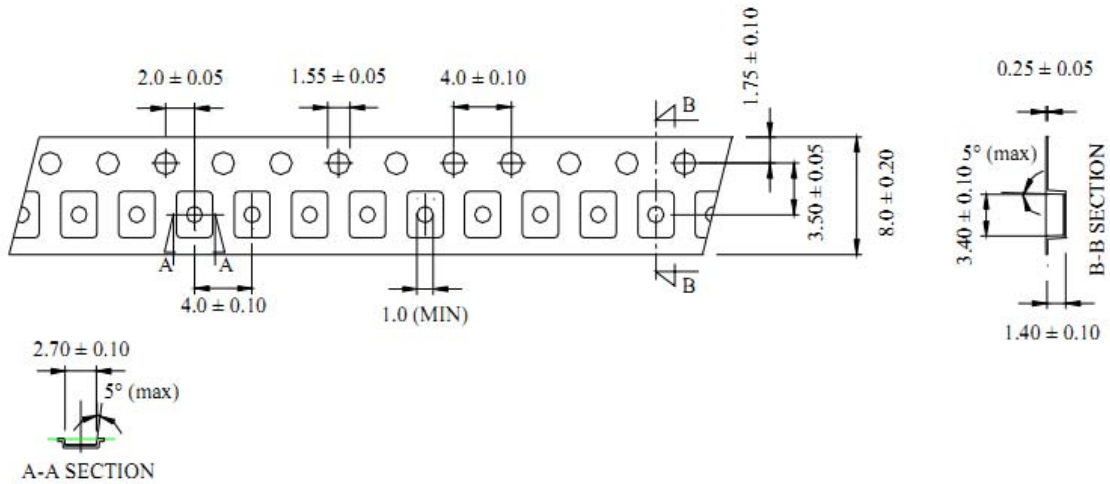


SEAM SEALED OSCILLATOR 3.2*2.5mm SMD

6. PACKING

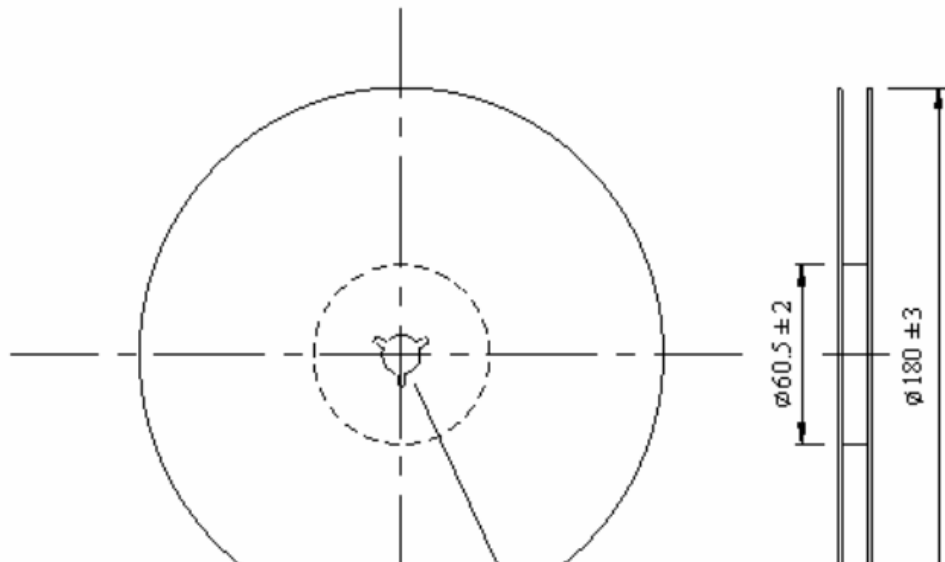
TAPE SPECIFICATION

(Unit: mm)

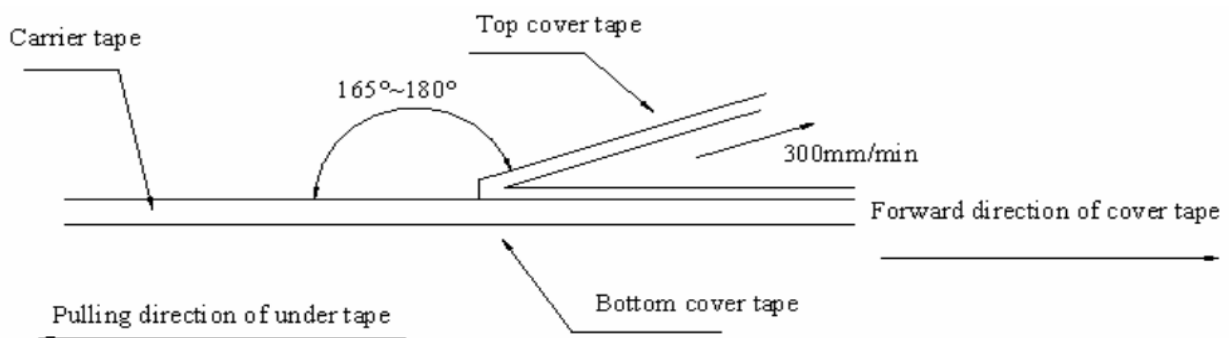


7. OUTLINE DIMENSION

(Unit: mm)



8. COVER TAPE ADHESION STRENGTH

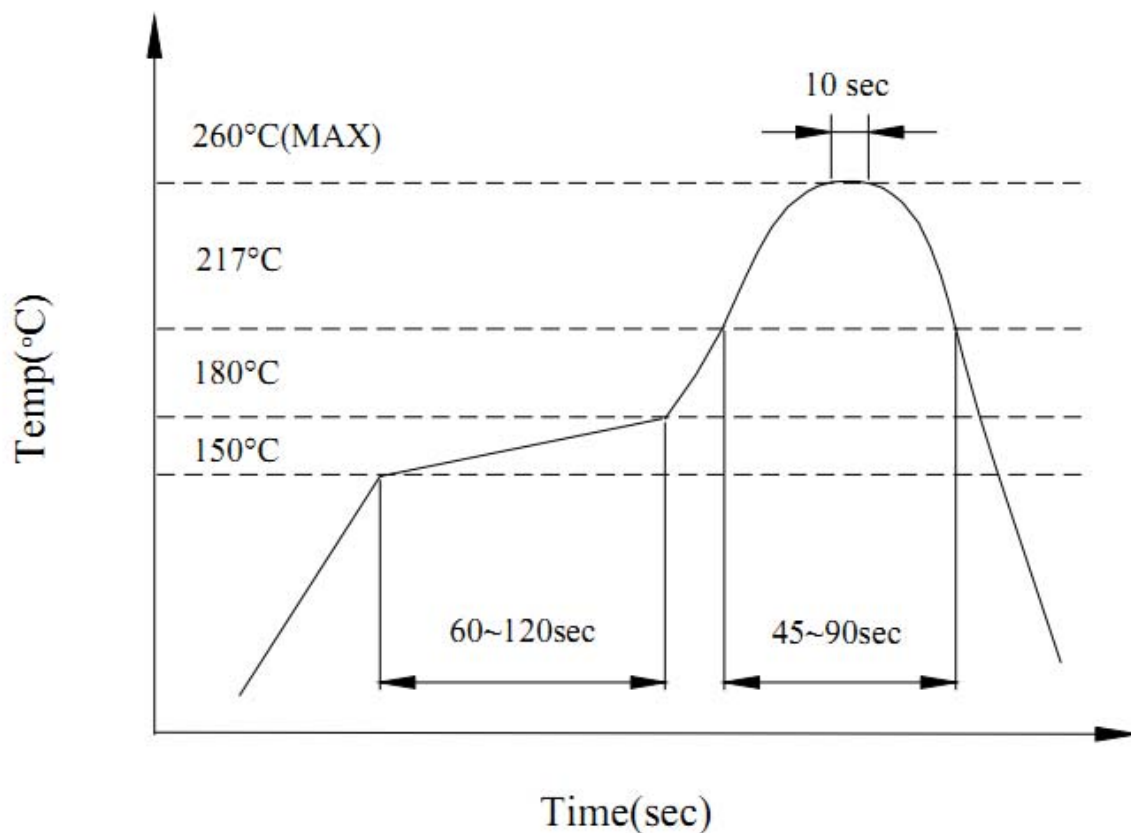


*** In the case, the cover tape is pulled off under the above conditions, the cover tape adhesion strength should be 10.2g~71.4g

Plastic tape: 10.2g~71.4g

(Cover tape adhesion strength)

9. SOLDERING REFLOW PROFILE

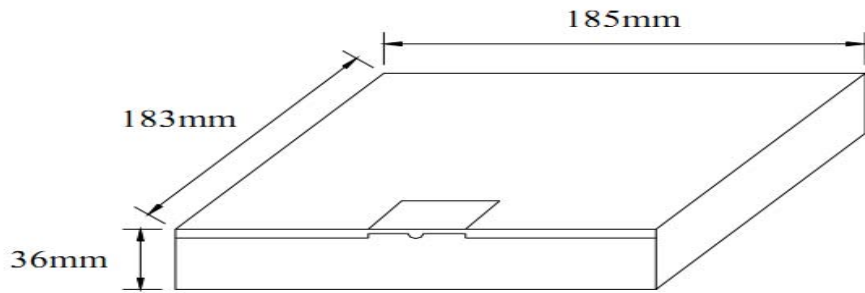


10. PACKING

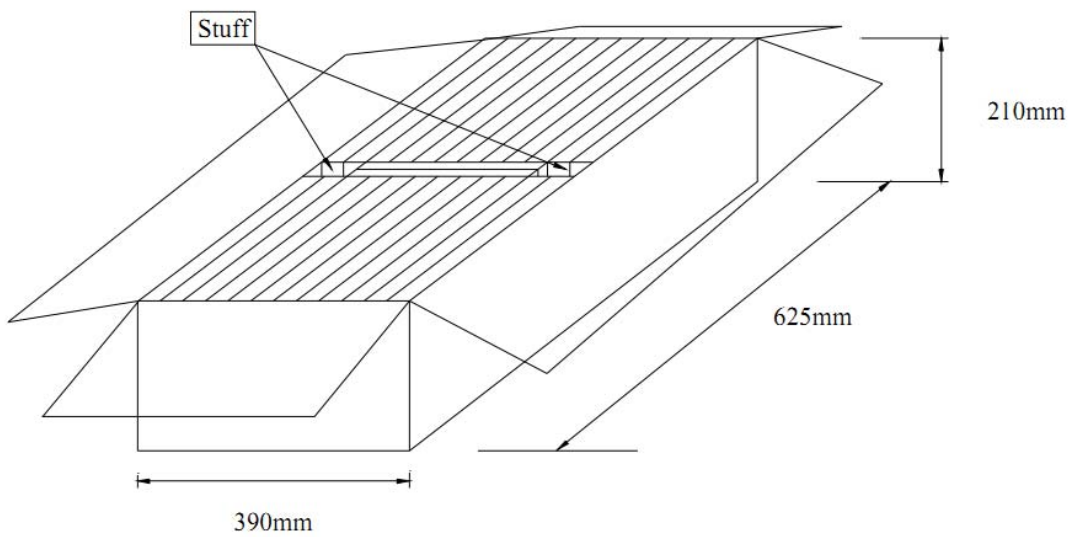
P/N: WTL3L12728



SEAM SEALED OSCILLATOR 3.2*2.5mm SMD



PIZZA BOX = 3000 PCS / REEL(MAX)



SMD product packs 32 BOX = The outside box packs (3000 PCS * 32 BOX = 96000 PCS)(MAX)