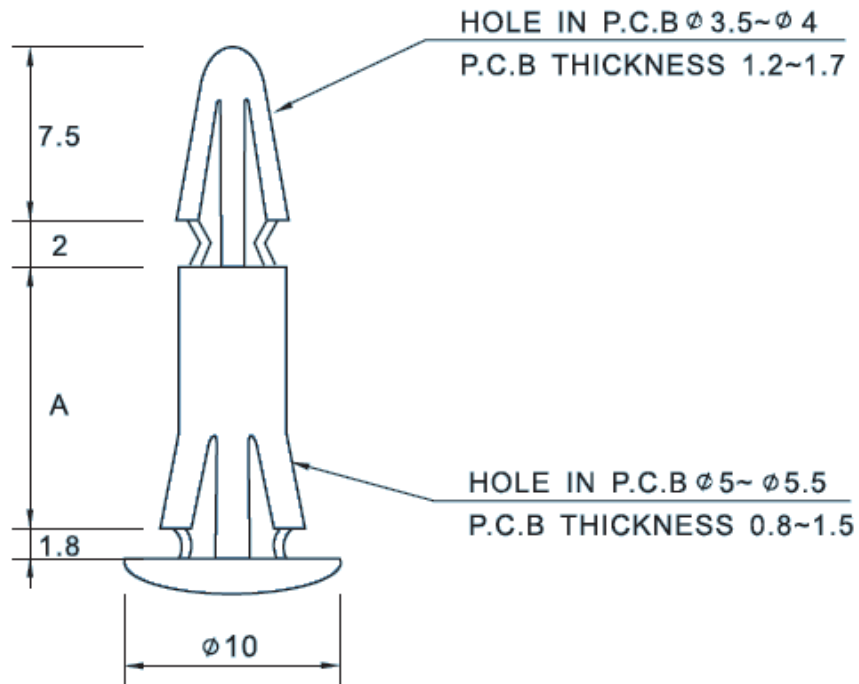


# RC SERIES

SYMBOL	A	PACKING
RC-3	3.5	2000 PCS
RC-5	5.0	
RC-6	6.4	
RC-8	8.0	
RC-10	10.0	
RC-12	12.0	
RC-14	14.0	
RC-19	19.0	



Material:  
 Nylon66 (UL) (RoHS)  
 Flame Class: 94V-2  
 Color: Natural

Unit: mm

