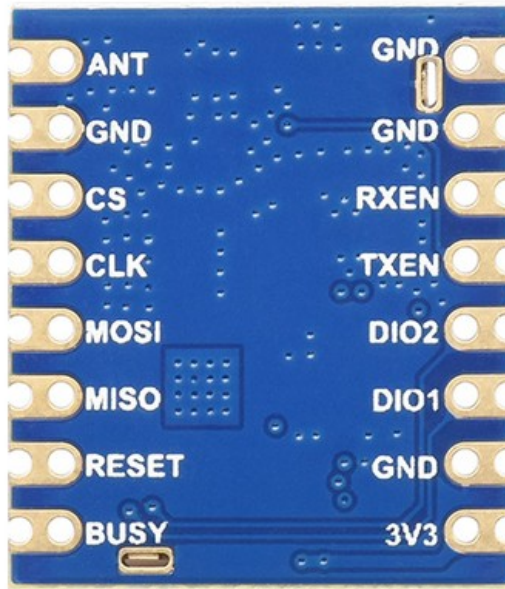


Specifications

VERSION	CORE1262-HF	CORE1262-LF
RF CHIP	SX1262	
FREQUENCY RANGE	HF: 850 ~ 930MHz	LF: 410 ~ 510MHz
MODULATION	LoRa/(G)FSK	
DATA RATE	0.018~62.5Kbps (LoRa) 0.6~300Kbps ((G)FSK)	
EMIT POWER	22dBm@3.3V	
SPREADIND FACTOR	SF5 ~ SF12	
OPERATING VOLTAGE	3.3V	
MODULE POWER CONSUMPTION	emitting current: 45mA@14dBm receiving current: 5.3mA@125KHz	emitting current: 107mA@22dBm receiving current: 5.3mA@125KHz
COMMUNICATION BUS	SPI	
OPERATING TEMPERATURE	0 ~ 85°C	
CONNECTOR	castellated edge / solder holes, pitch 2.54mm	
DIMENSIONS	19.00×22.00mm	

Pinout Definition



ANT	Antenna Pin	GND	Ground
GND	Ground	GND	Ground
CS	SX1262 CS pin	RXEN	RF RX enable
CLK	SX1262 CLK pin	TXEN	RF TX enable
MOSI	SX1262 MOSI pin	DIO2	SX1262 DIO2 pin
MISO	SX1262 MISO pin	DIO1	SX1262 DIO1 pin
RESET	SX1262 RESET pin	GND	Ground
BUSY	SX1262 BUSY pin	3V3	Power input