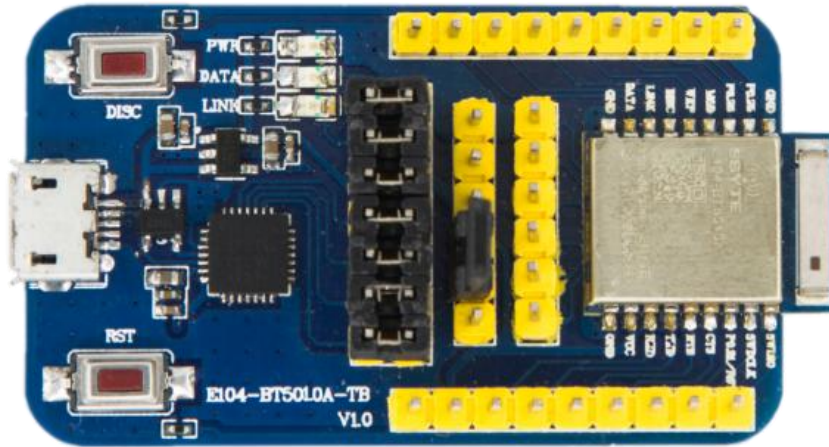




**E104-BT5010A-TB**  
**User Manual V1.0**

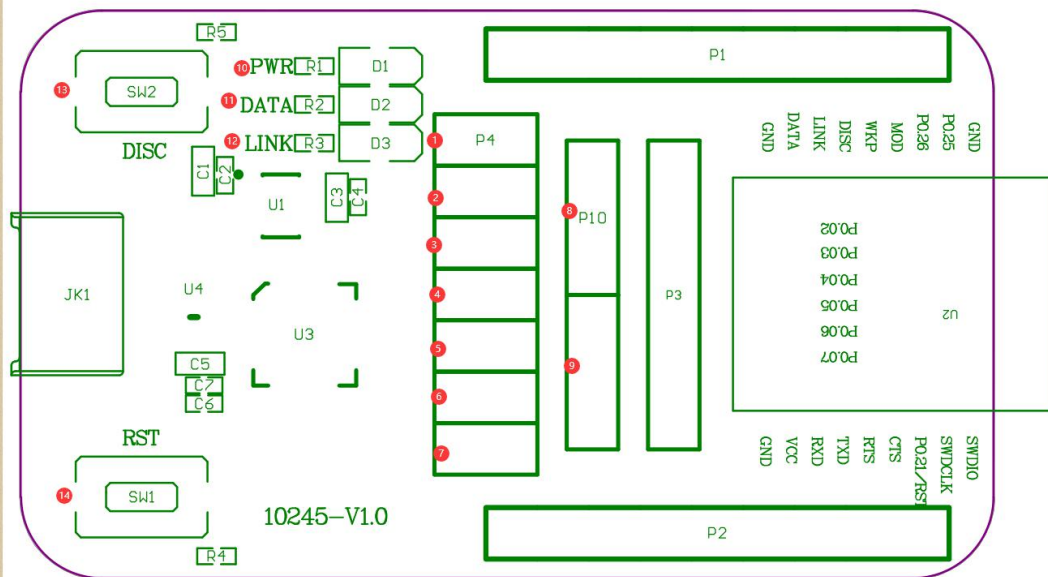
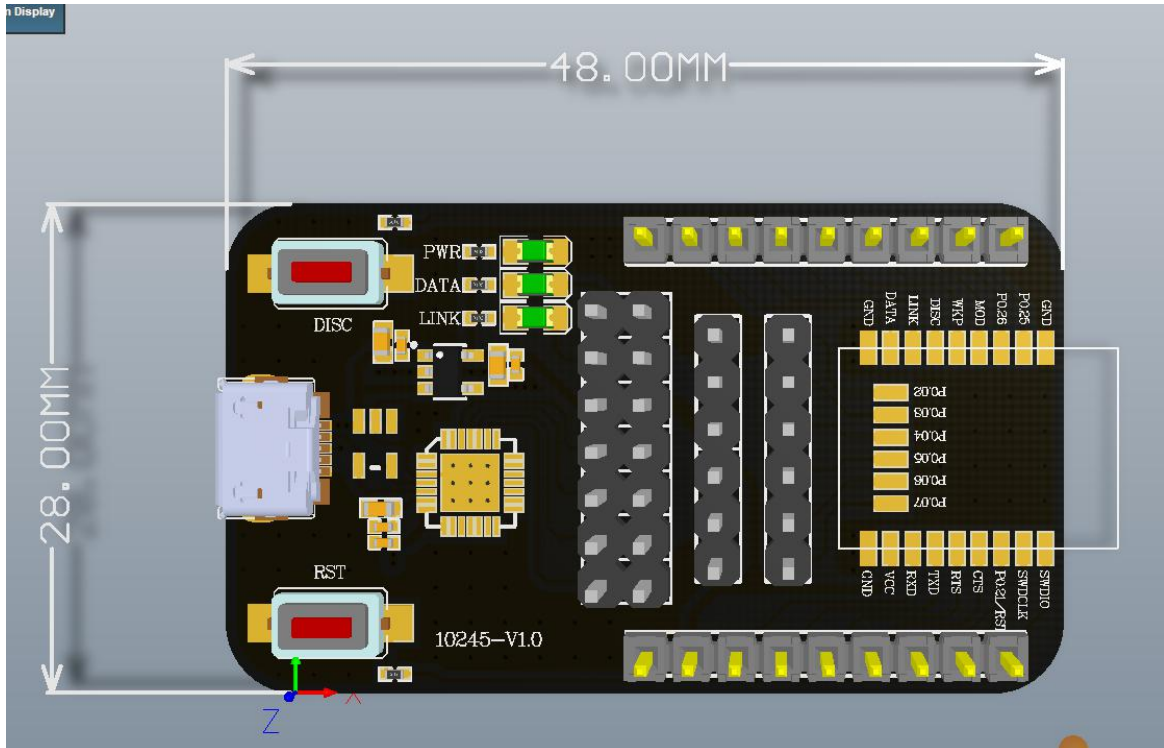


# 1. Introduction



1. This product is used to test and develop the E100 series wireless modules (E104-BT5032A, E104-BT5010A). E104-BT5010A-TB has been pre-soldered with E104-BT5010A. For detailed instructions, please refer to the module manual.
2. All IO of E104 series wireless modules have been led out.
3. This product has CP2102 serial port chip, which can be used for serial communication development.
4. This product has a USB interface, which can be directly plugged into a computer.
5. Users can use this product to connect external power supply and serial port.
6. This product is stable and easy to develop.

## 2.Pin Definitions



**Definitions:**

①	DATA jumper selection	②	LINK jumper selection
③	External 3.3V power supply port, current test point	④	Serial port RXD selection port
⑤	Serial port TXD selection port	⑥	Flow control CTS selection port
⑦	Flow control RTS selection port	⑧	WKP select port
⑨	MODE select port	⑩	Power Indicator
⑪	DATA indicator, flashes when sending data	⑫	LINK indicator, module connection indicator
⑬	DISC button, disconnect all connections	14	reset button

Please refer to the module manual for more details.

### 3.Software

This product uses CP2102 chip as the serial port core. Please download [Driver\\_CH341SER](#) for serial port communication test.

#### About us

Sales hotline: 4000-330-990

Tel: 028-61399028

Support: [support@cdebyte.com](mailto:support@cdebyte.com)

Website: [www.ebyte.com](http://www.ebyte.com)

Address: Building B5, Mould Industrial Park, 199# Xiqu Ave, West High-tech Zone, Chengdu, 611731, Sichuan, China



**Chengdu Ebyte Electronic Technology Co.,Ltd.**