

## 1. Electrical Characteristics

Antenna		
1	Antenna model	1240A(12mm*12mm*4mm)
2	Frequency Range	1575.42MHz±3MHz
3	V.S.W.R	2.0 MAX
4	Band With@10dB	5 MHz MIN
5	Gain	-3.0dB typ @13mm*13mm groundplane
6	Impedence	50Ω
7	Polarization	RHCP
LNA		
1	Frequency Range	1575.42MHz±2MHz
2	DC Voltage	3.0±0.5V
3	DC current	4.2mA(@3.0V)
4	Gain	15±3dB(without cable @25°C±10°C)
5	Output VSWR	2.0 MAX
6	Noise Figure	1.5 MAX
Overall performance(Complete module including RF connector)		
1	Frequency Range	1575.42MHz±3MHz
2	DC Voltage	3.0±0.5V
3	DC current	4.2mA(@3.0V)
4	Gain	14 dB Typ
5	Noise Figure	1.5 MAX
6	Band With@10dB	5 MHz MIN
7	V.S.W.R	2.0 MAX
8	Impedence	50Ω

## 2. Material

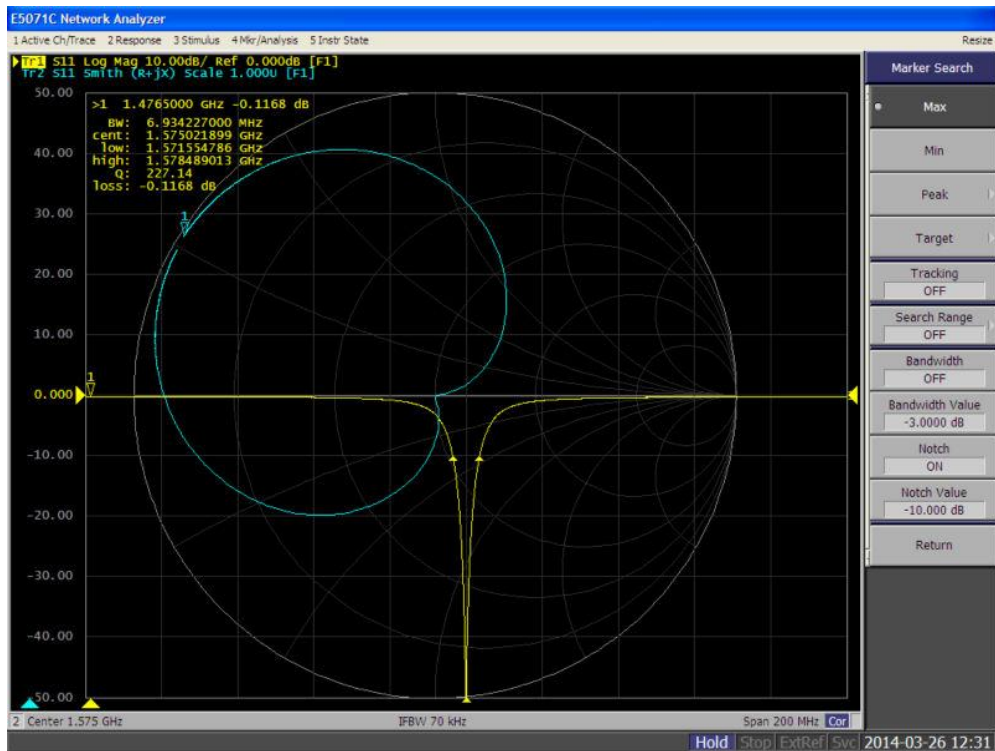
No	Part Name	SPEC
1	Antenna	Dielectric Ceramics
2	PCB	FR4
3	Shielding Case	Tin
		8.1mm×7.4mm×1.5mm
4	RF Cable	RF1.13mm
		L=25mm ( or others )
5	RF Connector	IPEX ( or others )

### 3.Environment Condition

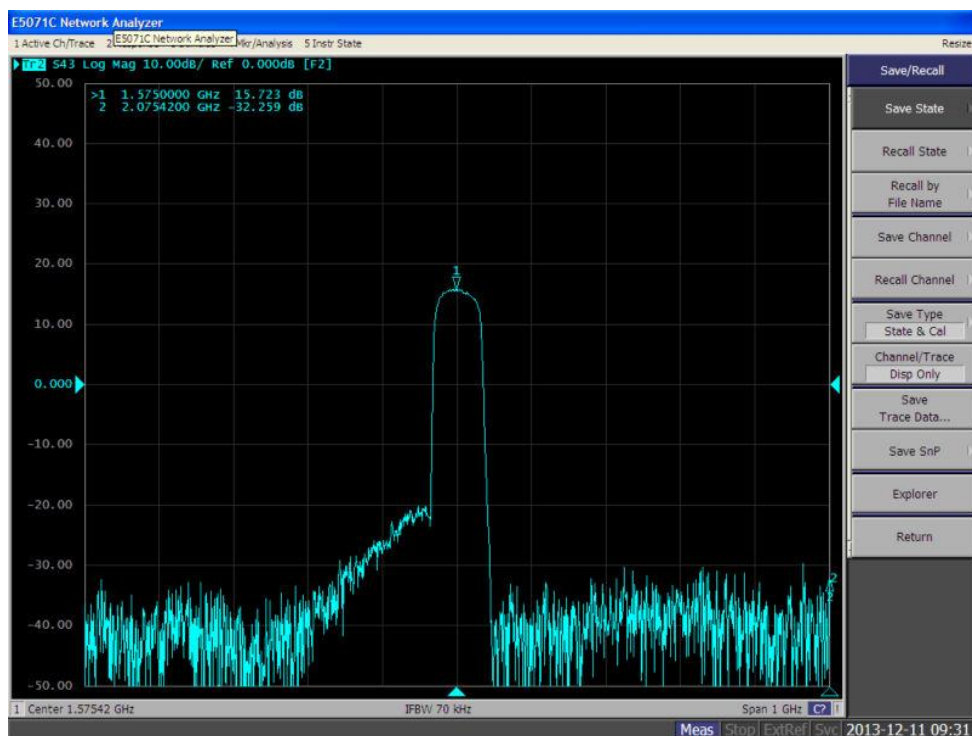
1	Working Temp	-40°C~+85°C, 10%~95% RH
2	Storage Temp	-55°C~+100°C, 10%~95% RH
3	Vibration	Sine sweep @1.5mmAM 10~55Hz each Axis

### 4.Testing Curve

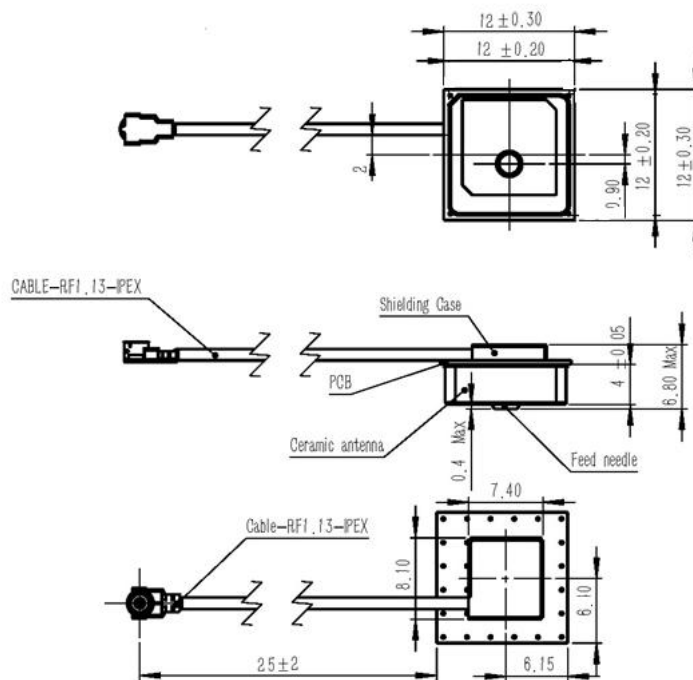
#### 1.Patch Simth& VSWR



#### 2.LNA Gain



## 5. Structure



## 6. RoHS Compliance

## 7 . Brief Introduction of ZHENHAN Microwave Products

Our microwave dielectric products mainly include dielectric patch antennas, filters, duplexers and GPS modules, which are widely used for positioning, satellite broadcasting receiver system, RFID, ETC and so on. We are dedicated in the development of core technologies and have achieved the leading position in the ceramic powder formula, manufacturing processes and test technologies. Some products and processes are authorized national patents. Customized products are available.

Memo: Above specification subject to change without further notice. Please contact us for more details.

)