

NOTES:

1. MATERIALS:

HOUSING:

"BLANK"=NYLON 6/6, UNFILLED UL94 V-2, COLOR: NATURAL

"210"=NYLON 6/6, UNFILLED UL94 V-0, COLOR: NATURAL

"400"=NYLON 6/6, UNFILLED UL94 V-0, COLOR: BLACK

TERMINALS:

BRASS

2. TERMINAL PLATING:

"BLANK"=.000035/(0.00090) MIN. REFLOWED MATTE TIN OVER

.000020/(0.00050) MIN. COPPER (PREPLATE)

(FINISH IS BRIGHT IN APPEARANCE, THICKNESS AS APPLIED PRIOR TO REFLOW)

GS2=.000015/(0.00038) MIN. SELECT GOLD AND

.000100/(0.00254) MIN. SELECT MATTE TIN

OVER .000050/(0.00127) MIN. NICKEL OVERALL

GS=.000030/(0.00076) MIN. SELECT GOLD AND

.000100/(0.00254) MIN. SELECT MATTE TIN

OVER .000050/(0.00127) MIN. NICKEL OVERALL

S=.000100/(0.00254) MIN. BRIGHT TIN OVER

.000050/(0.00127) MIN. NICKEL

MS=.000100/(0.00254) MIN. MATTE TIN OVER

.000050/(0.00127) MIN. NICKEL

3. PRODUCT SPECIFICATION: PS-5556-001

4. PACKAGING: TRAY PACKED PER PK-5566-002

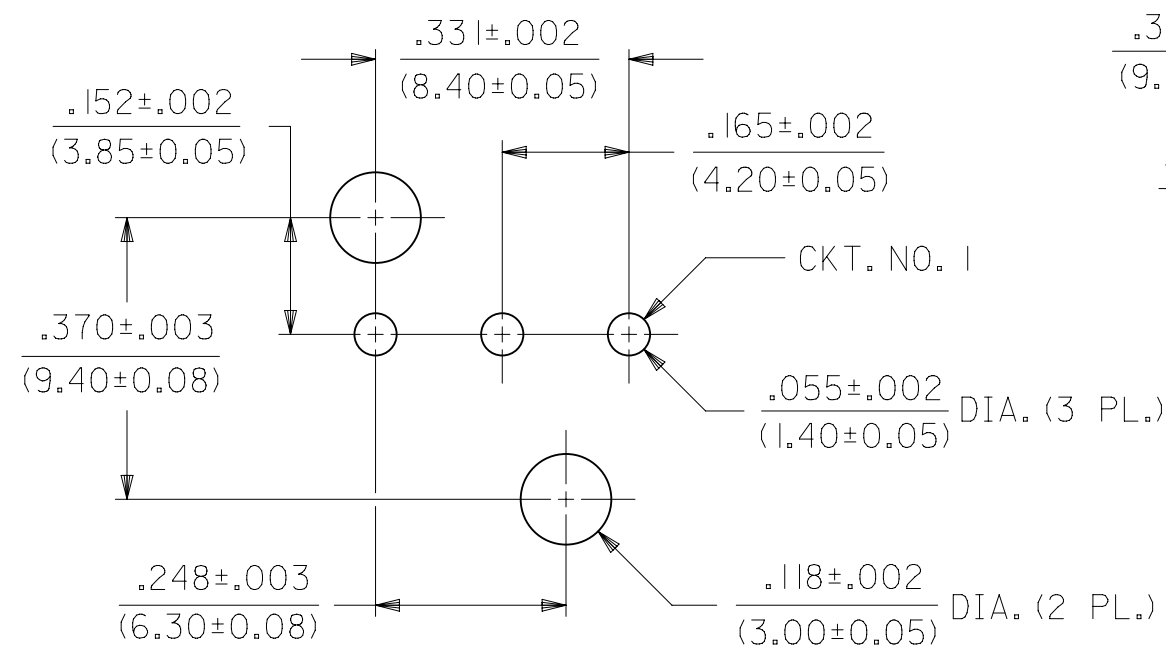
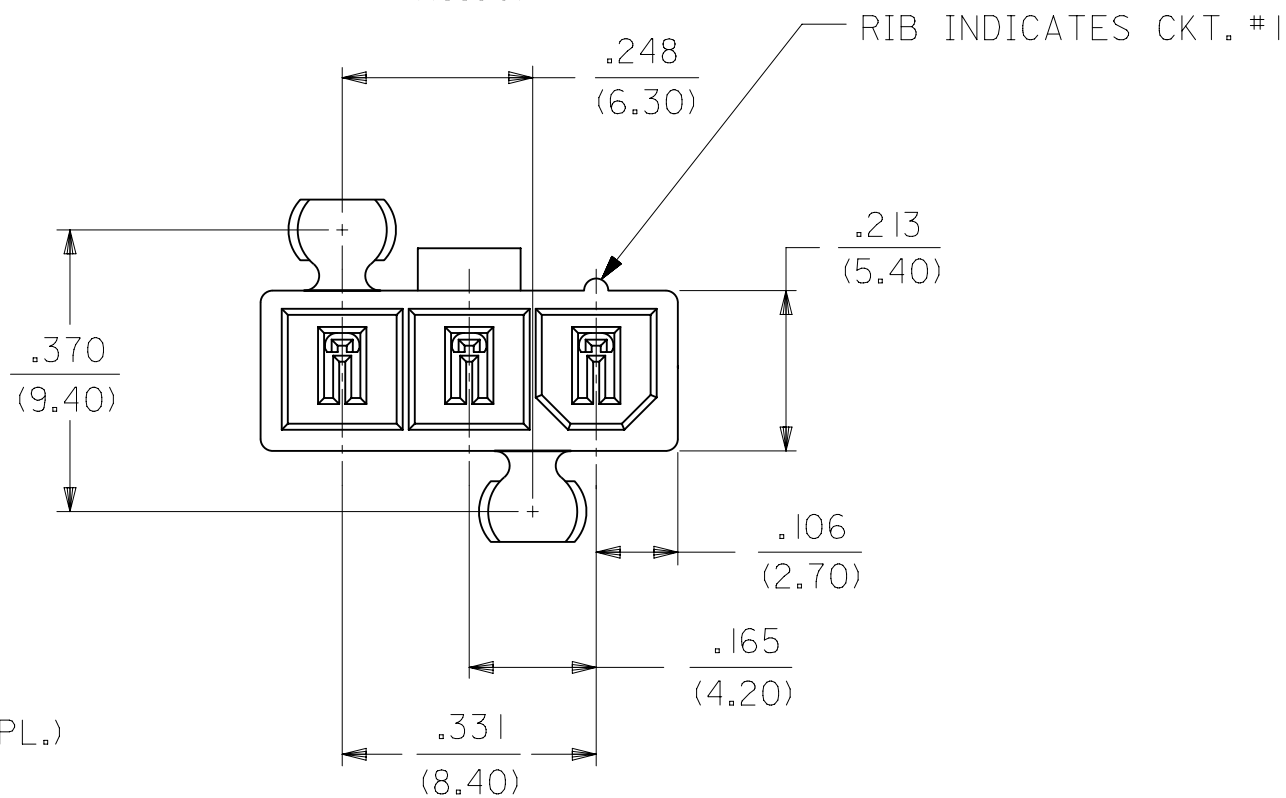
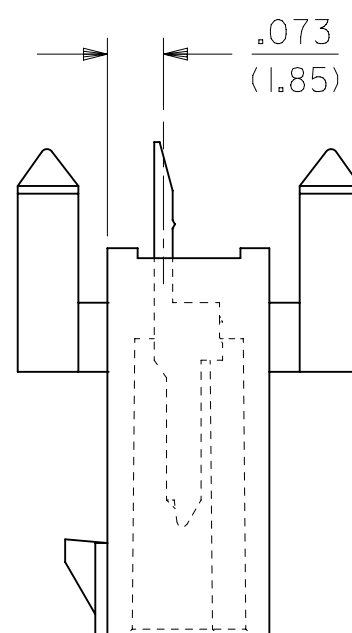
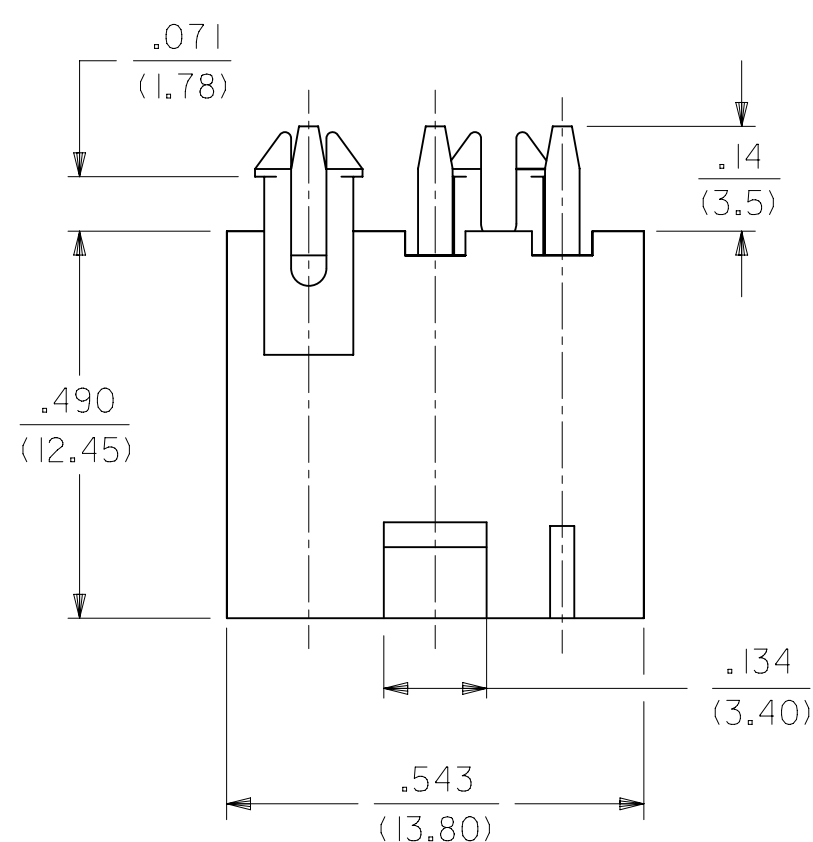
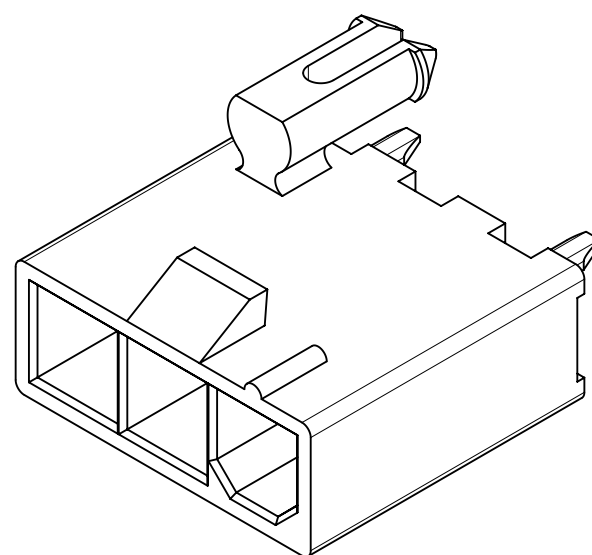
5. PART MATES WITH MINI-FIT JR. RECEPTACLE NO. 5557, 46994, MINI FIT SIGMA/TPA2 NO.200453.

6. ALL DIMENSIONS ARE REFERENCE UNLESS OTHERWISE SPECIFIED.

7. PART IS NOT DESIGNED FOR CURRENT SHARING.

8. PARTS ARE NOT TO BE MATED OR UN-MATED WHILE CIRCUITS ARE LIVE.

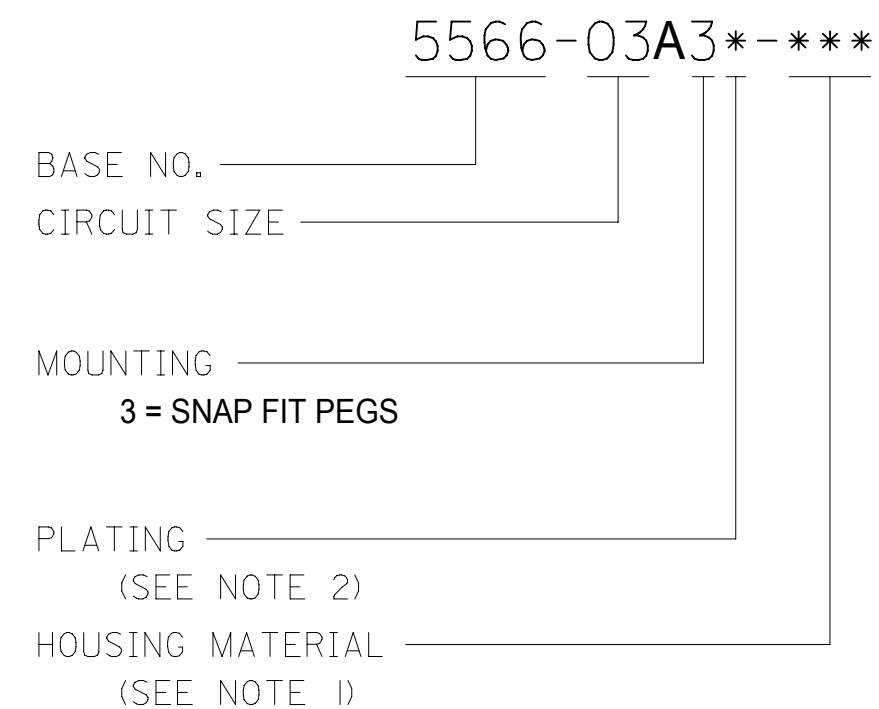
9. PART CONFORMS TO CLASS "B" REQUIREMENTS OF COSMETIC SPECIFICATION PS-45499-002.



RECOMMENDED HOLE LAYOUT FOR
.070/(1.78) MAX. THICK P. C. BOARD

PART NO.	ENG. NO.	HOUSING MAT'L. (SEE NOTE 1)	PLATING (SEE NOTE 2)
39-30-1039	5566-03A3	"BLANK"	"BLANK"
39-30-2033	-03A3GS2	↑	GS2
39-30-2031	-03A3GS	↑	GS
39-30-5037	-03A3S	↓	S
46999-0792	-03A3MS	"BLANK"	MS
39-30-2030	-03A3-210	210	"BLANK"
39-30-2034	-03A3GS2-210	↑	GS2
39-30-2032	-03A3GS-210	↑	GS
39-30-5038	-03A3S-210	↓	S
46999-0793	-03A3MS-210	210	MS
46999-0563	5566-03A3MS-400	400	MS

LEGEND



THIS DRAWING CONTAINS INFORMATION THAT IS PROPRIETARY TO MOLEX ELECTRONIC TECHNOLOGIES, LLC AND SHOULD NOT BE USED WITHOUT WRITTEN PERMISSION

DIMENSION UNITS		SCALE		CURRENT REV DESC:		molex						
IN/MM		4:1				MINIFIT JR VERT HDR ASSY W/ PEGS SR						
GENERAL TOLERANCES (UNLESS SPECIFIED)				EC NO: 806008		PRODUCT CUSTOMER DRAWING						
4 PLACES ±				DRWN: JERRYW8						2024/11/27		
3 PLACES ±		± 0.01		CHK'D: XQZHANG						2024/12/09		
2 PLACES ±		0.25 ± 0.02		APPR: XQZHANG		2024/12/09		DOCUMENT NUMBER		DOC TYPE	DOC PART	REVISION
1 PLACE ±		0.5 ±		INITIAL REVISION:		1990/06/07		55660330-SD		PSD	000	B1
0 PLACES ±				DRWN: GEP		2012/09/05		MATERIAL NUMBER		CUSTOMER		SHEET NUMBER
ANGULAR TOL ± 0.5 °				APPR: FSMITH				SEE TABLE		GENERAL MARKET		1 OF 1
DRAFT WHERE APPLICABLE MUST REMAIN WITHIN DIMENSIONS		THIRD ANGLE PROJECTION		DRAWING		SERIES		C-SIZE		5566		

THIS DRAWING REPLACES SDA-5566-03*3*