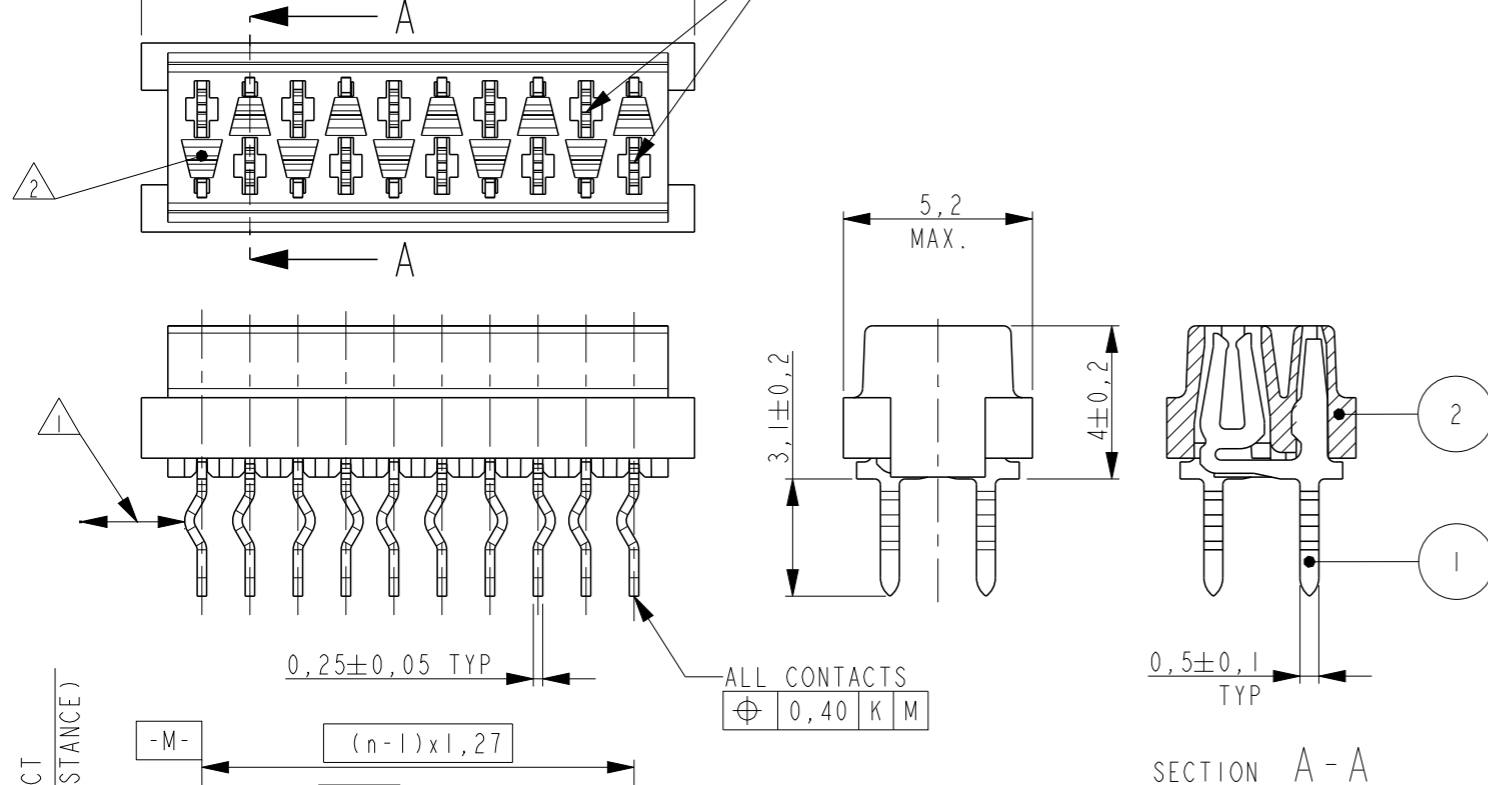


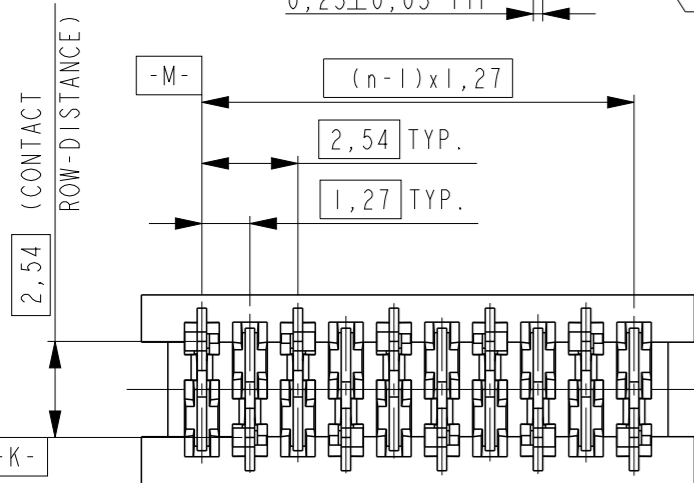
P	LTR	DESCRIPTION	DATE	DWN	APVD
	A	INITIAL RELEASE	08AUG2014	PS	JK
	A1	PN STATUS UPDATED	17MAY2021	SB	KJK
	A2	DRAWING OBSOLESCENCE	27JAN2026	LS	SRK

"A" MAX.
 REFERENCE MATING INTERFACE PATTERN:
 1,27 STAGGERED PITCH x 1,5 ROW-DISTANCE.



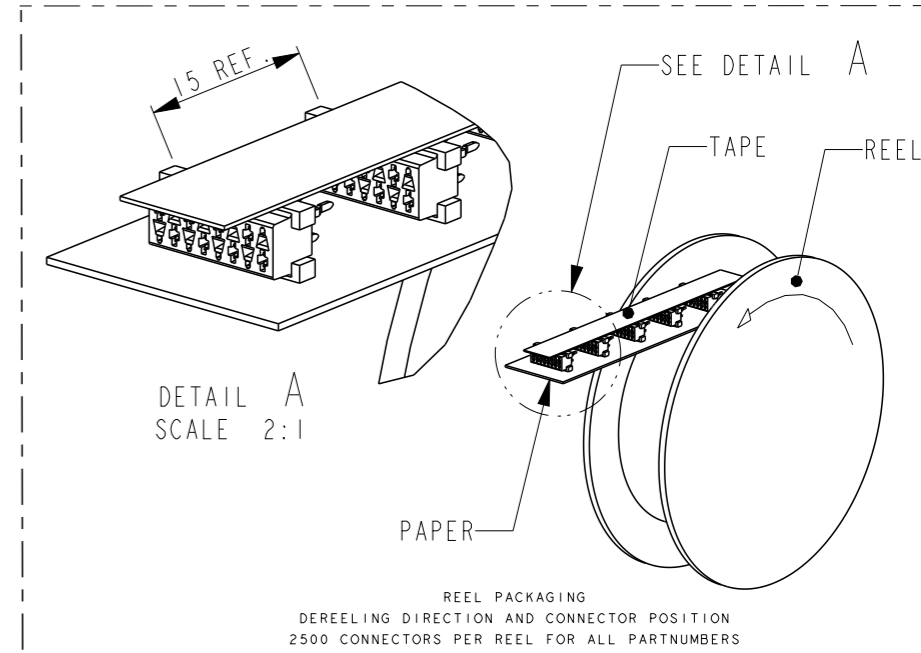
OBSOLETE
 FOR MORE INFO CHECK
 PREVIOUS REVISIONS

PARTNUMBER REEL PACKAGING	NO. OF POS. "n"	DIMENSION "A" MAX
4 2178710 4	4	7,1
4 2178710 6	6	9,7
4 2178710 8	8	12,2
4 + 2178710 0	10	14,7
4 + 2178710 2	12	17,3
4 + 2178710 4	14	19,8
4 + 2178710 6	16	22,4
4 + 2178710 8	18	24,9
4 2 2178710 0	20	27,4

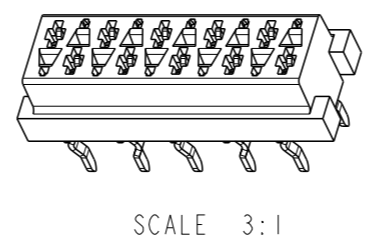
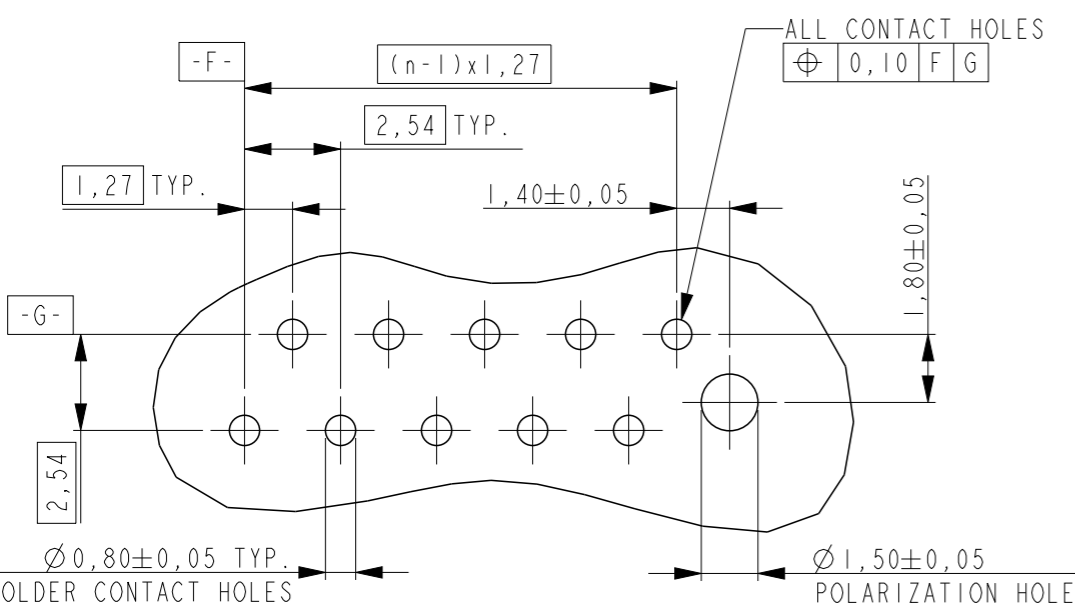


NOTES:

- 1 IN EACH ROW, DIRECTION OF KINKS STARTS RANDOM. IN EACH ROW, SEQUENTIAL CONTACTS HAVE OPPOSITE KINK DIRECTIONS.
- 2 CORING-OUTS FOR MANUFACTURING PURPOSE ONLY. SHAPE MAY VARY, BUT IS NOT FUNCTIONAL FOR THE APPLICATION.
- 3 SHOWN IS A 10 POSITION CONNECTOR.
- 4 OBSOLETE



PC-BOARD HOLE LAYOUT
 (COMPONENT SIDE OF BOARD SHOWN)



THIS DRAWING IS A CONTROLLED DOCUMENT.

DIMENSIONS: mm	TOLERANCES UNLESS OTHERWISE SPECIFIED:
	0 PLC ±-
	1 PLC ±-
	2 PLC ±-
	3 PLC ±-
	4 PLC ±-
	ANGLES ±-
MATERIAL SEE TABLE	FINISH SEE TABLE

2	FEMALE HOUSING	PBT	BLACK		
1	FEMALE CONTACT	TIN BRASS	3.0 -5.0µm TIN OVER 0.5µm NICKEL		
ITEM NO.	COMPONENT DESCRIPTION	MATERIAL	FINISH / COLOR		
DWN	25JUL2014	TE Connectivity Micro-MaTch VALUE LINE FEMALE-ON-BOARD TOP ENTRY, THRU-HOLE CONNECTOR			
CHK	02AUG2014				
APVD	06AUG2014				
PRODUCT SPEC	JAYANTH KUMAR				
APPLICATION SPEC	108-32087	SIZE	CAGE CODE	DRAWING NO	RESTRICTED TO
WEIGHT	-	A3	00779	C=2178710	
CUSTOMER DRAWING	SCALE	SHEET	OF	REV	
	5:1	1	1	A2	