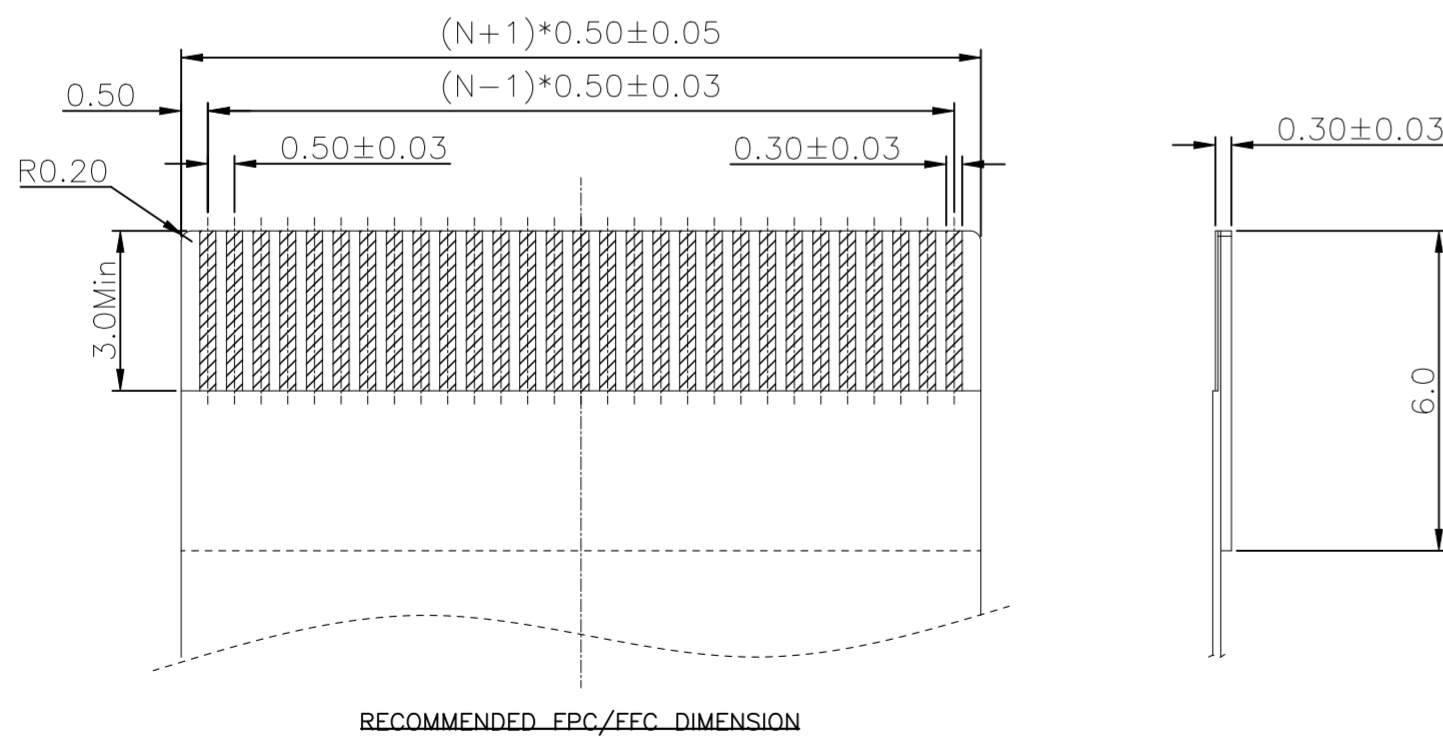
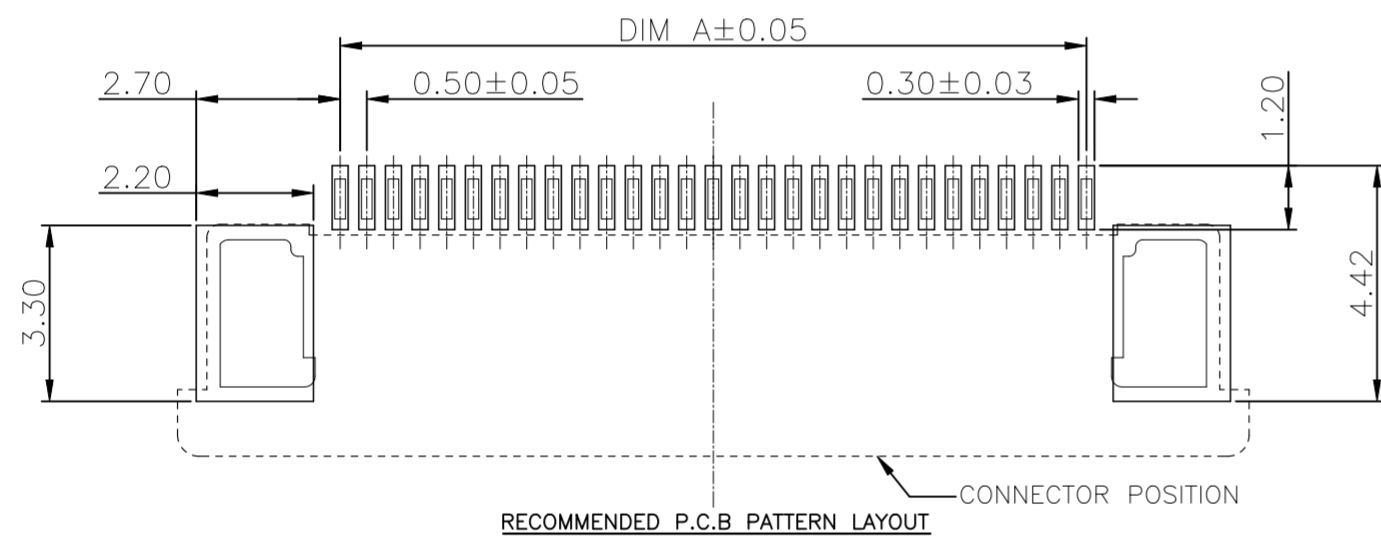
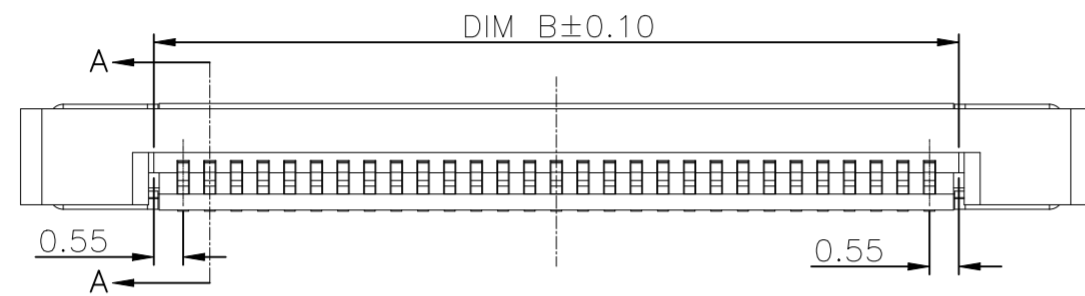
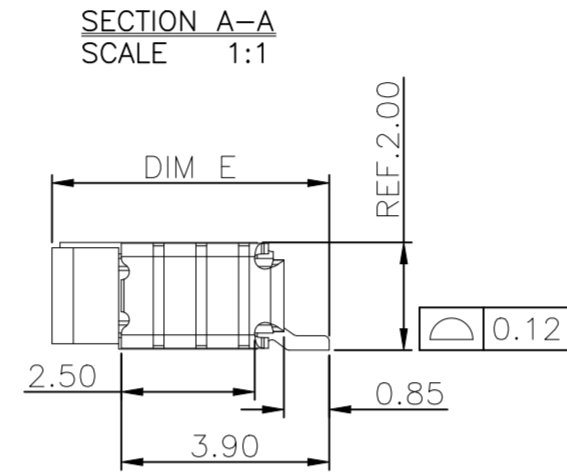
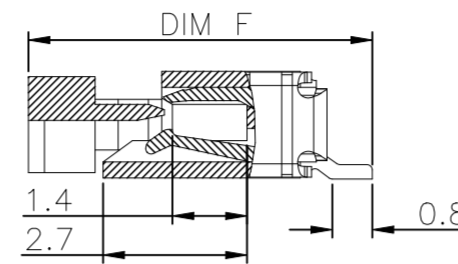
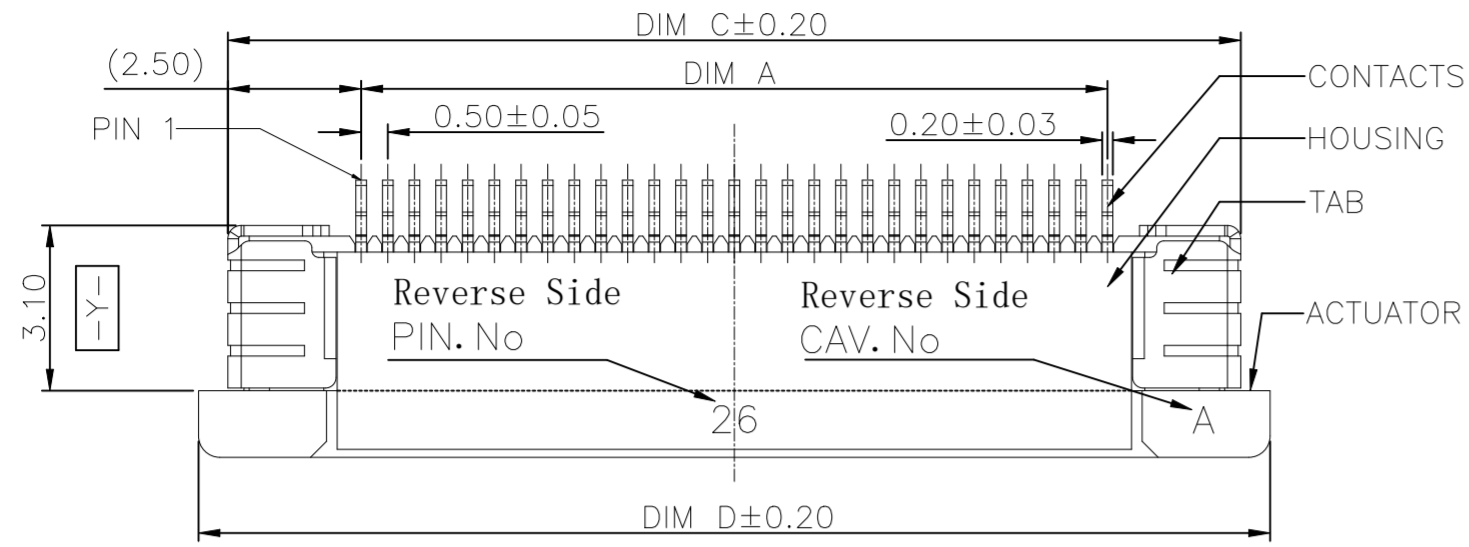


REVISIONS					
P	LTR	DESCRIPTION	DATE	DWN	APVD
A		Initial Release	03APR2025	MS	JM



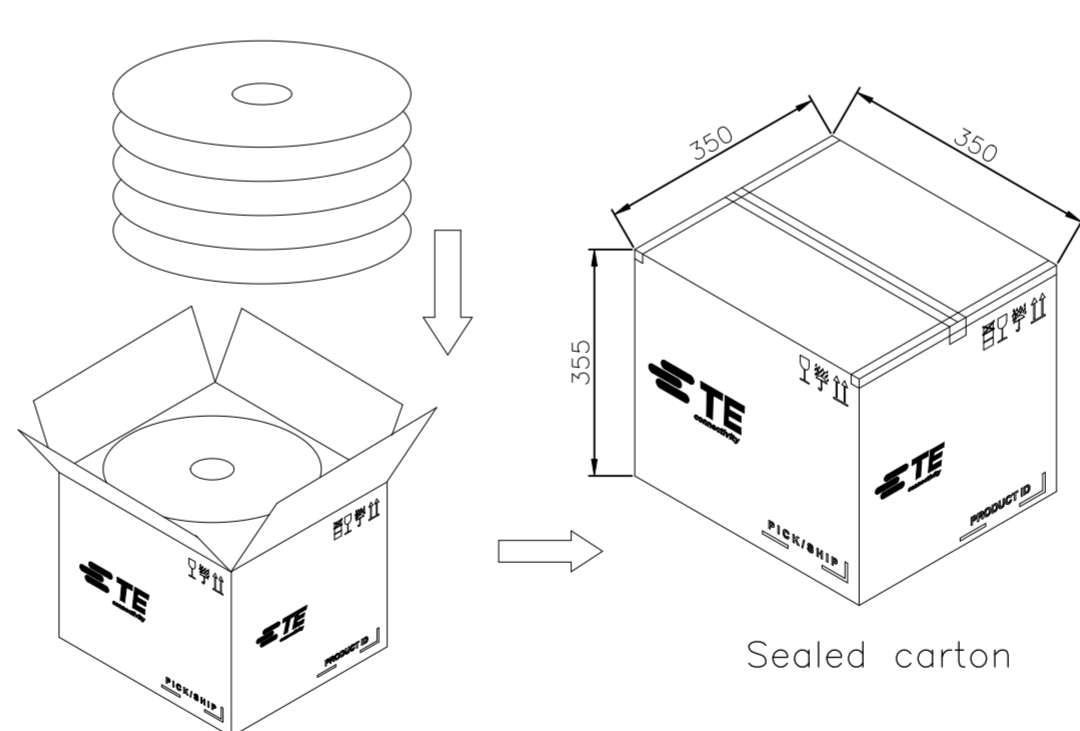
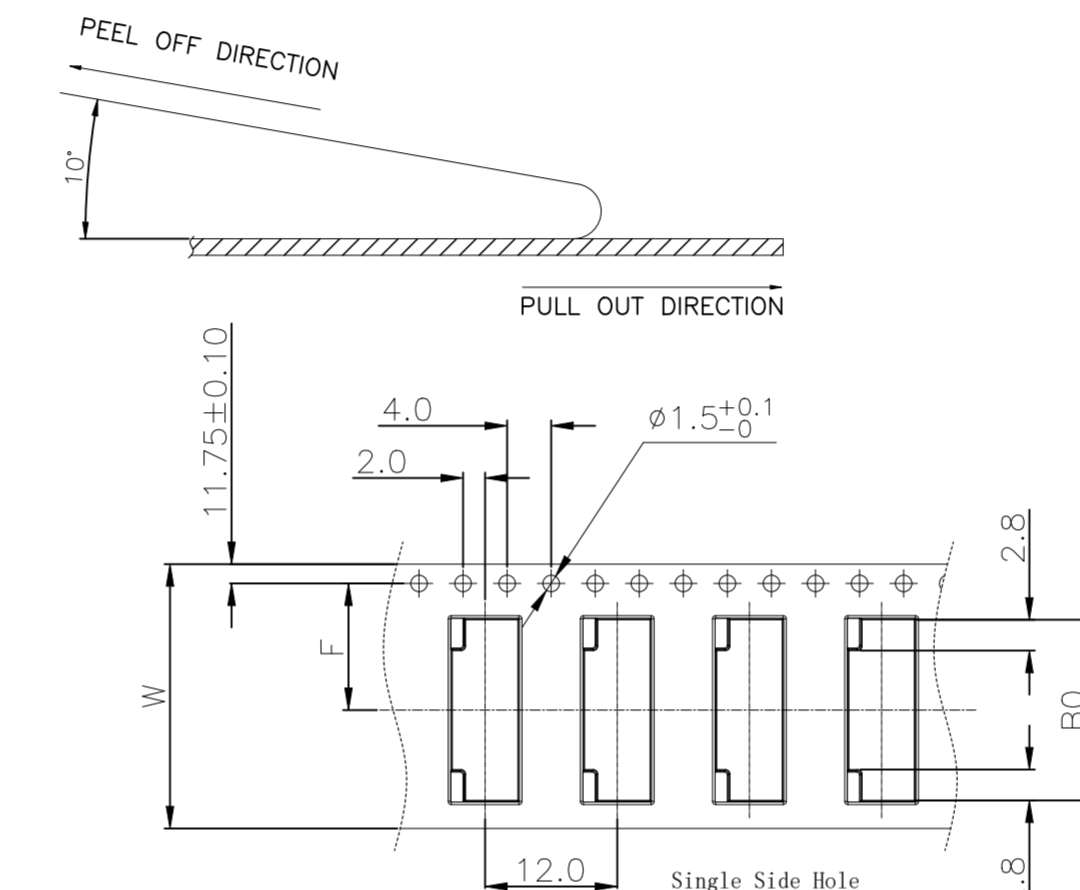
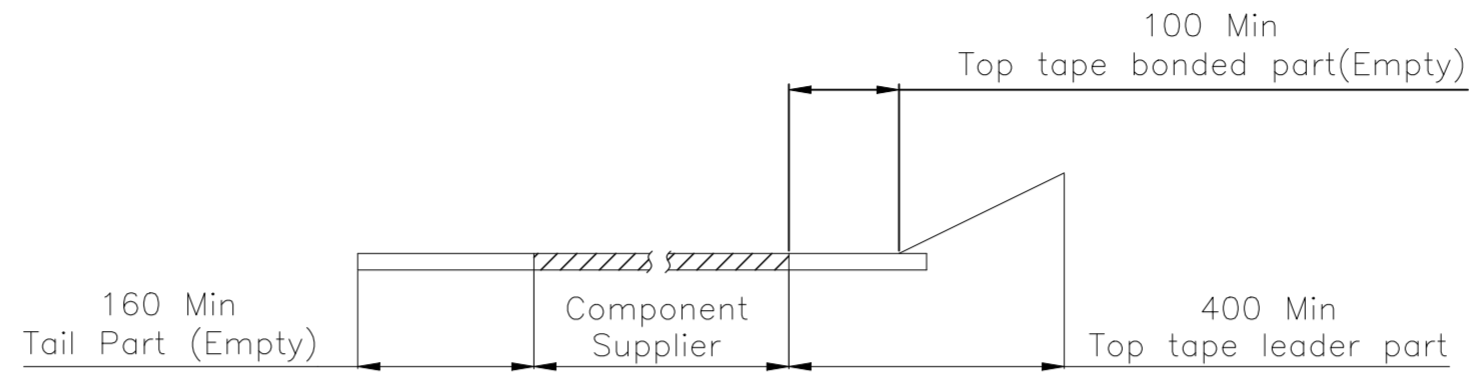
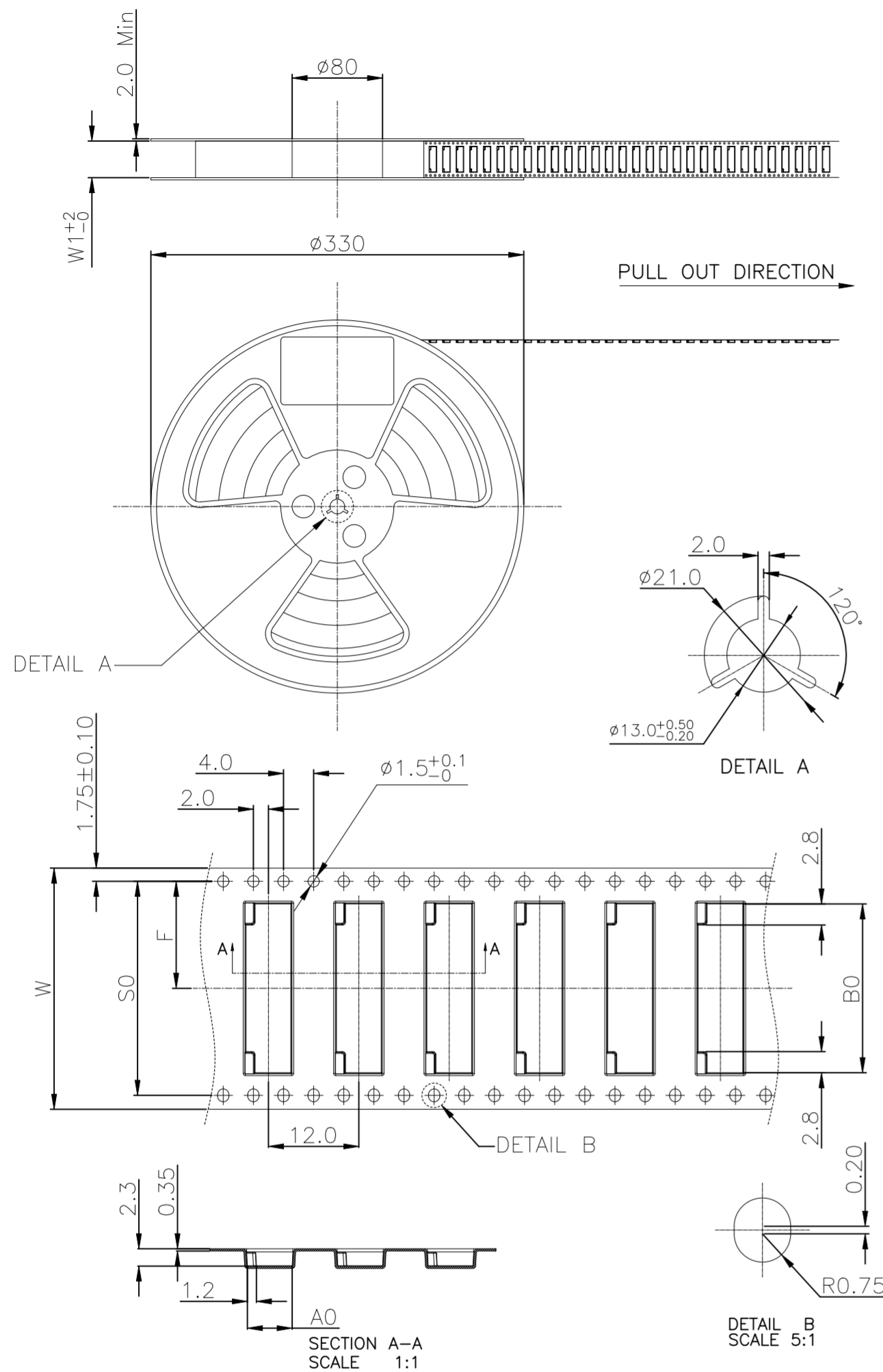
NOTE:

- PRODUCT COMPLIANCE MET TE SPEC: TEC-138-702
- MATERIAL:
HOUSING: LCP UL 94V-0.NATURAL COLOR
ACTUATOR: LCP UL 94V-0.BLACK COLOR
CONTACTS:PHOSPHOR BRONZE.
TAB:BRASS.
 - FINISH:
CONTACTS:GOLD FLASH ON SOLDERING AREA.
TABS: 120u" MIN.MATTE-TIN OVER 50u" MIN NICKEL.
 - REFLOW SOLDER CAPABLE TO 260°C AS PER TE SPEC 109-201, CONDITION B.
 - NO TE LOGO AND DATE CODE ON THE PRODUCT.

7.00	5.75	35.60	34.50	30.60	29.50	60	6-2492104-0
		33.10	32.00	28.10	27.00	55	5-2492104-5
		32.60	31.50	27.60	26.50	54	5-2492104-4
		30.60	29.50	25.60	24.50	50	5-2492104-0
		28.10	27.00	23.10	22.00	45	4-2492104-5
		25.60	24.50	20.60	19.50	40	4-2492104-0
		23.60	22.50	18.60	17.50	36	3-2492104-6
		23.10	22.00	18.10	17.00	35	3-2492104-5
		22.60	21.50	17.60	16.50	34	3-2492104-4
		22.10	21.00	17.10	16.00	33	3-2492104-3
6.45	5.20	21.60	20.50	16.60	15.50	32	3-2492104-2
		20.60	19.50	15.60	14.50	30	3-2492104-0
		19.60	18.50	14.60	13.50	28	2-2492104-8
		18.60	17.50	13.60	12.50	26	2-2492104-6
		17.60	16.50	12.60	11.50	24	2-2492104-4
		16.60	15.50	11.60	10.50	22	2-2492104-2
		15.60	14.50	10.60	9.50	20	2-2492104-0
		15.10	14.00	10.10	9.00	19	1-2492104-9
		14.60	13.50	9.60	8.50	18	1-2492104-8
		14.10	13.00	9.10	8.00	17	1-2492104-7
		13.60	12.50	8.60	7.50	16	1-2492104-6
		13.10	12.00	8.10	7.00	15	1-2492104-5
		12.60	11.50	7.60	6.50	14	1-2492104-4
		12.10	11.00	7.10	6.00	13	1-2492104-3
		11.60	10.50	6.60	5.50	12	1-2492104-2
		11.10	10.00	6.10	5.00	11	1-2492104-1
		10.60	9.50	5.60	4.50	10	1-2492104-0
		10.10	9.00	5.10	4.00	9	2492104-9
9.60	8.50	4.60	3.50	8	2492104-8		
9.10	8.00	4.10	3.00	7	2492104-7		
8.60	7.50	3.60	2.50	6	2492104-6		
8.10	7.00	3.10	2.00	5	2492104-5		
7.60	6.50	2.60	1.50	4	2492104-4		
DIM F	DIM E	DIM D	DIM C	DIM B	DIM A	PIN	TE PN

THIS DRAWING IS A CONTROLLED DOCUMENT.		DWN Madhan S 18DEC2024					
DIMENSIONS: mm [INCHES]		CHK Jagruti M 18DEC2024					
TOLERANCES UNLESS OTHERWISE SPECIFIED:		APVD Jagruti M 03APR2025	NAME				
0 PLC ± -		PRODUCT SPEC	FPC CONN				
1 PLC ± 0.35		APPLICATION SPEC	0.5mm Pitch, right angle, Bottom, SMT				
2 PLC ± 0.25		108-161737	SIZE	CAGE CODE	DRAWING NO	RESTRICTED TO	
3 PLC ± -		-	A2	00779	C=2492104	-	
4 PLC ± -		See Note	WEIGHT	SCALE		SHEET	REV
ANGLES ± 3°		See Note	0	1:1		1 of 2	A
MATERIAL		FINISH	CUSTOMER DRAWING				
See Note		See Note					

REVISIONS					
P	LTR	DESCRIPTION	DATE	DWN	APVD
-	-	SEE SHEET 1	-	-	-



- NOTES:
1. 10 SPROCKET HOLE PITCH CUMULATIVE TOLERANCE.±0.20mm
 2. CARRIER CAMBER NOT TO EXCEED 1mm IN 250mm.
 3. ALL DIMENSIONS MEET EIA-481-C REQUIREMENTS.
 4. MATERIAL: CARRIER TAPE MATERIAL FOR PS; COLOR: BLACK REEL FOR PS; COLOR:BLIE. COVER TAPE FOR PET; COLOR: TRANSPARENT
 5. THICKNESS: 0.35 ± 0.05 mm.
 6. PACKING LENGTH PER 13" REEL : 24.60METERS.
 7. COMPONENT LOAD PER 13" REEL : 2000PCS.
 8. PEELING OFF FORCE OF TOP TAPE 0.1N~0.7N(10.2gf~100gf).

POS	BO±0.10	A0±0.10	W	W1	F	QTY/BOX	S0±0.10
60	35.90	6.5	56±0.30	56.4	26.2±0.15	10000	52.4
55	33.40		44±0.30	44.4	20.2±0.15	12000	40.4
54	32.90						
50	30.90						
45	28.40						
40	25.90						
36	23.90	5.95					
35	23.40						
34	22.90						
33	22.40						
32	21.90						
30	20.90		24+0.3/-0	24.4	11.5±0.10	20000	Single Side Hole
28	19.90						
26	18.90						
24	17.90						
22	16.90						
20	15.90	16+0.3/-0					
19	15.40						
18	14.90						
17	14.40						
16	13.90						
15	13.40						
14	12.90						
13	12.40						
12	11.90						
11	11.40						
10	10.90						
9	10.40						
8	9.90						
7	9.40						
6	8.90						
5	8.40						
4	7.90						

THIS DRAWING IS A CONTROLLED DOCUMENT.		DWN Madhan S 18DEC2024	STE TE Connectivity	
DIMENSIONS: mm [INCHES]		CHK Jagruti M 18DEC2024		
TOLERANCES UNLESS OTHERWISE SPECIFIED:		APVD Jagruti M 03APR2025	NAME	
0 PLC ± -		PRODUCT SPEC	FPC CONNECTOR	
1 PLC ± 0.35		APPLICATION SPEC	0.5mm Pitch, right angle, Bottom, SMT	
2 PLC ± 0.25		108-161737	SIZE A2	CAGE CODE 00779
3 PLC ± -		WEIGHT 0	DRAWING NO C=2492104	RESTRICTED TO -
4 PLC ± -		CUSTOMER DRAWING	SCALE 1:1	SHEET 2 OF 2
ANGLES ± 3°				REV A
MATERIAL See Note				
FINISH See Note				