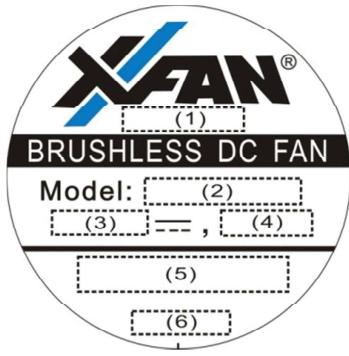


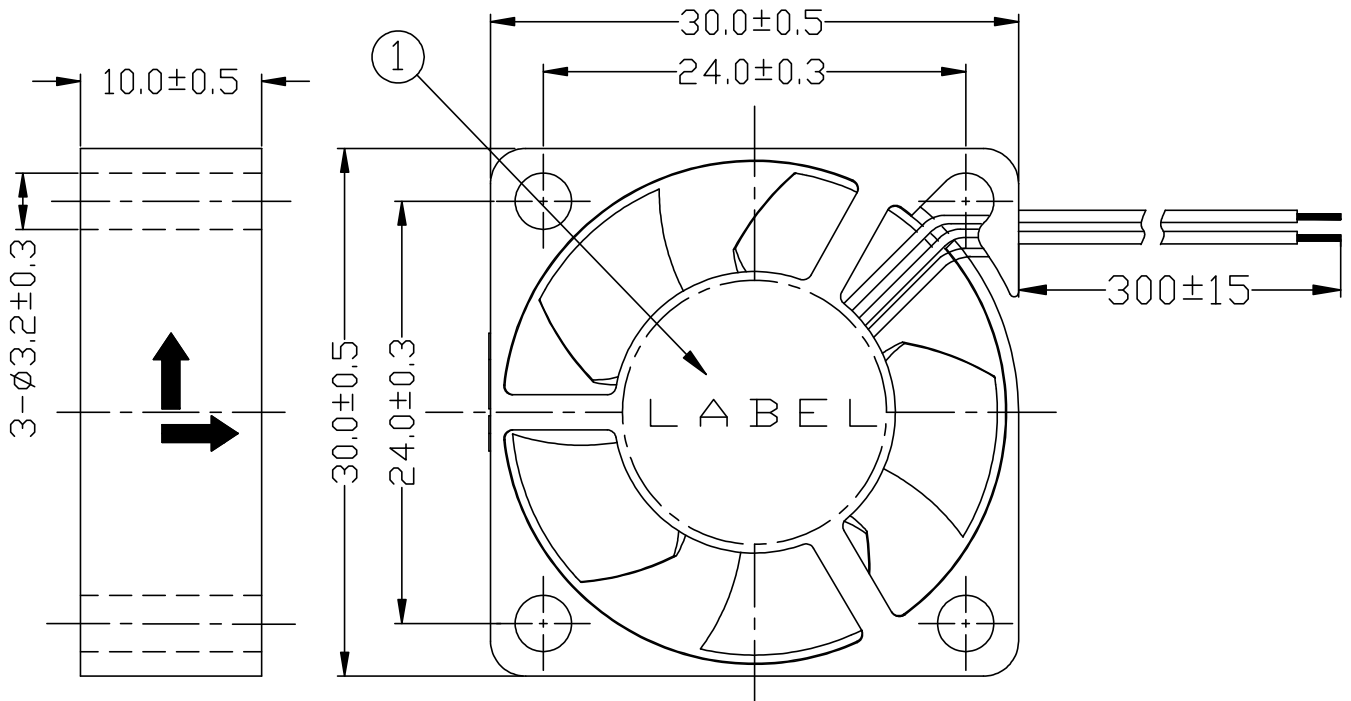
9. Label



(1)	Date Code
(2)	Model No.
(3)	Voltage
(4)	Current
(5)	Safety Approvals
(6)	Location

10. Dimension Drawing

Unit: mm



Lead Wire: UL1061;28AWG; Red Positive(+); Black Negative(-)

No.	Qty	Part Name	Description
①	1	Label	