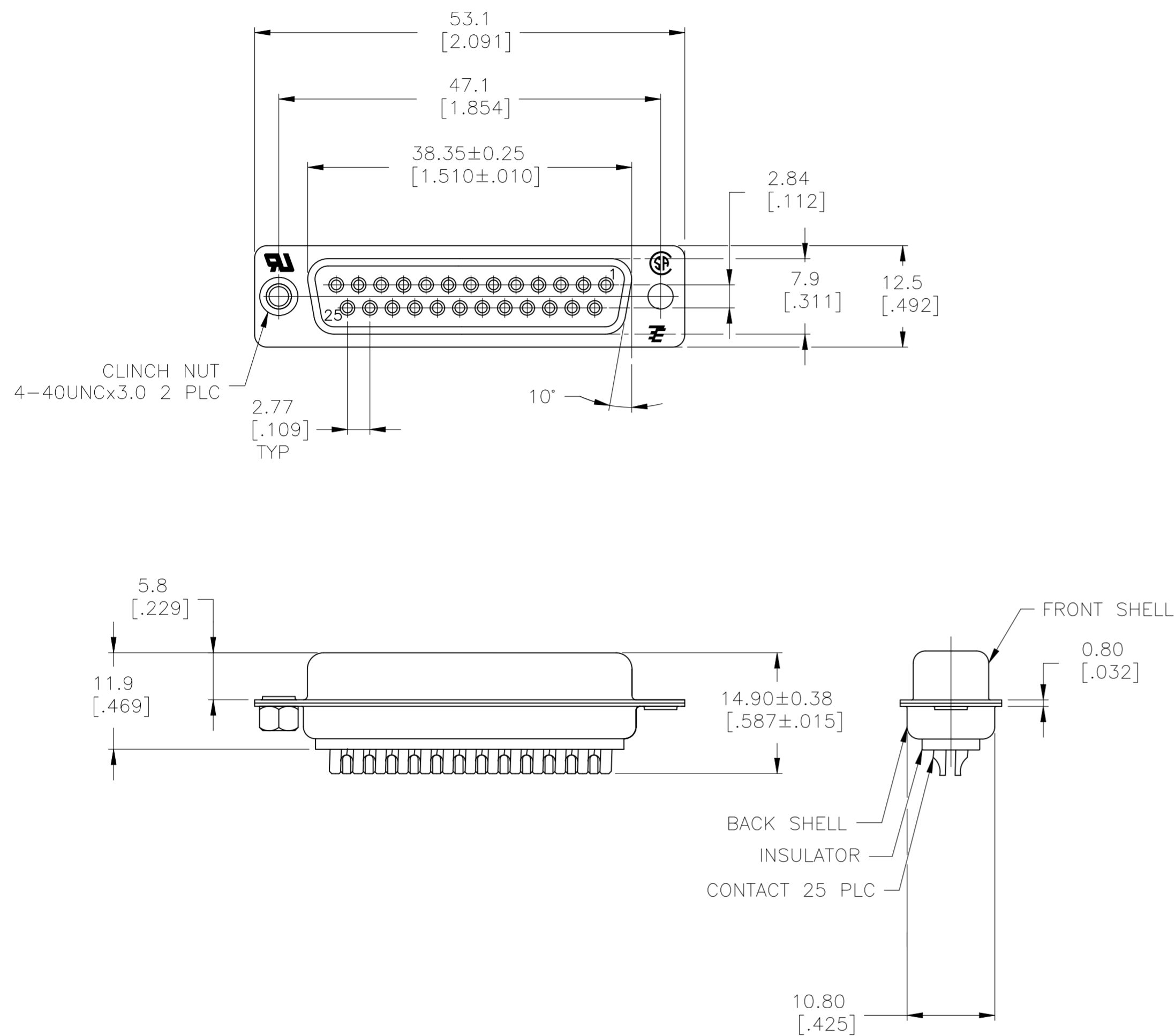


REVISIONS					
P	LTR	DESCRIPTION	DATE	DWN	APVD
AB1		REVISED PER ECN-26-381559	24DEC2025	AP	SKN



- 1 MATERIAL:  
FRONT INSULATOR: PBT, 30 %GF, UL94V-0, BLACK COLOR  
BACK INSULATOR: PBT, 30 %GF, UL94V-0, BLACK COLOR  
CONTACT: BRASS  
FRONT SHELL: STEEL  
BACK SHELL: STEEL  
CLINCH NUTS: BRASS
- 2 FINISH:  
CONTACT: GOLD PLATING 0.00002[.0000008] MIN ON CONTACT AREA 0.00229 [.000090] MIN TIN-LEAD PLATING ALL OVER 0.00127[.000050] MIN NICKEL
- 3 CONTACT: GOLD PLATING 0.00076[.000030] MIN ON CONTACT AREA 0.00229 [.000090] MIN TIN-LEAD PLATING ALL OVER 0.00127[.000050] MIN NICKEL
- 4 SHELL: BRIGHT TIN 0.00241[.000095] MIN FULL SHELL
- 5 SHELL: BLUE ZINC: 0.00508[.000200] - 0.00762[.000300] OVER ENTIRE SHELL
- 6 CONTACT: GOLD PLATING 0.00002[.0000008] MIN ON CONTACT AREA 0.00229 [.000090] MIN HOT DIPPED TIN-COPPER PLATING ALL OVER 0.00127[.000050] MIN NICKEL
- 7 CLINCH NUTS: NICKEL PLATING .00305-.00508[.000120-.000200]
- 8 SPECIFICATION  
ELECTRICAL CHARACTERISTICS: CURRENT RATING: 3 AMPERES  
DIELECTRIC WITHSTANDING VOLTAGE: AC 1000V r.m.s  
INSULATION RESISTANCE: 5000 MEGOHMS MINIMUM AT DC 500V  
CONTACT RESISTANCE: 10 MILLIOHMS MAXIMUM.
- 9 ROHS 2002/95/EC COMPLIANT
- 10 RECEPTACLE ASSEMBLY MATES WITH ANY 25 POSITION PLUG IN AMPLIMITE SERIES
- 11 SOLDER CUP WILL ACCOMMODATE 20 MAX AWG WIRE.
- 12 CONTACT: GOLD PLATING 0.00076[.000030] MIN OR GOLD FLASH OVER PALLADIUM NICKEL PLATE, 0.00076[.000030] MIN ON CONTACT AREA 0.00229[.000090] MIN HOT DIPPED TIN-COPPER ALL OVER 0.00127[.000050] MIN NICKEL PLATING

9	OBSOLETE	STANDARD	NO	12	5	5-747913-6
9	OBSOLETE	STANDARD	NO	6	5	5-747913-4
9	OBSOLETE	STANDARD	YES	6	4	5-747913-9
		STANDARD	NO	12	4	5-747913-5
		STANDARD	NO	6	4	5-747913-2
	SUPERSEDED TO 5-747913-9	STANDARD	YES	2	4	747913-9
	SUPERSEDED TO 5-747913-2	STANDARD	NO	6	4	747913-8
	SUPERSEDED TO 5-747913-6	STANDARD	NO	2	5	747913-6
	SUPERSEDED TO 5-747913-5	STANDARD	NO	3	4	747913-5
	SUPERSEDED TO 5-747913-4	STANDARD	NO	2	5	747913-4
	SUPERSEDED TO 5-747913-2	STANDARD	NO	2	4	747913-2
		PACKAGING TYPE		7		CLINCH NUTS
						CONTACTS
						SHELLS
						PART NO.

THIS DRAWING IS A CONTROLLED DOCUMENT. DIMENSIONING AND TOLERANCING PER ASME Y14.5M-2009		DWN M.BINNER 04MAR03	TE Connectivity	
DIMENSIONS: mm [INCHES]		CHK R.BENDORF 05MAR03	RECEPTACLE ASSEMBLY, SOLDER CUP, SIZE 3, 25 POSN, HD-20, AMPLIMITE	
TOLERANCES UNLESS OTHERWISE SPECIFIED: 0 PLC ± - 1 PLC ± 0.25 2 PLC ± 0.13 3 PLC ± 0.05 4 PLC ± - ANGLES ± 4°		APVD R.BENDORF 05MAR03	NAME	
MATERIAL		PRODUCT SPEC	SIZE	
FINISH SEE TABLE		APPLICATION SPEC	CAGE CODE	
1		WEIGHT	DRAWING NO	
		CUSTOMER DRAWING	RESTRICTED TO	
		SCALE	SHEET	
		2:1	1 OF 1	
			REV	
			AB1	