

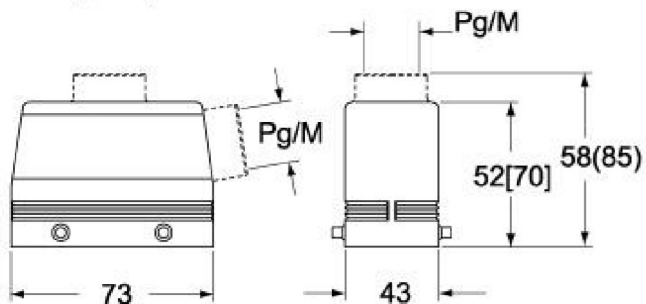
Part number

CHO 10

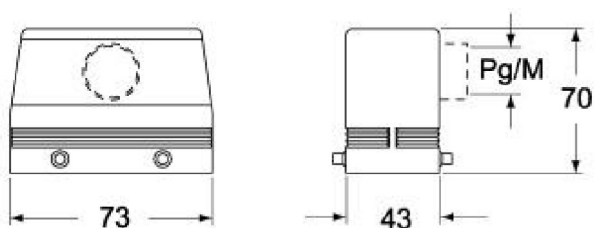


Catalogue drawings

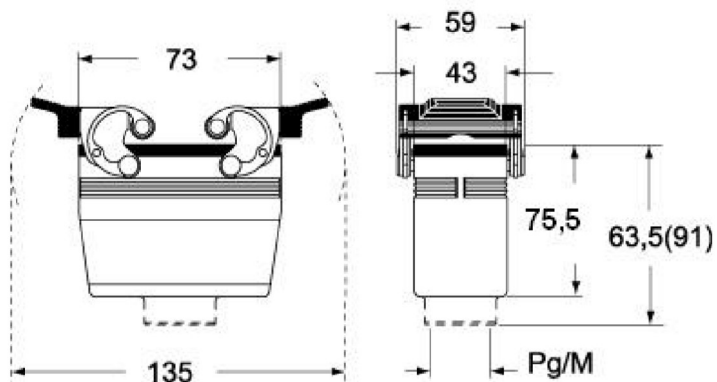
**CHO [CAO] CHV (CAV) - MHO [MAO]
MHV (MAV)**



CAF - MAF/MFF



CHV G (CAV G) - MHV G (MAV G) - [MFV G]



Notes

Dimensions shown in mm are not binding and may be changed without notice.