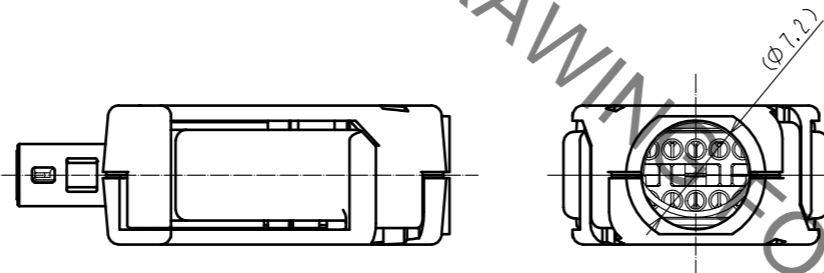
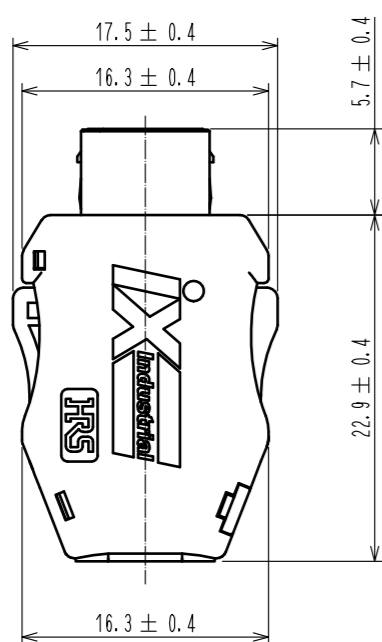
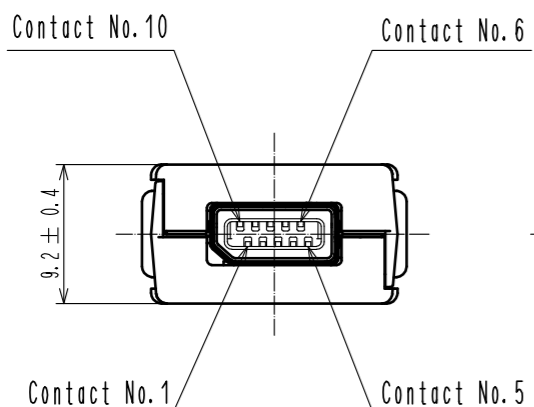
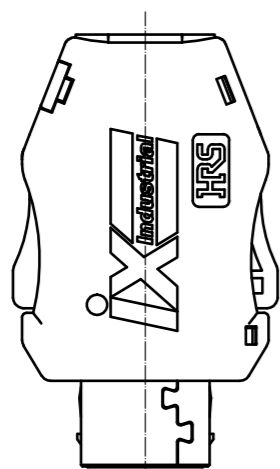


Jan.1.2021 Copyright 2021 HIROSE ELECTRIC CO., LTD. All Rights Reserved.
In case of consideration for using Automotive equipment / device which demand high reliability, kindly contact our sales window correspondents.

△ (Part No.4 shape change)



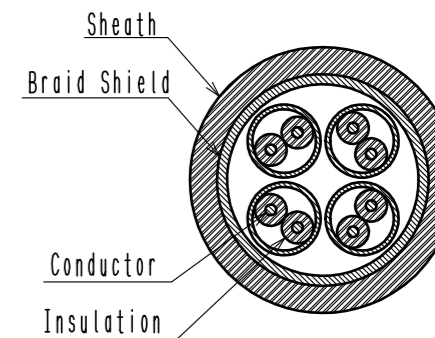
② Pin Assignment For 10/100 Mbit/s And 1/10 Gbit/s Ethernet

Contact No.	Signal	
	10/100 Mbit/s	1/10 Gbit/s
1	TX+	BI_DA+
2	TX-	BI_DA-
3	N. C	N. C
4	N. C	BI_DC+
5	N. C	BI_DC-
6	RX+	BI_DB+
7	RX-	BI_DB-
8	N. C	N. C
9	N. C	BI_DD+
10	N. C	BI_DD-

Notes. 1. Applicable cable condition is shown below.
In case of using a not applicable cable, please contact our sales representative.
Refer to the technical specification (ETAD-E3162-00) for wiring and assembly procedure.

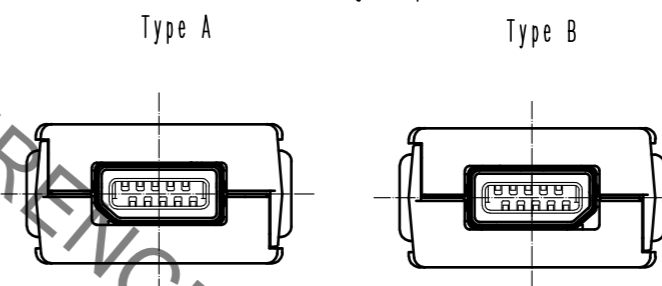
Applicable Cable

Items		Applicable Condition
Conductor	Size	AWG#28 to 26
	Composition	7 stranded
	Material	Annealed copper wire
Insulation O. D.		φ 0.95 to 1.05mm
Braid Shield		Tin plating
Sheath O. D.		φ 6.3 to 7.2mm



② This product (Type A) is defined for 10/100 Mbit/s and 1/10 Gbit/s Ethernet communication. Please use Type B for all other non Ethernet applications like signaling, serial or other industrial bus communication systems.

Mating Shape



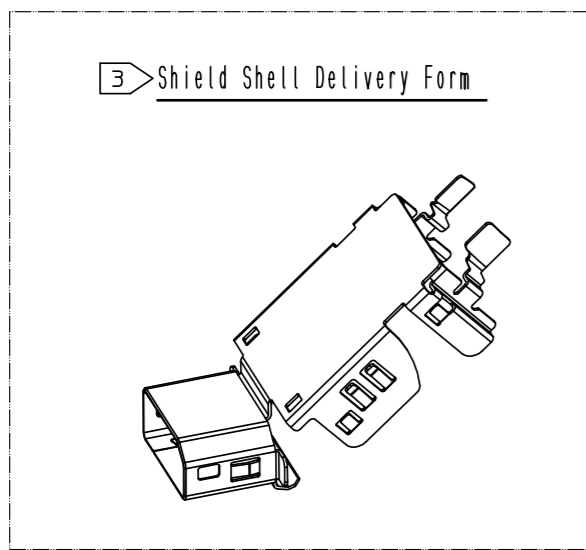
③ This product except plug unit is packed separately by the types of parts.
Shield Shell is packed in pre-bended state. (See next page.)

NO.	MATERIAL	FINISH	REMARKS	NO.	MATERIAL	FINISH	REMARKS
4	PA		Black, UL94V-0	8	PC		Dark gray, UL94V-0
3	Stainless Steel			7	Stainless Steel		Nickel 0.2 μm min
2	PA		Black, UL94V-0	6	Stainless Steel		Nickel 1 μm min
1	Copper Alloy		Contact area : Gold 0.2 μm min Wiring area : Gold 0.03 μm min Under plating : Nickel 2 μm min	5	PC		Clear, UL94V-0

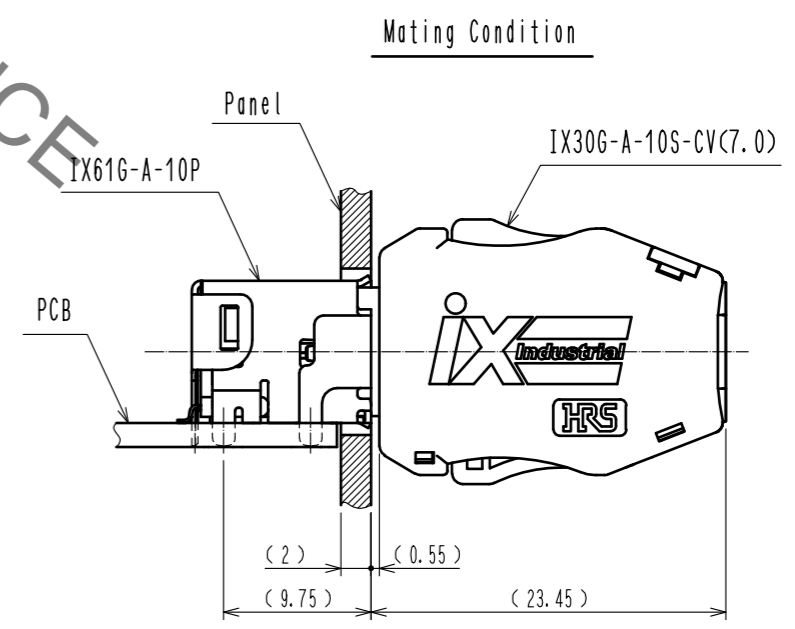
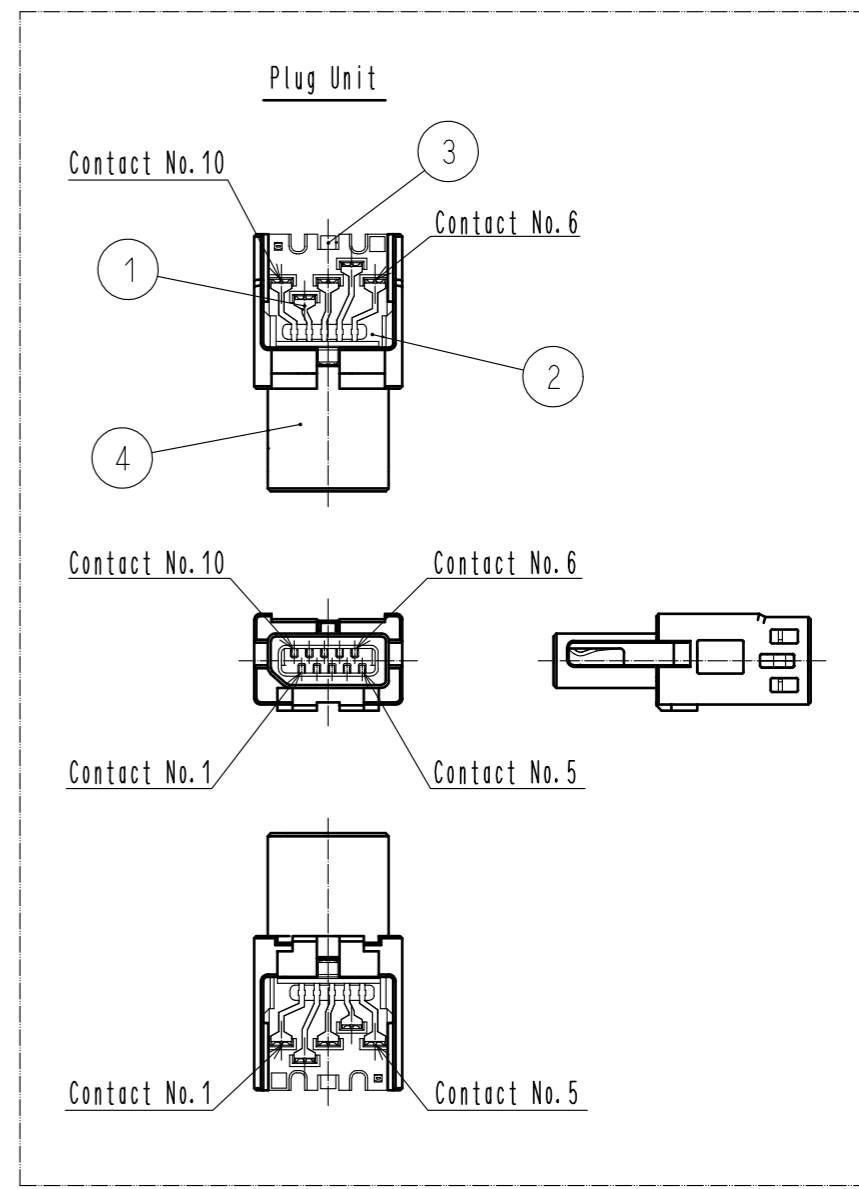
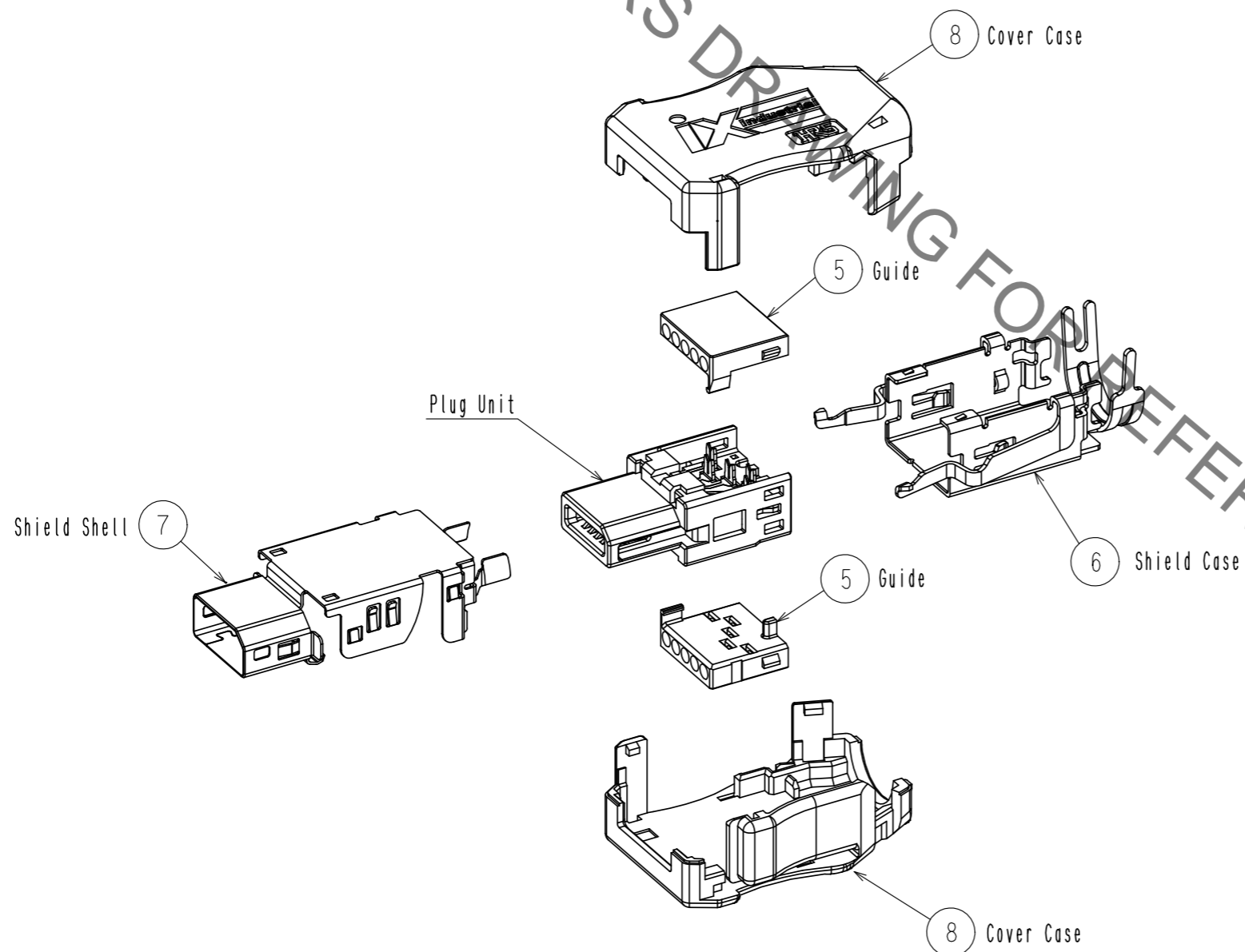
UNITS	SCALE	COUNT	DESCRIPTION OF REVISIONS	DESIGNED	CHECKED	DATE
mm	2 : 1	1	DIS-E-00003265	KI. KAGOTANI	MN. KENJO	20200925

APPROVED	CHECKED	DESIGNED	DRAWN	DRAWING NO.	PART NO.	CODE NO.
RI. TAKAYASU	KI. NAGANUMA	HT. SATO	HT. SATO	EDC-129419-00-00	IX30G-A-10S-CV(7.0)	CL251-0020-0-00
20170324	20170324	20170324	20170324			

Jan.1.2021 Copyright 2021 HIROSE ELECTRIC CO., LTD. All Rights Reserved.
 In case of consideration for using Automotive equipment / device which demand high reliability, kindly contact our sales window correspondents.



HRS DRAWING FOR REFERENCE



HRS	DRAWING NO.	EDC-129419-00-00
	PART NO.	IX30G-A-10S-CV(7.0)
	CODE NO.	CL251-0020-0-00
		4/2